



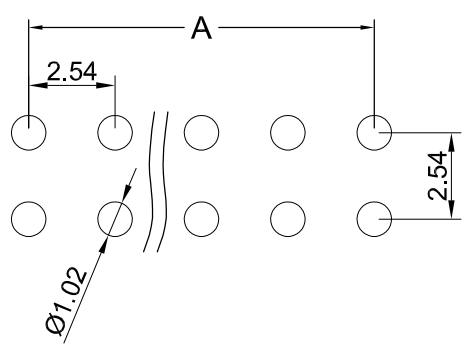
THE DATASHEET OF
2-1634688-6



THIS DRAWING IS UNPUBLISHED. RELEASED FOR PUBLICATION 14JAN, 2004.
 © COPYRIGHT 2004 By - ALL RIGHTS RESERVED.

LOC	DIST	REVISIONS			
P	LTR	DESCRIPTION	DATE	DWN	APVD
	C	ECR-06-021030	22SEP06	AM	FWK
	C1	REVISED PER ECO-10-000444	18JAN10	KK	HMR
	C2	ECR-10-022205	01FEB11	KK	HMR

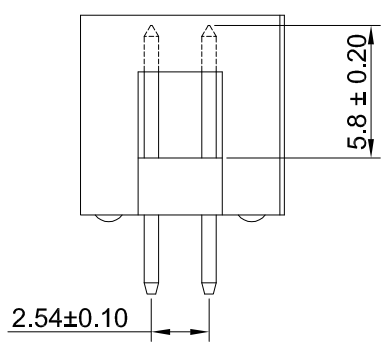
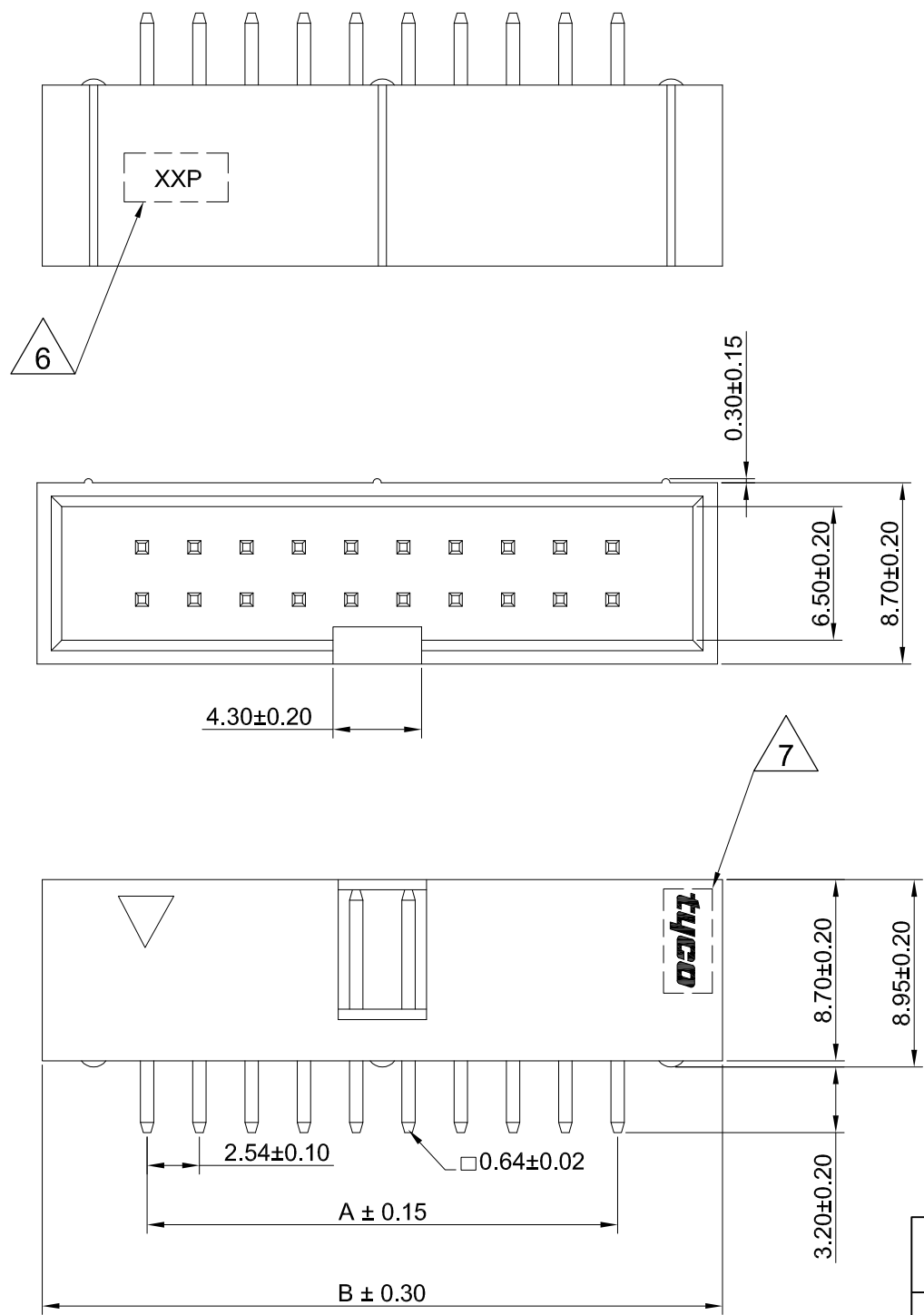
Recommended P.C.Board Hole Layout



NOTES

- FOR TECHNICAL DATA REFER TO YOUR LOCAL TYCO ELECTRONICS SALES OFFICE.
- ALL DIMENSIONS ARE NOMINAL FOR REFERENCE ONLY UNLESS OTHERWISE STATED.
- RATING
 3.1 RATING : 3 AMPS
 3.2 OPERATING TEMPERATURE : - 40°C TO +105°C
- ELECTRICAL SPECIFICATION
 4.1 INSULATION RESISTANCE : 5000 MΩ MINIMUM
 4.2 WITHSTAND VOLTAGE : 500V AC
- MATERIALS
 5.1 CONTACT - BRASS, POST PLATE
 Au 0.25µm (10µinch) IN CONTACT AREA
 Sn 2 TO 3µm (80 TO 120µinch) IN SOLDER AREA.
 5.2 HOUSING - BLACK NYLON 6T UL 94V-0

- △ 6 NUMBER OF CONTACT POSITIONS TO BE INDICATED IN AREA SHOWN.
XX = NUMBER OF POSITONS.
- △ 7 TYCO LOGO TO BE PRESENT IN AREA INDICATED.
- △ 8 OBSOLETE PARTS: OBSOLETE CIS STREAMLINING PER D.RENAUD/D.SINISI



8	OBSOLETE	78.74	88.93	64	6-1634688-4
	OBSOLETE	73.66	83.85	60	6-1634688-0
		60.96	71.15	50	5-1634688-0
		48.26	58.45	40	4-1634688-0
		40.64	50.83	34	3-1634688-4
		30.48	40.67	26	2-1634688-6
		22.86	33.05	20	2-1634688-0
		17.78	27.97	16	1-1634688-6
		15.24	25.43	14	1-1634688-4
		10.16	20.35	10	1-1634688-0
		A	B	No Of Contacts	TE Part No
		Dimensions			

THIS DRAWING IS A CONTROLLED DOCUMENT.		DWN	A.MOREY	14JAN04	<p>OBSOLETE NOT the LATEST REVISION</p>		
DIMENSIONS: mm		CHK	J.SANDWELL	14JAN04			
TOLERANCES UNLESS OTHERWISE SPECIFIED:		APVD	F.WHEELER-KING	14JAN04			
0 PLC ± - 1 PLC ± - 2 PLC ± 0.2 3 PLC ± - 4 PLC ± - ANGLES ± 3°		PRODUCT SPEC	-				
MATERIAL		APPLICATION SPEC	-		SIZE	A3	
FINISH		WEIGHT	-		CAGE CODE	00779	
-		CUSTOMER DRAWING		SCALE	NTS	DRAWING NO	C-1634688
				SHEET	1 OF 1	REV	C2

Looking for pricing, stock, or lifecycle information?

Click below to explore more details on WIN SOURCE:

 [View 2-1634688-6 on WIN SOURCE](#)

 [TE Connectivity](#) Information

Optimize Your Supply Chain with WIN SOURCE Solutions

-  Global Sourcing Solution
-  Obsolete Management
-  Cost Control Management
-  Shortage Management
-  Alternative Solution
-  Excess Inventory Management