



**THE DATASHEET OF
SMS-105-02-S-D**



DO NOT SCALE FROM THIS PRINT

STYLE	CONTACT	"B"
-01	C-16-1-XX	.100[2.54]
-02	C-16-2-XX	.190[4.83]

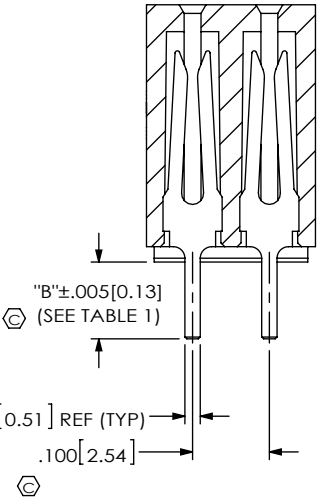
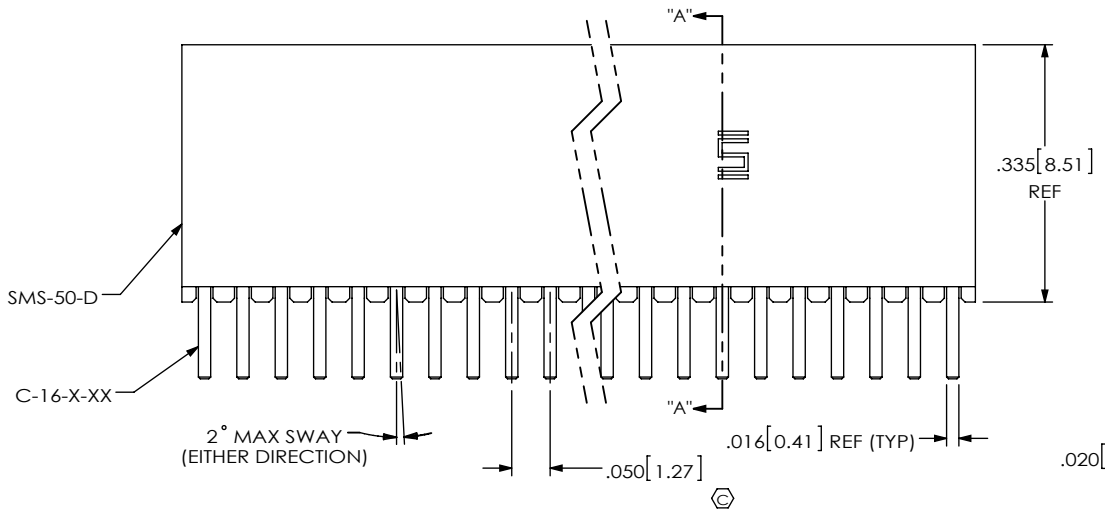
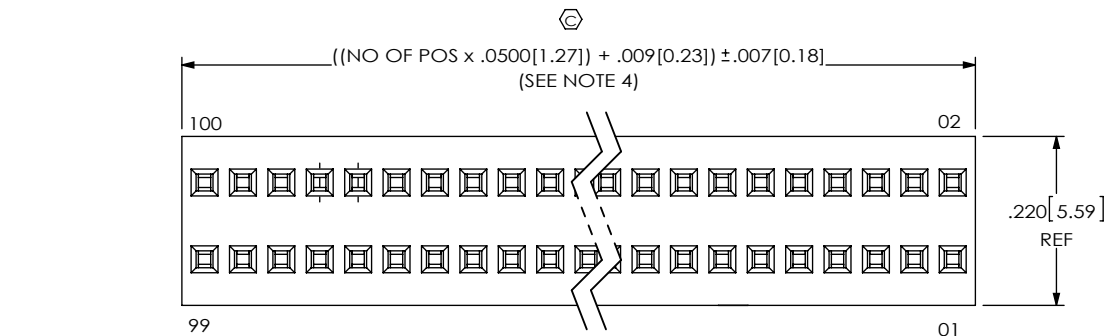
SMS-1XX-XX-XX-D

No. OF POSITIONS
-01 THRU -50 POSITIONS

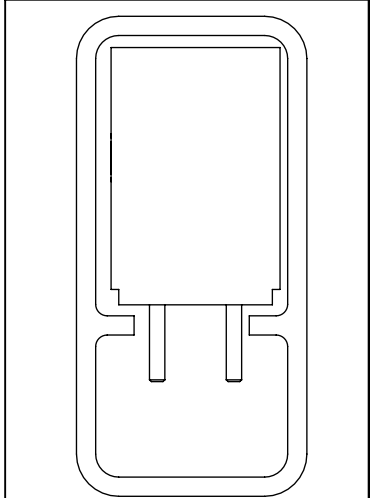
ROW SPECIFICATION
-D: DOUBLE ROW (USE SMS-50-D)

LEAD STYLE
(SEE TABLE 1)
USE SPECIFIED LEAD STYLE TO IDENTIFY CONTACT

PLATING SPECIFICATION
-G: 10μ" GOLD IN CONTACT AREA, 3μ" GOLD ON TAIL
-T: MATTE TIN CONTACT AND TAIL
-S: 30μ" SELECTIVE GOLD IN CONTACT AREA, MATTE TIN ON TAIL
-F: 3μ" FLASH SELECTIVE GOLD IN CONTACT AREA, MATTE TIN ON TAIL (AVAILABLE IN -01 LEAD STYLE ONLY)
-H: 30μ" HEAVY GOLD IN CONTACT AREA, 3μ" GOLD ON TAIL
-TM: MATTE TIN CONTACT AND TAIL
-SM: 30μ" SELECTIVE GOLD IN CONTACT AREA, MATTE TIN ON TAIL
-FM: 3μ" FLASH SELECTIVE GOLD IN CONTACT AREA, MATTE TIN ON TAIL (AVAILABLE IN -01 LEAD STYLE ONLY)
-L: 10μ" LIGHT SELECTIVE GOLD IN CONTACT AREA, MATTE TIN ON TAIL



STYLE	TUBE	PLUG
-01	PT-SMS001-D	TP-03
-02		



PACKAGING VIEW
(SEE TABLE 2 & NOTE 5)

- NOTES:
- ⊕ REPRESENTS A CRITICAL DIMENSION.
 - MAXIMUM ALLOWABLE BOW: .006[0.15] INCH/INCH AFTER ASSEMBLY.
 - MAXIMUM CUT FLASH: .005[0.13].
 - PARTS CUT TO POSITION SHOULD BE SYMMETRICAL ABOUT ⊕. MINIMUM END WALLS OF CUT BODIES SHALL BE .012 [0.30]. WHEN MEASURED AT CONTACT TAIL.
 - PACKAGE ONLY POSITIONS 10 THROUGH 50 IN TUBES. BOX PACKAGE POSITIONS 01 THROUGH 09.
 - MINIMUM CONTACT PUSHOUT FORCE: 1.5 LBS.

UNLESS OTHERWISE SPECIFIED, DIMENSIONS ARE IN INCHES. TOLERANCES ARE:

DECIMALS	ANGLES
.XX: ±.01 [.3]	2°
.XXX: ±.005 [.13]	
.XXXX: ±.0020 [.051]	

PROPRIETARY NOTE
THIS DOCUMENT CONTAINS INFORMATION CONFIDENTIAL AND PROPRIETARY TO SAMTEC, INC. AND SHALL NOT BE REPRODUCED OR TRANSFERRED TO OTHER DOCUMENTS OR DISCLOSED TO OTHERS OR USED FOR ANY PURPOSE OTHER THAN THAT WHICH IT WAS OBTAINED WITHOUT THE EXPRESSED WRITTEN CONSENT OF SAMTEC, INC.



520 PARK EAST BLVD, NEW ALBANY, IN 47150
PHONE: 812-944-6733 FAX: 812-948-5047
e-Mail: info@SAMTEC.com code: 55322


MATERIAL: DO NOT SCALE DRAWING SHEET SCALE: 4:1

INSULATOR: VECTRA E130I, COLOR: BLACK
CONTACT: PHOSPHOR BRONZE, SPRING TEMPER, ALLOY 511 OR 510

DESCRIPTION:
.050[1.27] CENTERLINE SOCKET MICRO STRIP
DWG. NO.
SMS-1XX-XX-XX-D

Looking for pricing, stock, or lifecycle information?

Click below to explore more details on WIN SOURCE:

 [View SMS-105-02-S-D on WIN SOURCE](#)

 [Samtec Inc. Information](#)

Optimize Your Supply Chain with WIN SOURCE Solutions

-  Global Sourcing Solution
-  Obsolete Management
-  Cost Control Management
-  Shortage Management
-  Alternative Solution
-  Excess Inventory Management