

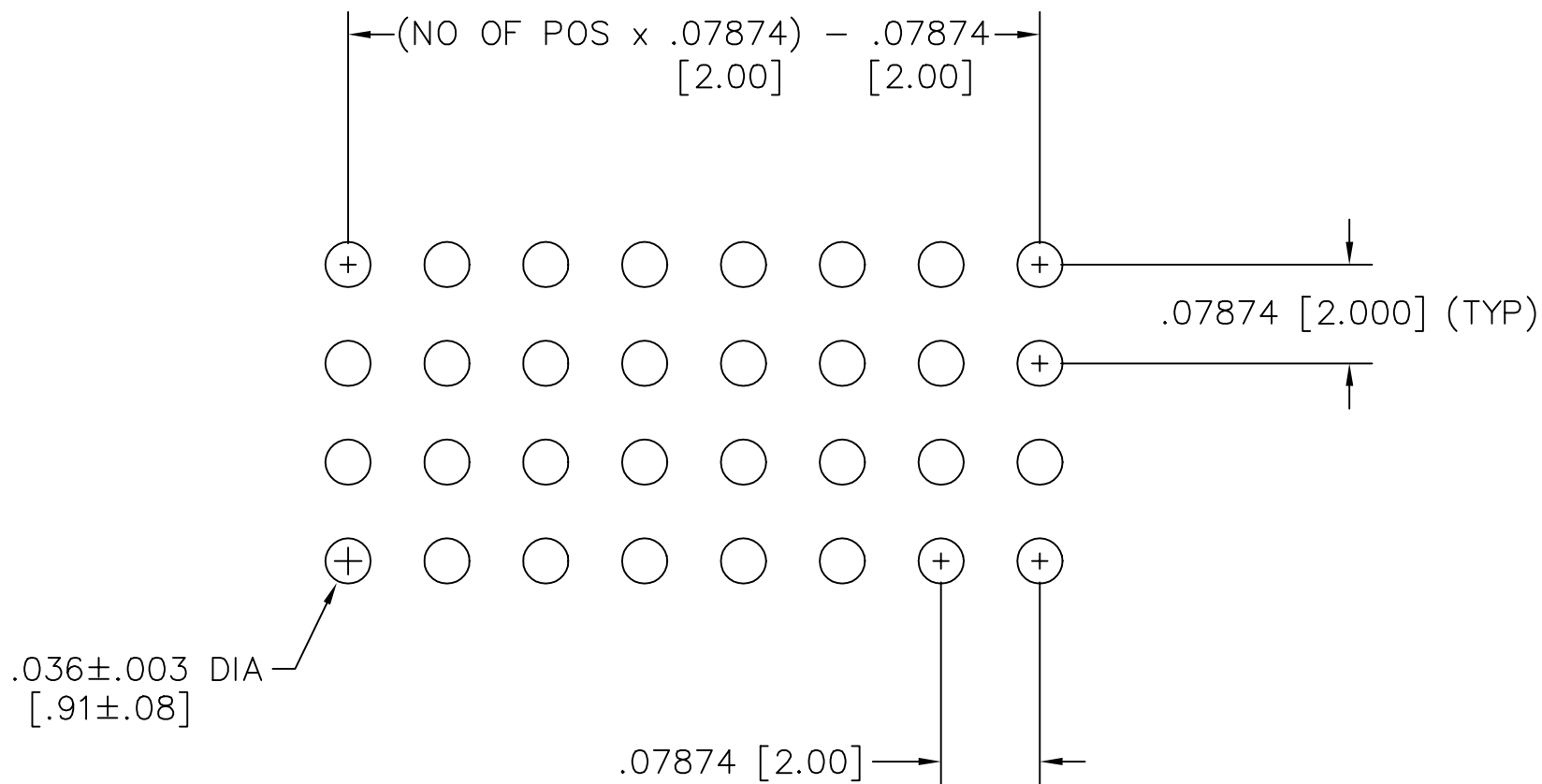


**THE DATASHEET OF  
SQT-113-03-FM-Q**



REV B

# RECOMMENDED P.C. BOARD LAYOUT FOR SQT\SQW (QUAD)



12-18-96

MISC\MKTG\FOOTPRINT  
SQT-TH-Q



**samtec**

810 PROGRESS BLVD. NEW ALBANY, INDIANA 47150  
PHONE (812) 944-6733 P.O. BOX 1147

PLOT SCALE: 1 = .1

## Looking for pricing, stock, or lifecycle information?

Click below to explore more details on WIN SOURCE:

-  [View SQT-113-03-FM-Q on WIN SOURCE](#)
-  [Samtec Inc. Information](#)

## Optimize Your Supply Chain with WIN SOURCE Solutions

-  Global Sourcing Solution
-  Obsolete Management
-  Cost Control Management
-  Shortage Management
-  Alternative Solution
-  Excess Inventory Management