



THE DATASHEET OF SQT-120-01-L-Q

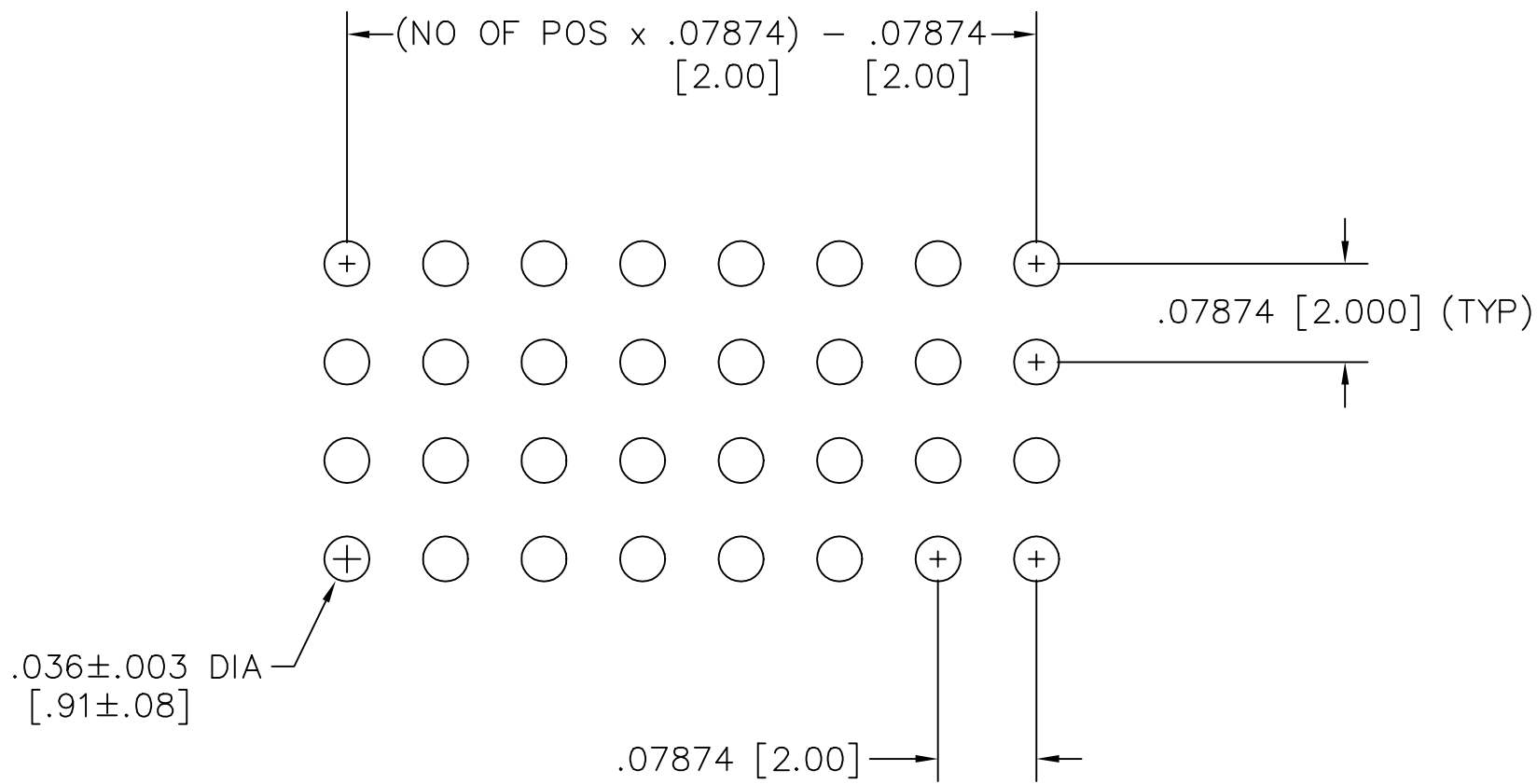
www.win-source.net



0086-755-83957316

REV B

RECOMMENDED P.C. BOARD LAYOUT FOR SQT\SQW (QUAD)



12-18-96

MISC\MKTG\FOOTPRINT
SQT-TH-Q



810 PROGRESS BLVD. NEW ALBANY, INDIANA 47150
PHONE (812) 944-6733 P.O. BOX 1147

PLOT SCALE: 1 = .1

Looking for pricing, stock, or lifecycle information?

Click below to explore more details on WIN SOURCE:

 [View SQT-120-01-L-Q on WIN SOURCE](#)

 [Samtec Inc. Information](#)

Optimize Your Supply Chain with WIN SOURCE Solutions

-  Global Sourcing Solution
-  Obsolete Management
-  Cost Control Management
-  Shortage Management
-  Alternative Solution
-  Excess Inventory Management