



**THE DATASHEET OF  
CX2045LNLT**



# RF TRANSFORMERS

## Transformers for Wideband RF Applications



- RoHS peak reflow temperature rating: 245°C
- Miniature surface mount package
- Various impedance ratios available
- Excellent insertion loss
- Ideal for Balanced-to-Unbalanced applications
- Products from 0.05 to 1900 MHz bandwidth

### Electrical Specifications @ 25°C — Operating Temperature -40°C to +85°C

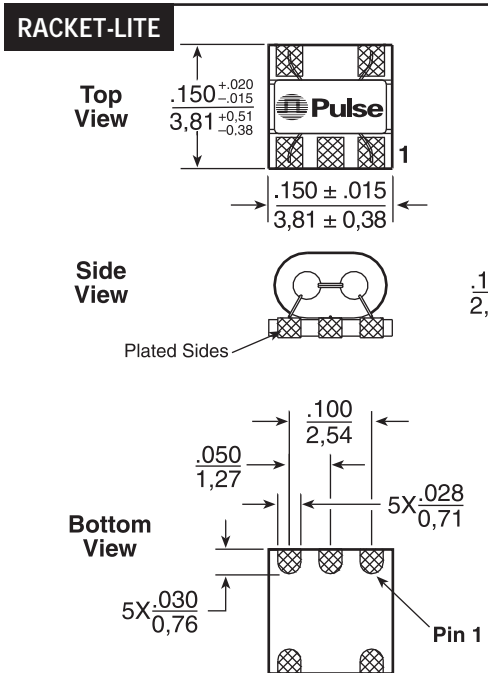
RoHS Compliant Part Number	Impedance Ratio <sup>1</sup> Pri:Sec	Turns Ratio Pri:Sec (±2%)	Bandwidth <sup>2,3</sup> (MHz TYP)			Insertion Loss @ Midband (dB TYP)	Schematic	Primary Pins
			3 dB	2 dB	1 dB			
CX2041NL	1:1CT	1:1CT	0.05-450	0.75-300	0.10-200	0.60	B	4-6
CX2040LNL	1:1	1:1	1.5-500	2.5-400	5-350	0.90	A	4-6
CX2043LNL	1.5:1	$\sqrt{1.5}:1$	—	—	1-1000	0.20	D	3-6
CX2044LNL	1.5:1	$\sqrt{1.5}:1$	—	1.0-500	5-100	0.20	A	1-3
CX2045LNL	1:2CT	1:1.414CT	—	—	3-300	0.80	B	4-6
CX2047LNL	1:4CT	1:2CT	—	0.5-300	1.5-100	0.24	B	4-6
CX2049LNL	1:8CT	1:2.83CT	.25-500	0.3-400	0.5-200	1.16	B	4-6
CX2029LNL	36:1CT	6:1CT	0.05-21	—	—	0.40	B	4-6
CX2163LNL	1:1	1:1	800-1900	—	900-1400	1.50	E	1-3

### Electrical Specifications @ 25°C — Operating Temperature -40°C to +85°C

RoHS Compliant Part Number	Impedance Ratio <sup>1</sup> Pri:Sec	Bandwidth <sup>2,3</sup> (MHz TYP)		Schematic	Primary Pins
		2 dB	1 dB		
CX2038LNL	75 Ω:75 Ω	Up to 1500	4.5-1000	C	4-6
CX2039LNL	50 Ω:50 Ω	Up to 1500	4.5-1000	C	4-6

NOTE: Optional Tape & Reel packaging can be ordered by adding a "T" suffix to the part number, e.g. CX2041NLT, CX2163NLT.

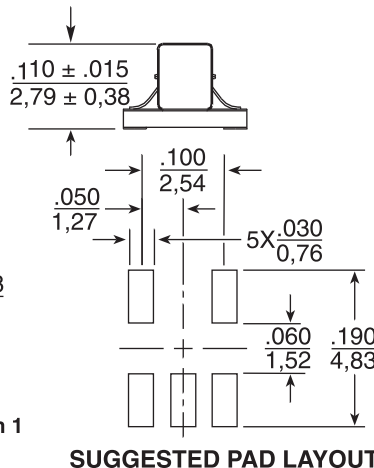
## Mechanical



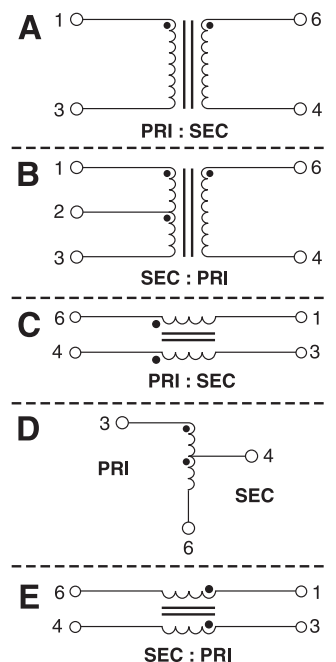
Tape & Reel . . . . . 2000 /reel  
 Tray . . . . . 100 /tray  
 Power Rating . . . 30 mA MAX; 0.25 W MAX

Dimensions: Inches  
 mm

Unless otherwise specified, all tolerances are ± .010  
 .25



## Schematic



# RF TRANSFORMERS

## Transformers for Wideband RF Applications



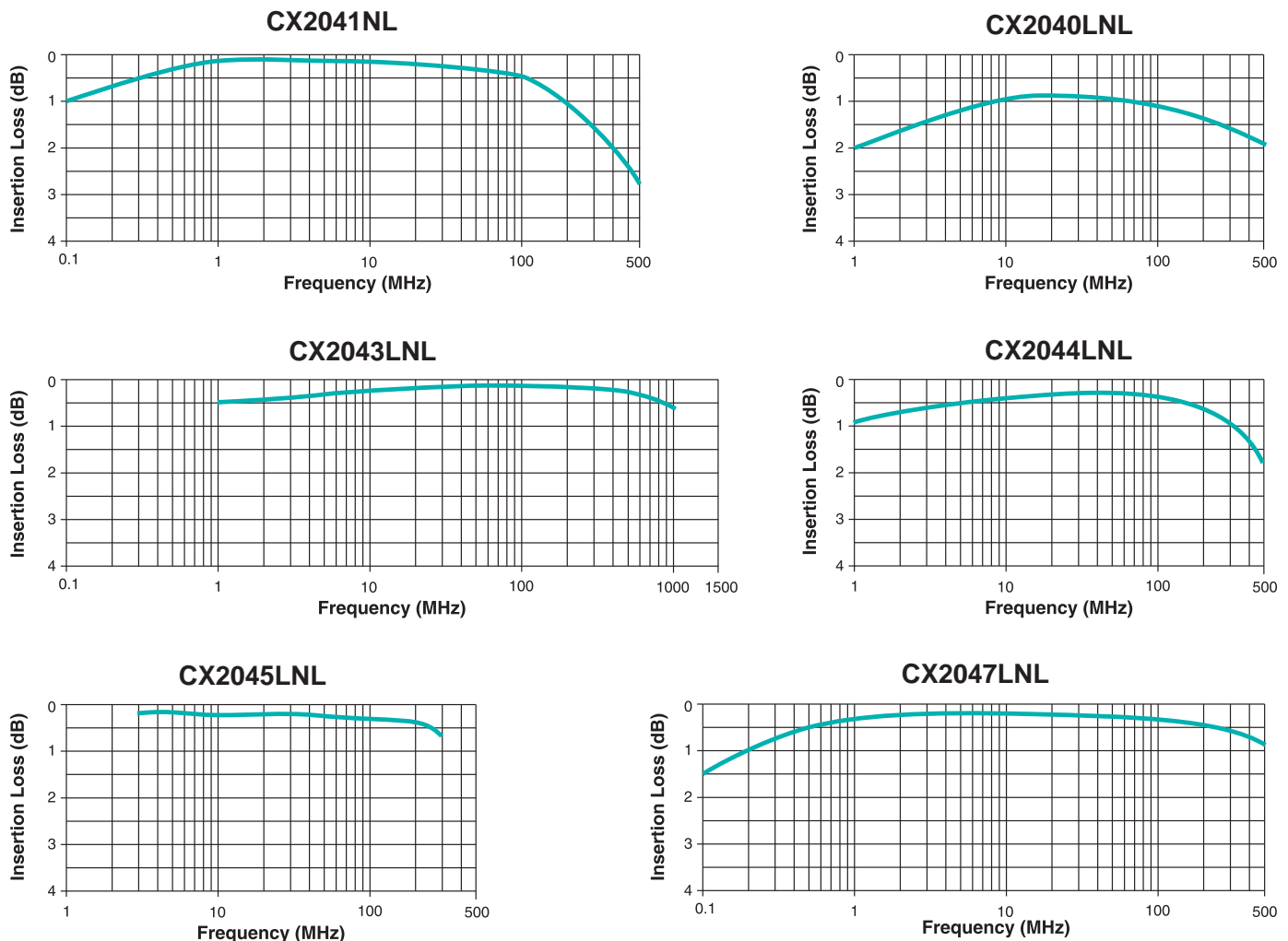
### Notes from Tables

1. Impedance and turns ratios are specified primary:secondary. (CT=Center Tap).
2. Bandwidth is referenced to midband loss.
3. These transformers are verified to operate from -40°C to +85°C. Contact Pulse Applications Engineering for performance data.

### Application Notes

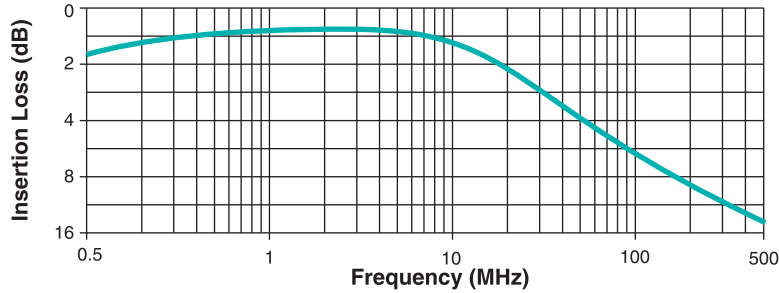
- A. Bandwidth specifications for **CX2040LNL** and **CX2047LNL** are for a 50 Ω system.
- B. Materials used in the products are UL94-V0 recognized. Products meet requirements of IEC 695-2-2 (Needle Flame Test).
- C. **CX2038LNL**, **CX2039LNL**, and **CX2043LNL** transformer configurations do not provide DC isolation between primary and secondary windings.
- D. For additional impedance ratios and frequency ranges, please contact Pulse Applications Engineering.
- E. Pick and place operation: smooth upper surface of device allows automatic pick and place.
- F. For availability of lead-free version of this product, please contact Pulse.

### Typical Insertion Loss @ 25°C

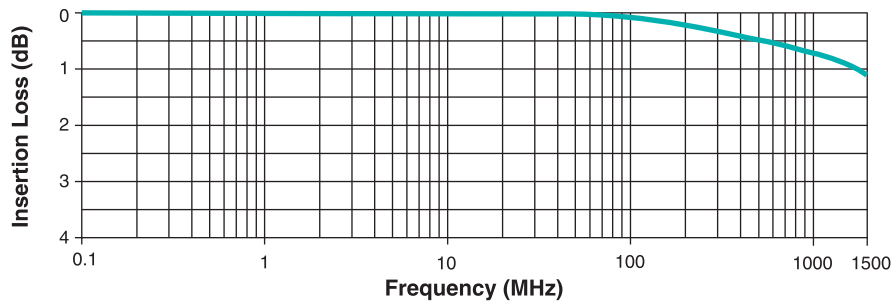


## Typical Insertion Loss @ 25°C

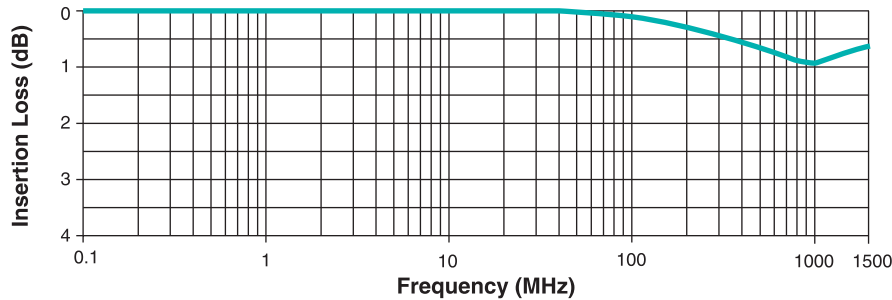
**CX2029NL**



**CX2038LNL**



**CX2039LNL**



### For More Information:

**Pulse Worldwide Headquarters**

12220 World Trade Dr.  
San Diego, CA 92128  
U.S.A.

[www.pulseeng.com](http://www.pulseeng.com)

Tel: 858 674 8100  
Fax: 858 674 8262

**Pulse Europe**

Zeppelinstrasse 15  
D-71083 Herrenberg  
Germany

Tel: 49 7032 7806 0  
Fax: 49 7032 7806 135

**Pulse China Headquarters**

B402, Shenzhen Academy of  
Aerospace Technology Bldg.  
10th Kejinan Rd.  
High-Tech Zone  
Nanshan District  
Shenzhen, PR China 518057

Tel: 86 755 33966678  
Fax: 86 755 33966700

**Pulse North China**

Room 2704/2705  
Super Ocean Finance Ctr.  
2067 Yan An Rd. West  
Shanghai 200336  
China

Tel: 86 21 62787060  
Fax: 86 2162786973

**Pulse South Asia**

135 Joo Seng Rd.  
#03-02  
PM Industrial Bldg.  
Singapore 368363

Tel: 65 6287 8998  
Fax: 65 6287 8998

**Pulse North Asia**

3F, No. 198  
Zhongyuan Rd.  
Zhongli City  
Taoyuan County 320  
Taiwan R. O. C.

Tel: 886 3 4356768  
Fax: 886 3 4356823 (Pulse)  
Fax: 886 3 4356820 (FRE)

Performance warranty of products offered on this data sheet is limited to the parameters specified. Data is subject to change without notice. Other brand and product names mentioned herein may be trademarks or registered trademarks of their respective owners.

© Copyright, 2010. Pulse Engineering, Inc. All rights reserved.

## Looking for pricing, stock, or lifecycle information?

Click below to explore more details on WIN SOURCE:

 [View CX2045LNLT on WIN SOURCE](#)

 [Pulse Information](#)

## Optimize Your Supply Chain with WIN SOURCE Solutions

-  Global Sourcing Solution
-  Obsolete Management
-  Cost Control Management
-  Shortage Management
-  Alternative Solution
-  Excess Inventory Management