



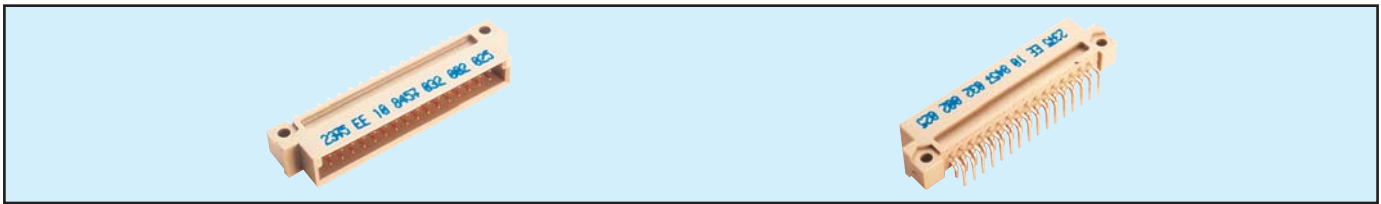
**THE DATASHEET OF**  
**10-8457-128-002-025**



# Male Style 1/2 B



## Series 8457 – 2 rows (2 x 16)

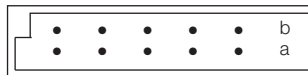


| Contact Design and Termination Length | Number of Contacts | Loading Description   | Part Number Performance classes according to DIN 41612 |                     |
|---------------------------------------|--------------------|-----------------------|--|---------------------|
|                                       |                    |                       | II   | I                   |
| 3.4 mm (Y)<br>Straight                | 32                 | a + b fully loaded    | 10 8457 032 001 025                                    | 10 8457 032 001 049 |
|                                       | 16                 | a + b even loading    | 10 8457 032 001 031                                    | 10 8457 032 001 055 |
|                                       | 16                 | a loading only        | 10 8457 032 001 027                                    | 10 8457 032 001 051 |
| 3.0 mm (Y)<br>Right Angled            | 32                 | a + b fully loaded    | 10 8457 032 002 025                                    | 10 8457 032 002 049 |
|                                       | 16                 | a + b even loading    | 10 8457 032 002 031                                    | 10 8457 032 002 055 |
|                                       | 16                 | a loading only        | 10 8457 032 002 027                                    | 10 8457 032 002 051 |
| 13.0 mm (Y)<br>Straight               | 30 + 2             | fully loaded + ground | 10 8457 032 102 025                                    | 10 8457 032 102 049 |
|                                       | 32                 | a + b fully loaded    | 10 8457 032 003 025                                    | 10 8457 032 003 049 |
|                                       | 16                 | a + b even loading    | 10 8457 032 003 031                                    | 10 8457 032 003 055 |
| 11.3 mm (Y)<br>Right Angled           | 16                 | a loading only        | 10 8457 032 003 027                                    | 10 8457 032 003 051 |
|                                       | 32                 | a + b fully loaded    | 10 8457 032 004 025                                    | 10 8457 032 004 049 |
|                                       | 16                 | a + b even loading    | 10 8457 032 004 031                                    | 10 8457 032 004 055 |
| 2.3 mm (Y)<br>Right Angled            | 16                 | a loading only        | 10 8457 032 004 027                                    | 10 8457 032 004 051 |
|                                       | 32                 | a + b fully loaded    | 10 8457 032 008 025                                    | 10 8457 032 008 049 |
|                                       | 16                 | a + b even loading    | 10 8457 032 008 031                                    | 10 8457 032 008 055 |
| 2.3 mm (Y)<br>Right Angled            | 16                 | a loading only        | 10 8457 032 008 027                                    | 10 8457 032 008 051 |
|                                       | 30 + 2             | fully loaded + ground | 10 8457 032 108 025                                    | 10 8457 032 108 049 |

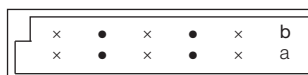
NB: Alternative Prefix Variations Available: 12, 16 & 17, please refer to Page 10.

Additional Plating & Loading Variations: Please contact your local AVX sales office or distributor.

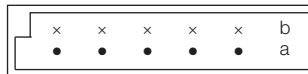
### LOADING DESCRIPTION



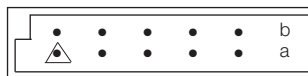
32 contacts, rows a + b fully loaded



16 contacts, rows a + b even loading



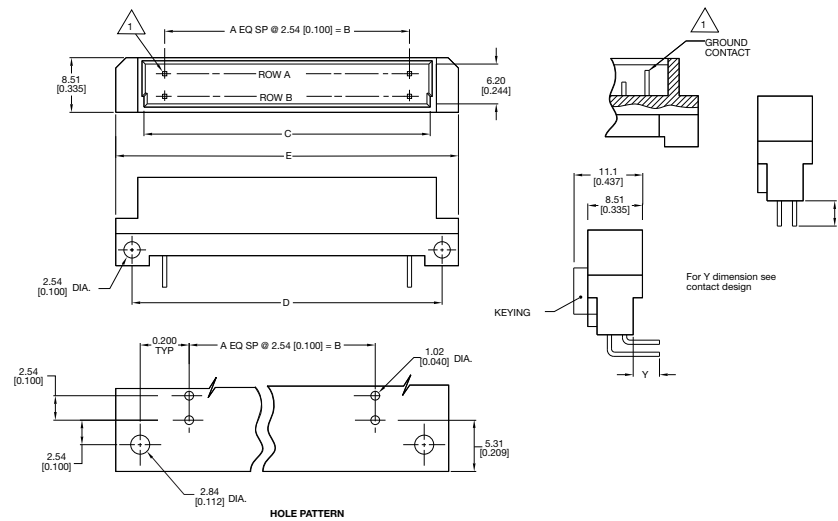
16 contacts, row a loading only



30 + 2 contacts, fully loaded with ground in A1 & A16

△ denotes ground pin

### DIMENSIONS



Unit: millimeters (inches)

| No. Contact Positions | Contact Rows | A  | B             | C             | D             | E             |
|-----------------------|--------------|----|---------------|---------------|---------------|---------------|
| 32                    | 2 (2 x 16)   | 15 | 38.10 (1.500) | 44.55 (1.754) | 48.26 (1.900) | 53.34 (2.100) |

# Female Style 1/2 B

## Series 8457 – 2 rows (2 x 16)

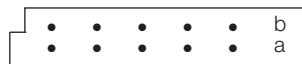


| Contact Design and Termination Length                | Number of Contacts | Loading Description | Part Number Performance classes according to DIN 41612 |                     |
|--|--------------------|---------------------|--|---------------------|
|  |                    |                     | II   | I                   |
| 0.6 x 0.6 mm post profile<br>4.5 mm (Y) Straight     | 32                 | a + b fully loaded  | 20 8457 032 001 025                                    | 20 8457 032 001 049 |
|  | 16                 | a + b even loading  | 20 8457 032 001 031                                    | 20 8457 032 001 055 |
|  | 16                 | a loading only      | 20 8457 032 001 027                                    | 20 8457 032 001 051 |
| 0.6 x 0.6 mm post profile<br>2.9 mm (Y) Straight     | 32                 | a + b fully loaded  | 20 8457 032 002 025                                    | 20 8457 032 002 049 |
|  | 16                 | a + b even loading  | 20 8457 032 002 031                                    | 20 8457 032 002 055 |
|  | 16                 | a loading only      | 20 8457 032 002 027                                    | 20 8457 032 002 051 |
| 0.6 x 0.6 mm post profile<br>13.0 mm (Y) Straight    | 32                 | a + b fully loaded  | 20 8457 032 005 025                                    | 20 8457 032 005 049 |
|  | 16                 | a + b even loading  | 20 8457 032 005 031                                    | 20 8457 032 005 055 |
|  | 16                 | a loading only      | 20 8457 032 005 027                                    | 20 8457 032 005 051 |
| 0.6 x 0.6 mm post profile<br>7.0 mm (Y) Straight     | 32                 | a + b fully loaded  | 20 8457 032 010 025                                    | 20 8457 032 010 049 |
|  | 16                 | a + b even loading  | 20 8457 032 010 031                                    | 20 8457 032 010 055 |
|  | 16                 | a loading only      | 20 8457 032 010 027                                    | 20 8457 032 010 051 |
| 0.6 x 0.6 mm post profile<br>3.5 mm (Y) Straight     | 32                 | a + b even loading  | 20 8457 032 011 025                                    | 20 8457 032 011 049 |
|  | 16                 | a + b fully loaded  | 20 8457 032 011 031                                    | 20 8457 032 011 055 |
|  | 16                 | a loading only      | 20 8457 032 011 027                                    | 20 8457 032 011 051 |
| 0.6 x 0.6 mm post profile<br>19.4 mm (Y) Straight    | 32                 | a + b fully loaded  | 20 8457 032 012 025                                    | 20 8457 032 012 049 |
|  | 16                 | a + b even loading  | 20 8457 032 012 031                                    | 20 8457 032 012 055 |
|  | 16                 | a loading only      | 20 8457 032 012 027                                    | 20 8457 032 012 051 |
| 0.6 x 0.6 mm post profile<br>4.5 mm (Y) Right Angled | 32                 | a + b fully loaded  | 20 8457 032 013 025                                    | 20 8457 032 013 049 |
|  | 16                 | a + b even loading  | 20 8457 032 013 031                                    | 20 8457 032 013 055 |
|  | 16                 | a loading only      | 20 8457 032 013 027                                    | 20 8457 032 013 051 |

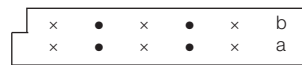
NB: Alternative Prefix Variations Available: 22, 24, 25, 26 & 27, please refer to Page 10.

Additional Plating & Loading Variations: Please contact your local AVX sales office or distributor.

### LOADING DESCRIPTION



32 contacts, rows a + b fully loaded

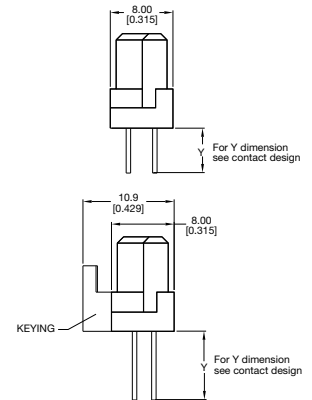
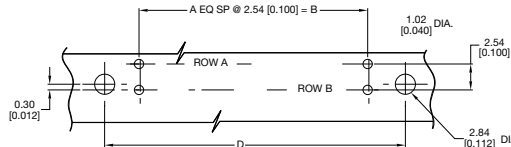
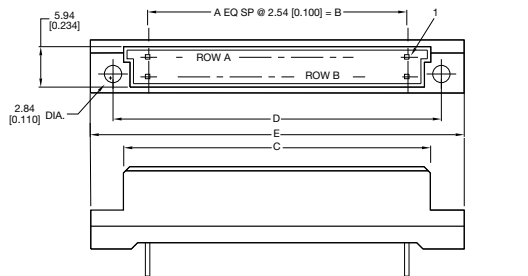


16 contacts, rows a + b even loading



16 contacts, row a loading only

### DIMENSIONS

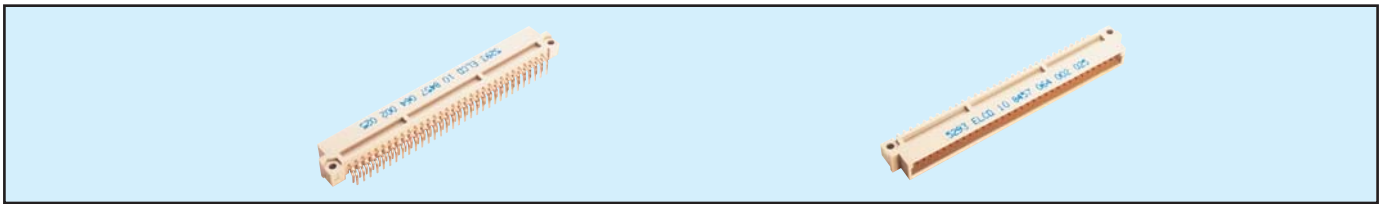


Unit: millimeters (inches)

| No. Contact Positions | Contact Rows | A  | B                | C                | D                | E                |
|-----------------------|--------------|----|------------------|------------------|------------------|------------------|
| 32                    | 2 (2 x 16)   | 15 | 38.10<br>(1.500) | 44.30<br>(1.744) | 49.99<br>(1.968) | 54.91<br>(2.162) |

# Male Style B

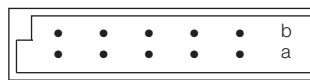
## Series 8457 – 2 rows (2 x 32)



| Contact Design and Termination Length | Number of Contacts | Loading Description   | Part Number Performance classes according to DIN 41612 |                     |
|---------------------------------------|--------------------|-----------------------|--|---------------------|
|                                       |                    |                       | II   | I                   |
| 3.4 mm (Y)<br>Straight                | 64                 | a + b fully loaded    | 10 8457 064 001 025                                    | 10 8457 064 001 049 |
|                                       | 32                 | a + b even loading    | 10 8457 064 001 031                                    | 10 8457 064 001 055 |
|                                       | 32                 | a loading only        | 10 8457 064 001 027                                    | 10 8457 064 001 051 |
| 3.0 mm (Y)<br>Right Angled            | 64                 | a + b fully loaded    | 10 8457 064 002 025                                    | 10 8457 064 002 049 |
|                                       | 32                 | a + b even loading    | 10 8457 064 002 031                                    | 10 8457 064 002 055 |
|                                       | 32                 | a loading only        | 10 8457 064 002 027                                    | 10 8457 064 002 051 |
| 13.0 mm (Y)<br>Straight               | 64                 | a + b fully loaded    | 10 8457 064 003 025                                    | 10 8457 064 003 049 |
|                                       | 32                 | a + b even loading    | 10 8457 064 003 031                                    | 10 8457 064 003 055 |
|                                       | 32                 | a loading only        | 10 8457 064 003 027                                    | 10 8457 064 003 051 |
| 11.3 mm (Y)<br>Right Angled           | 64                 | a + b fully loaded    | 10 8457 064 004 025                                    | 10 8457 064 004 049 |
|                                       | 32                 | a + b even loading    | 10 8457 064 004 031                                    | 10 8457 064 004 055 |
|                                       | 32                 | a loading only        | 10 8457 064 004 027                                    | 10 8457 064 004 051 |
| 2.3 mm (Y)<br>Right Angled            | 64                 | a + b fully loaded    | 10 8457 064 008 025                                    | 10 8457 064 008 049 |
|                                       | 32                 | a + b even loading    | 10 8457 064 008 031                                    | 10 8457 064 008 055 |
|                                       | 32                 | a loading only        | 10 8457 064 008 027                                    | 10 8457 064 008 051 |
|                                       | 62 + 2             | fully loaded + ground | 10 8457 064 102 025                                    | 10 8457 064 102 049 |
|                                       |                    |                       | 10 8457 064 108 025                                    | 10 8457 064 108 049 |

NB: Alternative Prefix Variations Available: 12, 16 & 17, please refer to Page 10.  
Additional Plating & Loading Variations: Please contact your local AVX sales office or distributor.

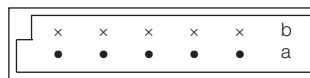
### LOADING DESCRIPTION DIMENSIONS



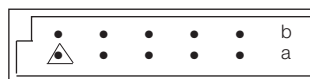
64 contacts, rows a + b fully loaded



32 contacts, rows a + b even loading

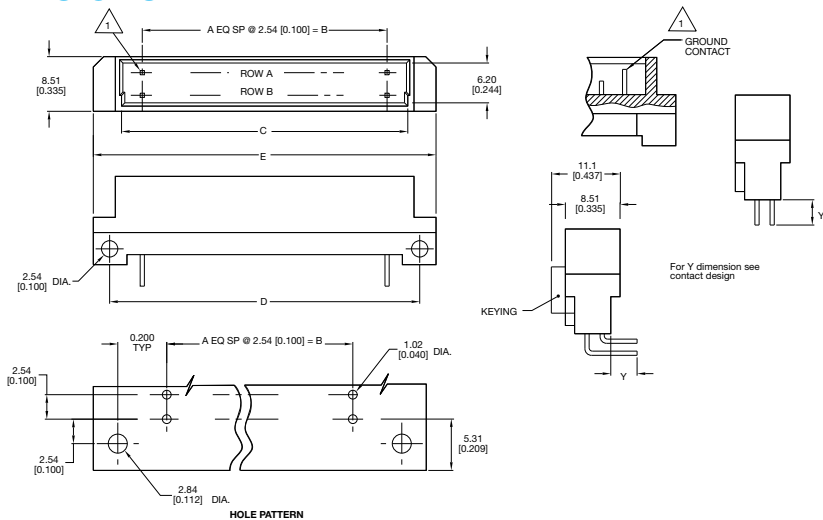


32 contacts, row a loading only



62 + 2 contacts, fully loaded with ground in A1 + A32

△ denotes ground pin



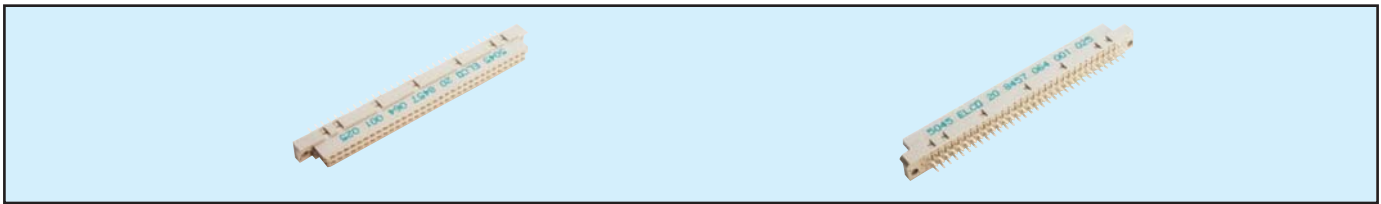
Unit: millimeters (inches)

| No. Contact Positions | Contact Rows | A  | B                | C                | D                | E                |
|-----------------------|--------------|----|------------------|------------------|------------------|------------------|
| 64                    | 2 (2 x 32)   | 31 | 78.74<br>(3.100) | 85.19<br>(3.354) | 88.90<br>(3.500) | 93.98<br>(3.700) |

# Female Style B



## Series 8457 – 2 rows (2 x 32)



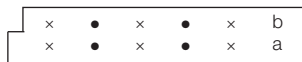
| Contact Design and Termination Length                | Number of Contacts | Loading Description | Part Number Performance classes according to DIN 41612 |                     |
|--|--------------------|---------------------|--|---------------------|
|  |                    |                     | II   | I                   |
| 0.6 x 0.6 mm Post Profile<br>4.5 mm (Y) Straight     | 64                 | a + b fully loaded  | 20 8457 064 001 025                                    | 20 8457 064 001 049 |
|  | 32                 | a + b even loading  | 20 8457 064 001 031                                    | 20 8457 064 001 055 |
|  | 32                 | a loading only      | 20 8457 064 001 027                                    | 20 8457 064 001 051 |
| 0.6 x 0.6 mm Post Profile<br>2.9 mm (Y) Straight     | 64                 | a + b fully loaded  | 20 8457 064 002 025                                    | 20 8457 064 002 049 |
|  | 32                 | a + b even loading  | 20 8457 064 002 031                                    | 20 8457 064 002 055 |
|  | 32                 | a loading only      | 20 8457 064 002 027                                    | 20 8457 064 002 051 |
| 0.6 x 0.6 mm Post Profile<br>13.0 mm (Y) Straight    | 64                 | a + b fully loaded  | 20 8457 064 005 025                                    | 20 8457 064 005 049 |
|  | 32                 | a + b even loading  | 20 8457 064 005 031                                    | 20 8457 064 005 055 |
|  | 32                 | a loading only      | 20 8457 064 005 027                                    | 20 8457 064 005 051 |
| 0.6 x 0.6 mm Post Profile<br>7.0 mm (Y) Straight     | 64                 | a + b fully loaded  | 20 8457 064 010 025                                    | 20 8457 064 010 049 |
|  | 32                 | a + b even loading  | 20 8457 064 010 031                                    | 20 8457 064 010 055 |
|  | 32                 | a loading only      | 20 8457 064 010 027                                    | 20 8457 064 010 051 |
| 0.6 x 0.6 mm Post Profile<br>3.5 mm (Y) Straight     | 64                 | a + b fully loaded  | 20 8457 064 011 025                                    | 20 8457 064 011 049 |
|  | 32                 | a + b even loading  | 20 8457 064 011 031                                    | 20 8457 064 011 055 |
|  | 32                 | a loading only      | 20 8457 064 011 027                                    | 20 8457 064 011 051 |
| 0.6 x 0.6 mm Post Profile<br>19.4 mm (Y) Straight    | 64                 | a + b fully loaded  | 20 8457 064 012 025                                    | 20 8457 064 012 049 |
|  | 32                 | a + b even loading  | 20 8457 064 012 031                                    | 20 8457 064 012 055 |
|  | 32                 | a loading only      | 20 8457 064 012 027                                    | 20 8457 064 012 051 |
| 0.6 x 0.6 mm Post Profile<br>4.5 mm (Y) Right Angled | 64                 | a + b fully loaded  | 20 8457 064 013 025                                    | 20 8457 064 013 049 |
|  | 32                 | a + b even loading  | 20 8457 064 013 031                                    | 20 8457 064 013 055 |
|  | 32                 | a loading only      | 20 8457 064 013 027                                    | 20 8457 064 013 051 |

NB: Alternative Prefix Variations Available: 22, 24, 25, 26 & 27, please refer to Page 10.  
Additional Plating & Loading Variations: Please contact your local AVX sales office or distributor.

### LOADING DESCRIPTION



64 contacts, rows a + b fully loaded

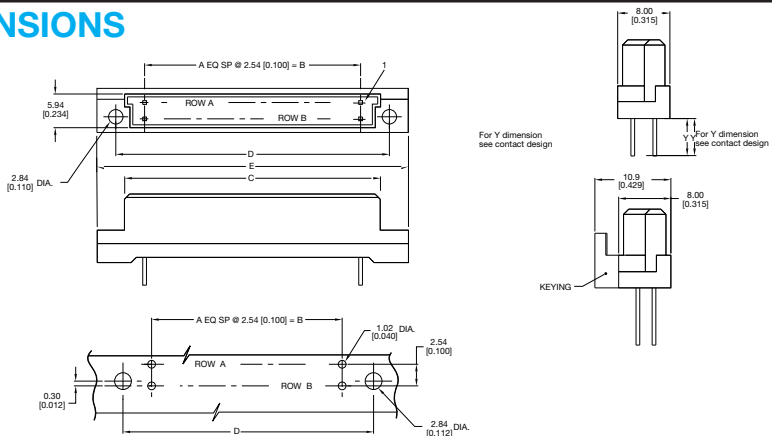


32 contacts, rows a + b even loading



32 contacts, row a loading only

### DIMENSIONS



HOLE PATTERN

Unit: millimeters (inches)

| No. Contact Positions | Contact Rows | A  | B                | C                | D                | E                |
|-----------------------|--------------|----|------------------|------------------|------------------|------------------|
| 64                    | 2 (2 x 32)   | 31 | 78.74<br>(3.100) | 84.91<br>(3.343) | 89.99<br>(3.543) | 94.89<br>(3.736) |

# Male Style 1/3 C

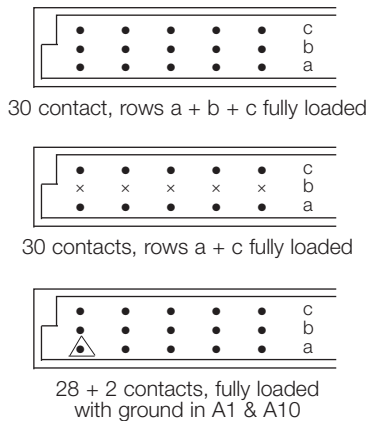
## Series 8457 – 3 rows (3 x 10)



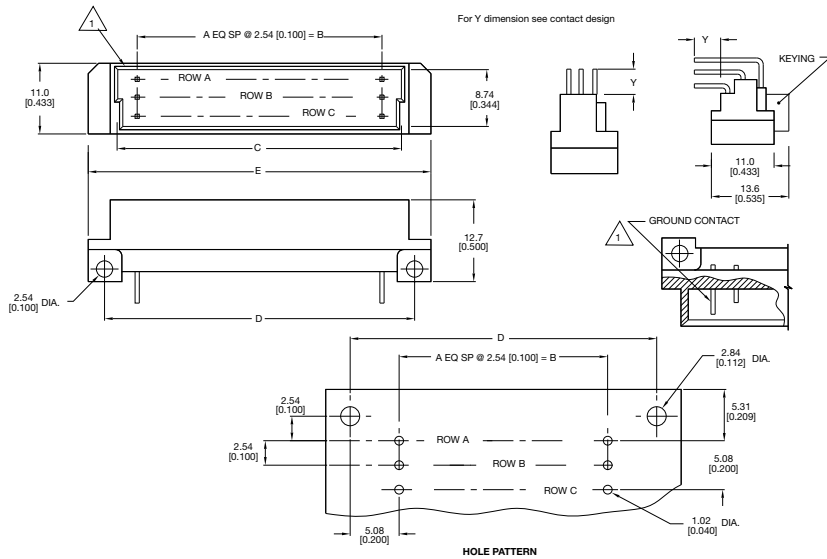
| Contact Design and Termination Length | Number of Contacts | Loading Description    | Part Number Performance classes according to DIN 41612 |                     |
|---------------------------------------|--------------------|------------------------|--|---------------------|
|                                       |                    |                        | II   | I                   |
| 3.4 mm (Y)<br>Straight                | 30                 | a + b + c fully loaded | 10 8457 030 001 025                                    | 10 8457 030 001 049 |
|                                       | 20                 | a + c fully loaded     | 10 8457 030 001 026                                    | 10 8457 030 001 050 |
|                                       |                    |                        |  |                     |
| 3.0 mm (Y)<br>Right Angled            | 30                 | a + b + c fully loaded | 10 8457 030 002 025                                    | 10 8457 030 002 049 |
|                                       | 20                 | a + c fully loaded     | 10 8457 030 002 026                                    | 10 8457 030 002 050 |
|                                       | 28 + 2             | fully loaded + ground  | 10 8457 030 102 025                                    | 10 8457 030 102 049 |
| 13.0 mm (Y)<br>Straight               | 30                 | a + b + c fully loaded | 10 8457 030 003 025                                    | 10 8457 030 003 049 |
|                                       | 20                 | a + c fully loaded     | 10 8457 030 003 026                                    | 10 8457 030 003 050 |
| 11.3 mm (Y)<br>Right Angled           | 30                 | a + b + c fully loaded | 10 8457 030 004 025                                    | 10 8457 030 004 049 |
|                                       | 20                 | a + c fully loaded     | 10 8457 030 004 026                                    | 10 8457 030 004 050 |
| 2.3 mm (Y)<br>Right Angled            | 30                 | a + b + c fully loaded | 10 8457 030 008 025                                    | 10 8457 030 008 049 |
|                                       | 20                 | a + c fully loaded     | 10 8457 030 008 026                                    | 10 8457 030 008 050 |
|                                       | 28 + 2             | fully loaded + ground  | 10 8457 030 108 025                                    | 10 8457 030 108 049 |

NB: Alternative Prefix Variations Available: 12, 16 & 17, please refer to Page 10.  
Additional Plating & Loading Variations: Please contact your local AVX sales office or distributor.

### LOADING DESCRIPTION DIMENSIONS



△ denotes ground pin

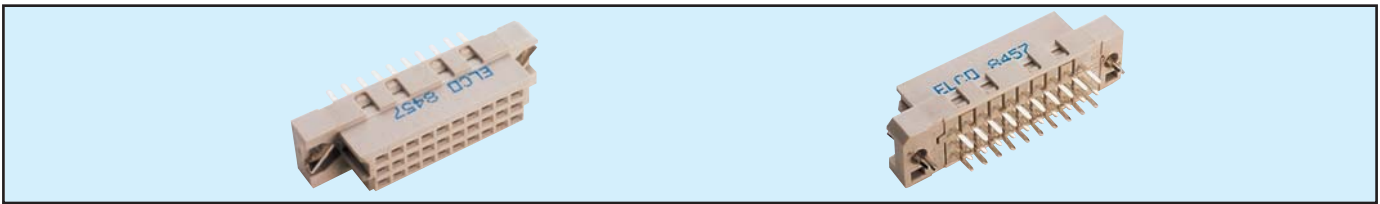


Unit: millimeters (inches)

| No. Contact Positions | Contact Rows | A | B                | C                | D                | E                |
|-----------------------|--------------|---|------------------|------------------|------------------|------------------|
| 30                    | 3 (3 x 10)   | 9 | 22.86<br>(0.900) | 29.41<br>(1.158) | 33.02<br>(1.300) | 38.02<br>(1.497) |

# Female Style 1/3 C

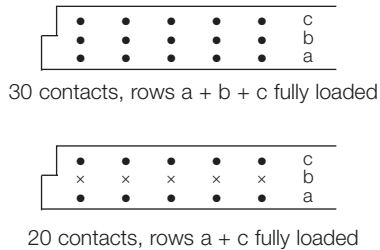
## Series 8457 – 3 rows (3 x 10)



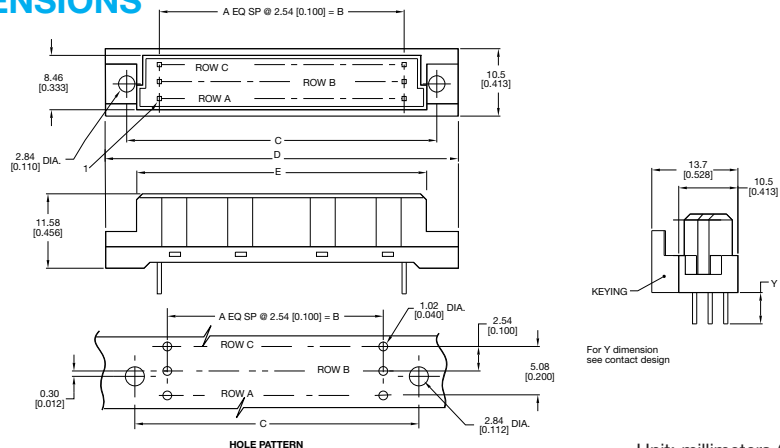
| Contact Design and Termination Length                | Number of Contacts | Loading Description    | Part Number Performance classes according to DIN 41612 |                     |
|--|--------------------|------------------------|--|---------------------|
|  |                    |                        | II   | I                   |
| 0.6 x 0.6 mm Post Profile<br>4.5 mm (Y) Straight     | 30                 | a + b + c fully loaded | 20 8457 030 001 025                                    | 20 8457 030 001 049 |
|  | 20                 | a + c fully loaded     | 20 8457 030 001 026                                    | 20 8457 030 001 050 |
| 0.6 x 0.6 mm Post Profile<br>2.9 mm (Y) Straight     | 30                 | a + b + c fully loaded | 20 8457 030 002 025                                    | 20 8457 030 002 049 |
|  | 20                 | a + c fully loaded     | 20 8457 030 002 026                                    | 20 8457 030 002 050 |
| 0.6 x 0.6 mm Post Profile<br>13.0 mm (Y) Straight    | 30                 | a + b + c fully loaded | 20 8457 030 005 025                                    | 20 8457 030 005 049 |
|  | 20                 | a + c fully loaded     | 20 8457 030 005 026                                    | 20 8457 030 005 050 |
| 0.6 x 0.6 mm Post Profile<br>3.5 mm (Y) Straight     | 30                 | a + b + c fully loaded | 20 8457 030 011 025                                    | 20 8457 030 011 049 |
|  | 20                 | a + c fully loaded     | 20 8457 030 011 026                                    | 20 8457 030 011 050 |
| 0.6 x 0.6 mm Post Profile<br>4.5 mm (Y) Right Angled | 30                 | a + b + c fully loaded | 20 8457 030 013 025                                    | 20 8457 030 013 049 |
|  | 20                 | a + c fully loaded     | 20 8457 030 013 026                                    | 20 8457 030 013 050 |

NB: Alternative Prefix Variations Available: 22, 24, 25, 26 & 27, please refer to Page 10.  
Additional Plating & Loading Variations: Please contact your local AVX sales office or distributor.

### LOADING DESCRIPTION



### DIMENSIONS

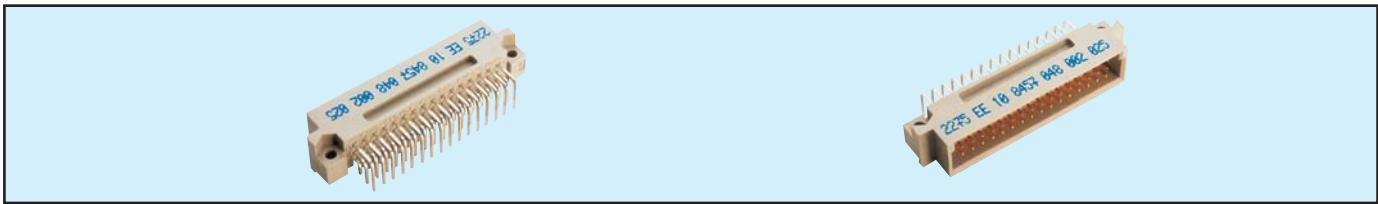


| No. Contact Positions | Contact Rows | A | B                | C                | D                | E                |
|-----------------------|--------------|---|------------------|------------------|------------------|------------------|
| 30                    | 3 (3 x 10)   | 9 | 22.86<br>(0.900) | 34.75<br>(1.368) | 39.70<br>(1.563) | 29.06<br>(1.144) |

# Male Style 1/2 C



## Series 8457 – 3 rows (3 x 16)

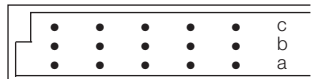


| Contact Design and Termination Length | Number of Contacts | Loading Description    | Part Number                                |                     |
|---------------------------------------|--------------------|------------------------|--|---------------------|
|                                       |                    |                        | Performance classes according to DIN 41612 |                     |
|                                       |                    |                        | II   | I                   |
| 3.4 mm (Y)<br>Straight                | 48                 | a + b + c fully loaded | 10 8457 048 001 025                        | 10 8457 048 001 049 |
|                                       | 32                 | a + c fully loaded     | 10 8457 048 001 026                        | 10 8457 048 001 050 |
|                                       | 16                 | a loading only         | 10 8457 048 001 027                        | 10 8457 048 001 051 |
| 3.0 mm (Y)<br>Right Angled            | 48                 | a + b + c fully loaded | 10 8457 048 002 025                        | 10 8457 048 002 049 |
|                                       | 32                 | a + c fully loaded     | 10 8457 048 002 026                        | 10 8457 048 002 050 |
|                                       | 16                 | a loading only         | 10 8457 048 002 027                        | 10 8457 048 002 051 |
|                                       | 46 + 2             | fully loaded + ground  | 10 8457 048 102 025                        | 10 8457 048 102 049 |
| 13.0 mm (Y)<br>Straight               | 48                 | a + b + c fully loaded | 10 8457 048 003 025                        | 10 8457 048 003 049 |
|                                       | 32                 | a + c fully loaded     | 10 8457 048 003 026                        | 10 8457 048 003 050 |
|                                       | 16                 | a loading only         | 10 8457 048 003 027                        | 10 8457 048 003 051 |
| 11.3 mm (Y)<br>Right Angled           | 48                 | a + b + c fully loaded | 10 8457 048 004 025                        | 10 8457 048 004 049 |
|                                       | 32                 | a + c fully loaded     | 10 8457 048 004 026                        | 10 8457 048 004 050 |
|                                       | 16                 | a loading only         | 10 8457 048 004 027                        | 10 8457 048 004 051 |
| 2.3 mm (Y)<br>Right Angled            | 48                 | a + b + c fully loaded | 10 8457 048 008 025                        | 10 8457 048 008 049 |
|                                       | 32                 | a + c fully loaded     | 10 8457 048 008 026                        | 10 8457 048 008 050 |
|                                       | 16                 | a loading only         | 10 8457 048 008 027                        | 10 8457 048 008 051 |
|                                       | 46 + 2             | fully loaded + ground  | 10 8457 048 108 025                        | 10 8457 048 108 049 |

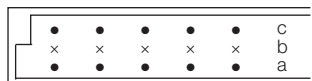
NB: Alternative Prefix Variations Available: 12, 16 & 17, please refer to Page 10.

Additional Plating & Loading Variations: Please contact your local AVX sales office or distributor.

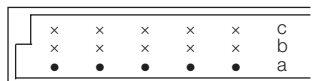
### LOADING DESCRIPTION DIMENSIONS



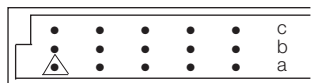
48 contacts, rows a + b + c fully loaded



32 contacts, rows a + c fully loaded

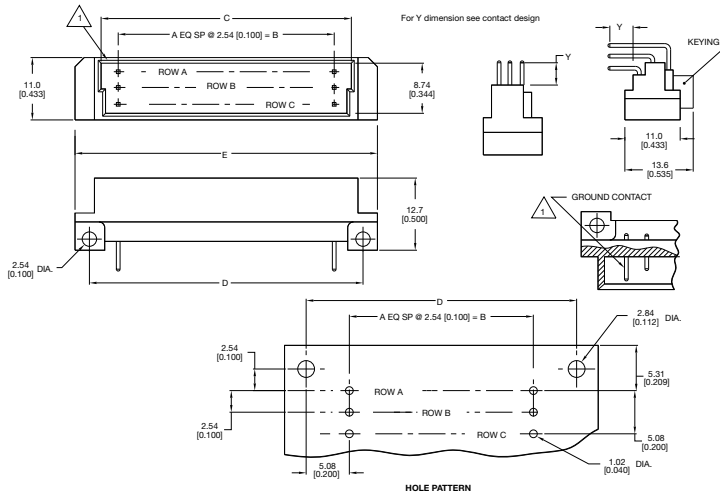


16 contacts, row a loading only



46 + 2 contacts, fully loaded with ground in A1 & A16

△ denotes ground pin

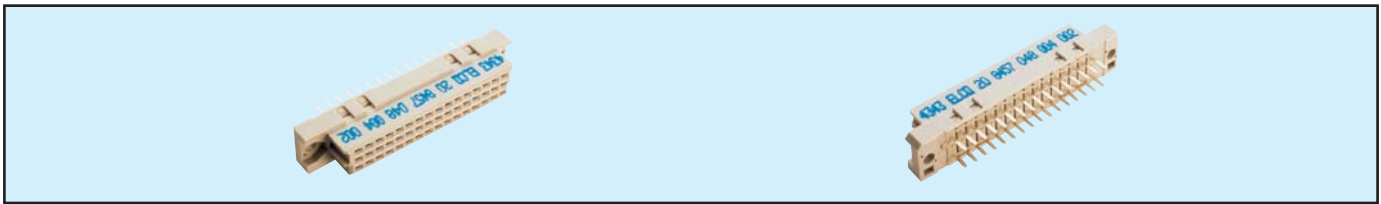


Unit: millimeters (inches)

| No. Contact Positions | Contact Rows | A  | B                | C                | D                | E                |
|-----------------------|--------------|----|------------------|------------------|------------------|------------------|
| 48                    | 3 (3 x 16)   | 15 | 38.10<br>(1.500) | 44.70<br>(1.760) | 48.26<br>(1.900) | 53.90<br>(2.122) |

# Female Style 1/2 C

## Series 8457 – 3 rows (3 x 16)

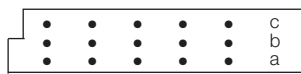


| Contact Design and Termination Length                | Number of Contacts | Loading Description    | Part Number Performance classes according to DIN 41612 |                     |
|--|--------------------|------------------------|--|---------------------|
|  |                    |                        | II   | I                   |
| 0.6 x 0.6 mm Post Profile<br>4.5 mm (Y) Straight     | 48                 | a + b + c fully loaded | 20 8457 048 001 025                                    | 20 8457 048 001 049 |
|  | 32                 | a + c fully loaded     | 20 8457 048 001 026                                    | 20 8457 048 001 050 |
|  | 16                 | a loading only         | 20 8457 048 001 027                                    | 20 8457 048 001 051 |
| 0.6 x 0.6 mm Post Profile<br>2.9 mm (Y) Straight     | 48                 | a + b + c fully loaded | 20 8457 048 002 025                                    | 20 8457 048 002 049 |
|  | 32                 | a + c fully loaded     | 20 8457 048 002 026                                    | 20 8457 048 002 050 |
|  | 16                 | a loading only         | 20 8457 048 002 027                                    | 20 8457 048 002 051 |
| 0.6 x 0.6 mm Post Profile<br>13.0 mm (Y) Straight    | 48                 | a + b + c fully loaded | 20 8457 048 005 025                                    | 20 8457 048 005 049 |
|  | 32                 | a + c fully loaded     | 20 8457 048 005 026                                    | 20 8457 048 005 050 |
|  | 16                 | a loading only         | 20 8457 048 005 027                                    | 20 8457 048 005 051 |
| 0.6 x 0.6 mm Post Profile<br>7.0 mm (Y) Straight     | 48                 | a + b + c fully loaded | 20 8457 048 010 025                                    | 20 8457 048 010 049 |
|  | 32                 | a + c fully loaded     | 20 8457 048 010 026                                    | 20 8457 048 010 050 |
|  | 16                 | a loading only         | 20 8457 048 010 027                                    | 20 8457 048 010 051 |
| 0.6 x 0.6 mm Post Profile<br>3.5 mm (Y) Straight     | 48                 | a + b + c fully loaded | 20 8457 048 011 025                                    | 20 8457 048 011 049 |
|  | 32                 | a + c fully loaded     | 20 8457 048 011 026                                    | 20 8457 048 011 050 |
|  | 16                 | a loading only         | 20 8457 048 011 027                                    | 20 8457 048 011 051 |
| 0.6 x 0.6 mm Post Profile<br>19.4 mm (Y) Straight    | 48                 | a + b + c fully loaded | 20 8457 048 012 025                                    | 20 8457 048 012 049 |
|  | 32                 | a + c fully loaded     | 20 8457 048 012 026                                    | 20 8457 048 012 050 |
|  | 16                 | a loading only         | 20 8457 048 012 027                                    | 20 8457 048 012 051 |
| 0.6 x 0.6 mm Post Profile<br>4.5 mm (Y) Right Angled | 48                 | a + b + c fully loaded | 20 8457 048 013 025                                    | 20 8457 048 013 049 |
|  | 32                 | a + c fully loaded     | 20 8457 048 013 026                                    | 20 8457 048 013 050 |
|  | 16                 | a loading only         | 20 8457 048 013 027                                    | 20 8457 048 013 051 |

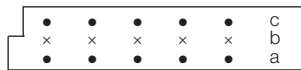
NB: Alternative Prefix Variations Available: 22, 24, 25, 26 & 27, please refer to Page 10.

Additional Plating & Loading Variations: Please contact your local AVX sales office or distributor.

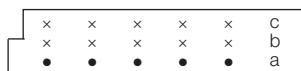
### LOADING DESCRIPTION



48 contacts, rows a + b + c fully loaded

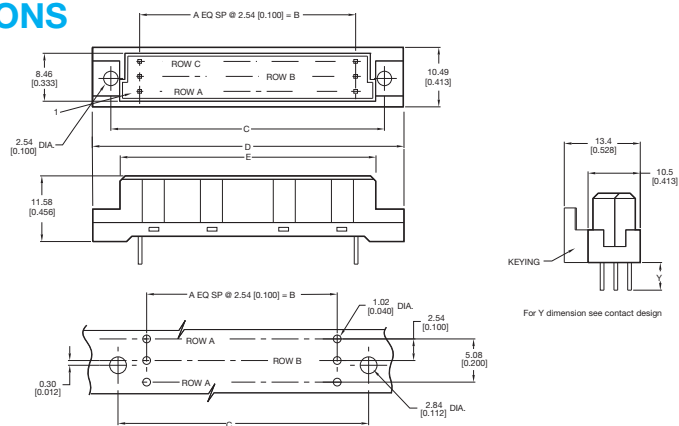


32 contacts, rows a + c fully loaded



16 contacts, row a loading only

### DIMENSIONS



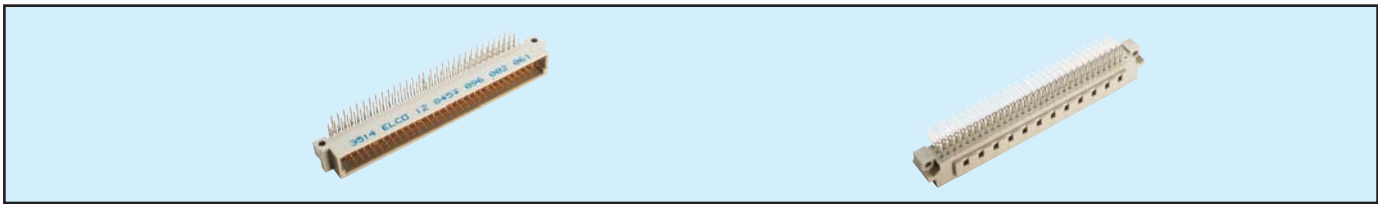
Unit: millimeters (inches)

| No. Contact Positions | Contact Rows | A  | B                | C                | D                | E                |
|-----------------------|--------------|----|------------------|------------------|------------------|------------------|
| 48                    | 3 (3 x 16)   | 15 | 38.10<br>(1.500) | 50.01<br>(1.969) | 54.89<br>(2.161) | 44.30<br>(1.744) |

# Male Style C



## Series 8457 – 3 rows (3 x 32)

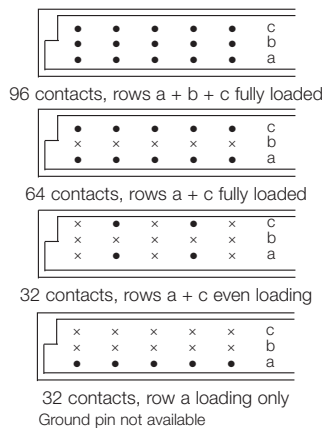


| Contact Design and Termination Length | Number of Contacts | Loading Description | Part Number Performance classes according to DIN 41612 |                     |                     |
|---------------------------------------|--------------------|---------------------|--|---------------------|---------------------|
|                                       |                    |                     | II   | I                   |                     |
| 3.4 mm (Y)<br>Straight                |                    | 96                  | a + b + c fully loaded                                 | 10 8457 096 001 025 | 10 8457 096 001 049 |
|                                       |                    | 64                  | a + c fully loaded                                     | 10 8457 096 001 026 | 10 8457 096 001 050 |
|                                       |                    | 32                  | a + c even loading                                     | 10 8457 096 001 033 | 10 8457 096 001 057 |
|                                       |                    | 32                  | a loading only   | 10 8457 096 001 027 | 10 8457 096 001 051 |
|                                       |                    |                     |  |                     |                     |
| 3.0 mm (Y)<br>Right Angled            |                    | 96                  | a + b + c fully loaded                                 | 10 8457 096 002 025 | 10 8457 096 002 049 |
|                                       |                    | 64                  | a + c fully loaded                                     | 10 8457 096 002 026 | 10 8457 096 002 050 |
|                                       |                    | 32                  | a + c even loading                                     | 10 8457 096 002 033 | 10 8457 096 002 057 |
|                                       |                    | 32                  | a loading only   | 10 8457 096 002 027 | 10 8457 096 002 051 |
|                                       |                    |                     |  |                     |                     |
| 13.0 mm (Y)<br>Straight               |                    | 96                  | a + b + c fully loaded                                 | 10 8457 096 003 025 | 10 8457 096 003 049 |
|                                       |                    | 64                  | a + c fully loaded                                     | 10 8457 096 003 026 | 10 8457 096 003 050 |
|                                       |                    | 32                  | a + c even loading                                     | 10 8457 096 003 033 | 10 8457 096 003 057 |
|                                       |                    | 32                  | a loading only   | 10 8457 096 003 027 | 10 8457 096 003 051 |
|                                       |                    |                     |  |                     |                     |
| 11.3mm (Y)<br>Right Angled            |                    | 96                  | a + b + c fully loaded                                 | 10 8457 096 004 025 | 10 8457 096 004 049 |
|                                       |                    | 64                  | a + c fully loaded                                     | 10 8457 096 004 026 | 10 8457 096 004 050 |
|                                       |                    | 32                  | a + c even loading                                     | 10 8457 096 004 033 | 10 8457 096 004 057 |
|                                       |                    | 32                  | a loading only   | 10 8457 096 004 027 | 10 8457 096 004 051 |
|                                       |                    |                     |  |                     |                     |
| 7.7 mm (Y)<br>Solder Hole             |                    | 96                  | a + b + c fully loaded                                 | 10 8457 096 006 025 | 10 8457 096 006 049 |
|                                       |                    | 64                  | a + c fully loaded                                     | 10 8457 096 006 026 | 10 8457 096 006 050 |
|                                       |                    | 32                  | a + c even loading                                     | 10 8457 096 006 033 | 10 8457 096 006 057 |
|                                       |                    | 32                  | a loading only   | 10 8457 096 006 027 | 10 8457 096 006 051 |
|                                       |                    |                     |  |                     |                     |
| 6.4 mm (Y)<br>Solder Loop             |                    | 96                  | a + b + c fully loaded                                 | 10 8457 096 007 025 | 10 8457 096 007 049 |
|                                       |                    | 64                  | a + c fully loaded                                     | 10 8457 096 007 026 | 10 8457 096 007 050 |
|                                       |                    | 32                  | a + c even loading                                     | 10 8457 096 007 033 | 10 8457 096 007 057 |
|                                       |                    | 32                  | a loading only   | 10 8457 096 007 027 | 10 8457 096 007 051 |
|                                       |                    |                     |  |                     |                     |
| 2.3 mm (Y)<br>Right Angled            |                    | 96                  | a + b + c fully loaded                                 | 10 8457 096 008 025 | 10 8457 096 008 049 |
|                                       |                    | 64                  | a + c fully loaded                                     | 10 8457 096 008 026 | 10 8457 096 008 050 |
|                                       |                    | 32                  | a + c even loading                                     | 10 8457 096 008 033 | 10 8457 096 008 057 |
|                                       |                    | 32                  | a loading only   | 10 8457 096 008 027 | 10 8457 096 008 051 |
|                                       |                    |                     |  |                     |                     |

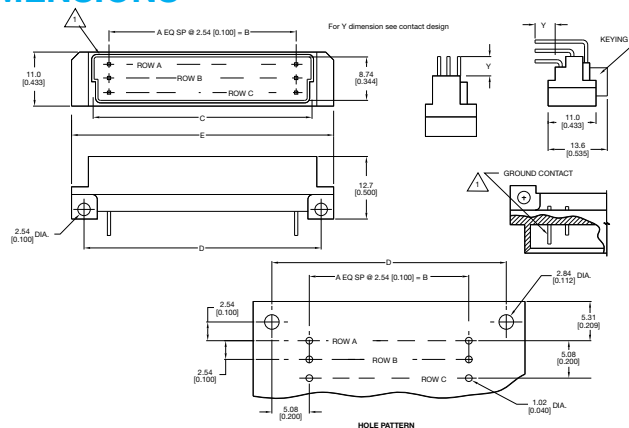
NB: Alternative Prefix Variations Available: 12, 16 & 17, please refer to Page 10.

Additional Plating & Loading Variations: Please contact your local AVX sales office or distributor.

### LOADING DESCRIPTION



### DIMENSIONS

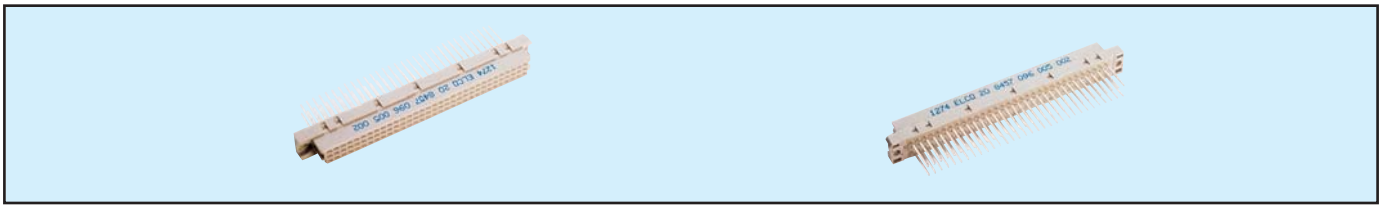


Unit: millimeters (inches)

|                       |               |
|-----------------------|---------------|
| No. Contact Positions | 96            |
| Contact Rows          | 3 (3 x 32)    |
| A                     | 31            |
| B                     | 78.74 (3.100) |
| C                     | 85.29 (3.358) |
| D                     | 88.90 (3.500) |
| E                     | 93.90 (3.697) |

# Female Style C

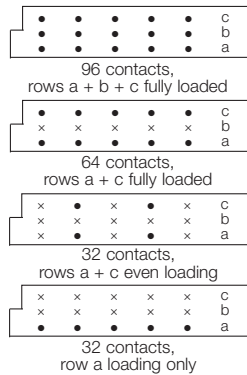
## Series 8457 – 3 rows (3 x 32)



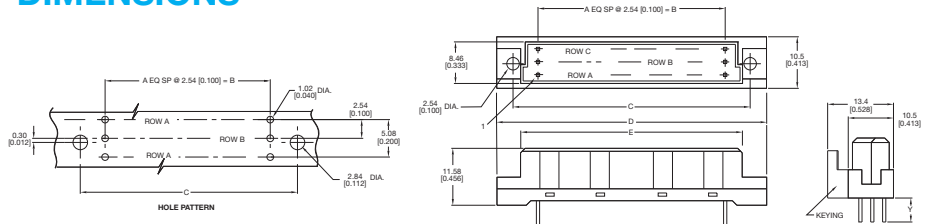
| Contact Design and Termination Length                | Number of Contacts | Loading Description    | Part Number Performance classes according to DIN 41612 |                     |
|--|--------------------|------------------------|--|---------------------|
|  |                    |                        | II   | I                   |
| 0.6 x 0.6 mm Post Profile<br>4.5 mm (Y) Straight     | 96                 | a + b + c fully loaded | 20 8457 096 001 025                                    | 20 8457 096 001 049 |
|  | 64                 | a + c fully loaded     | 20 8457 096 001 026                                    | 20 8457 096 001 050 |
|  | 32                 | a + c even loading     | 20 8457 096 001 033                                    | 20 8457 096 001 057 |
|  | 32                 | a loading only         | 20 8457 096 001 027                                    | 20 8457 096 001 051 |
| 0.6 x 0.6 mm Post Profile<br>2.9 mm (Y) Straight     | 96                 | a + b + c fully loaded | 20 8457 096 002 025                                    | 20 8457 096 002 049 |
|  | 64                 | a + c fully loaded     | 20 8457 096 002 026                                    | 20 8457 096 002 050 |
|  | 32                 | a + c even loading     | 20 8457 096 002 033                                    | 20 8457 096 002 057 |
|  | 32                 | a loading only         | 20 8457 096 002 027                                    | 20 8457 096 002 051 |
| 0.6 x 0.6 mm Post Profile<br>13.0 mm (Y) Straight    | 96                 | a + b + c fully loaded | 20 8457 096 005 025                                    | 20 8457 096 005 049 |
|  | 64                 | a + c fully loaded     | 20 8457 096 005 026                                    | 20 8457 096 005 050 |
|  | 32                 | a + c even loading     | 20 8457 096 005 033                                    | 20 8457 096 005 057 |
|  | 32                 | a loading only         | 20 8457 096 005 027                                    | 20 8457 096 005 051 |
| 0.6 x 0.6 mm Post Profile<br>7.0 mm (Y) Straight     | 96                 | a + b + c fully loaded | 20 8457 096 010 025                                    | 20 8457 096 010 049 |
|  | 64                 | a + c fully loaded     | 20 8457 096 010 026                                    | 20 8457 096 010 050 |
|  | 32                 | a + c even loading     | 20 8457 096 010 033                                    | 20 8457 096 010 057 |
|  | 32                 | a loading only         | 20 8457 096 010 027                                    | 20 8457 096 010 051 |
| 0.6 x 0.6 mm Post Profile<br>3.5 mm (Y) Straight     | 96                 | a + b + c fully loaded | 20 8457 096 011 025                                    | 20 8457 096 011 049 |
|  | 64                 | a + c fully loaded     | 20 8457 096 011 026                                    | 20 8457 096 011 050 |
|  | 32                 | a + c all even loading | 20 8457 096 011 033                                    | 20 8457 096 011 057 |
|  | 32                 | a loading only         | 20 8457 096 011 027                                    | 20 8457 096 011 051 |
| 0.6 x 0.6 mm Post Profile<br>19.4 mm (Y) Straight    | 96                 | a + b + c fully loaded | 20 8457 096 012 025                                    | 20 8457 096 012 049 |
|  | 64                 | a + c fully loaded     | 20 8457 096 012 026                                    | 20 8457 096 012 050 |
|  | 32                 | a + c even loading     | 20 8457 096 012 033                                    | 20 8457 096 012 057 |
|  | 32                 | a loading only         | 20 8457 096 012 027                                    | 20 8457 096 012 051 |
| 0.6 x 0.6 mm Post Profile<br>4.5 mm (Y) Right Angled | 96                 | a + b + c fully loaded | 20 8457 096 013 025                                    | 20 8457 096 013 049 |
|  | 64                 | a + c fully loaded     | 20 8457 096 013 026                                    | 20 8457 096 013 050 |
|  | 32                 | a + c even loading     | 20 8457 096 013 033                                    | 20 8457 096 013 057 |
|  | 32                 | a loading only         | 20 8457 096 013 027                                    | 20 8457 096 013 051 |

NB: Alternative Prefix Variations Available: 22, 24, 25, 26 & 27, please refer to Page 10.  
Additional Plating & Loading Variations: Please contact your local AVX sales office or distributor.

### LOADING DESCRIPTION



### DIMENSIONS

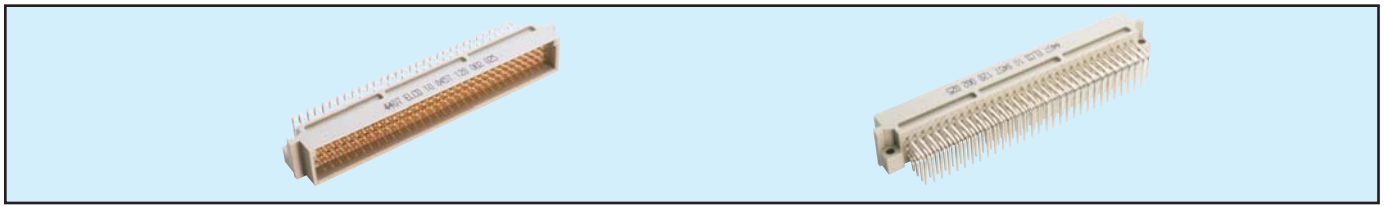


| No. Contact Positions | Contact Rows | A  | B             | C             | D             | E             |
|-----------------------|--------------|----|---------------|---------------|---------------|---------------|
| 96                    | 3 (3 x 32)   | 31 | 78.74 (3.100) | 89.99 (3.543) | 94.89 (3.736) | 84.91 (3.343) |

# Male Style C Expanded



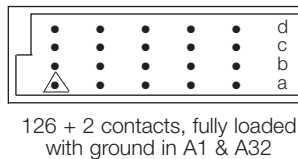
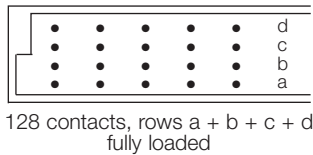
## Series 8457 – 4 rows (4 x 32)



| Contact Design and Termination Length | Number of Contacts | Loading Description          | Part Number<br>Performance classes according to DIN 41612 |                     |
|---------------------------------------|--------------------|------------------------------|---|---------------------|
|                                       |                    |                              | II  | I                   |
| 3.4 mm (Y)<br>Straight                | 128                | a + b + c + d fully loaded   | 10 8457 128 001 025                                       | 10 8457 128 001 049 |
|                                       | 126 + 2            | 4 rows fully loaded + ground | 10 8457 128 101 025                                       | 10 8457 128 101 049 |
| 3.0 mm (Y)<br>Right Angled            | 128                | a + b + c + d fully loaded   | 10 8457 128 002 025                                       | 10 8457 128 002 049 |
|                                       | 126 + 2            | 4 rows fully loaded + ground | 10 8457 128 102 025                                       | 10 8457 128 102 049 |

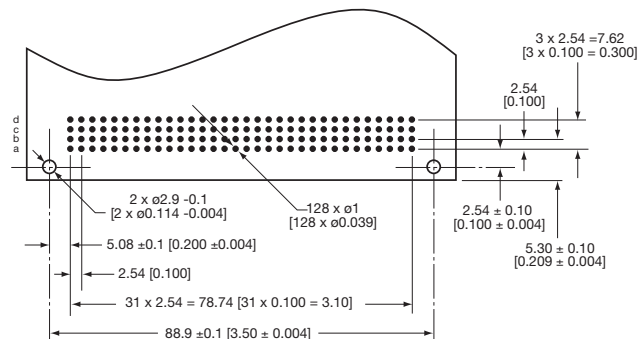
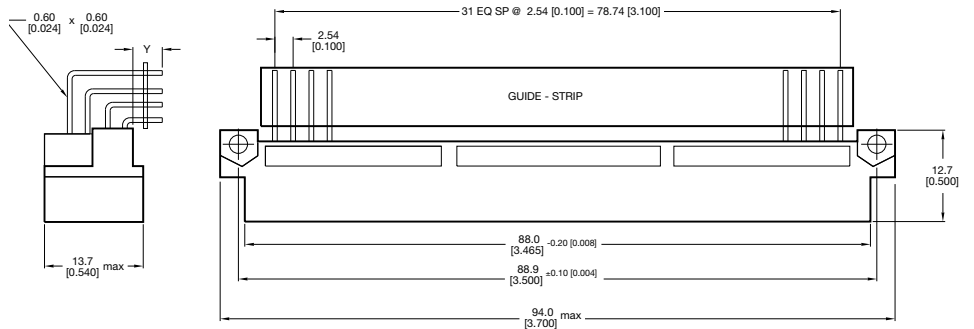
NB: Alternative Prefix Variations Available: 12, 16 & 17, please refer to Page 10.  
Additional Plating & Loading Variations: Please contact your local AVX sales office or distributor.

### LOADING DESCRIPTION



△ denotes ground pin

### DIMENSIONS

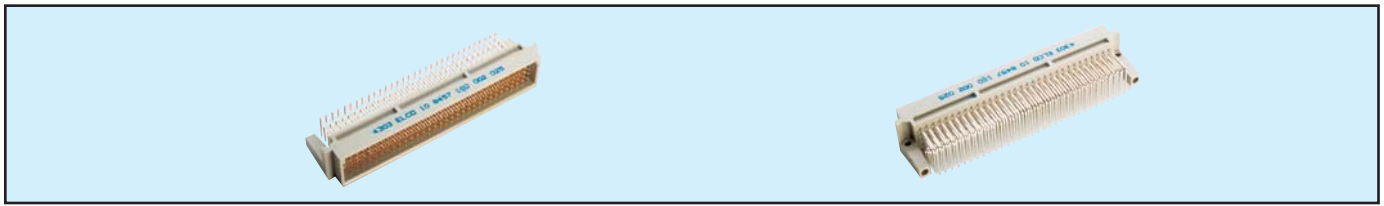


HOLE PATTERN

# Male Style C Expanded



## Series 8457 – 5 rows (5 x 32)

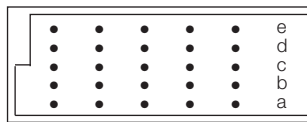


| Contact Design and Termination Length | Number of Contacts | Loading Description            | Part Number Performance classes according to DIN 41612 |                     |
|---------------------------------------|--------------------|--------------------------------|--|---------------------|
|                                       |                    |                                | II   | I                   |
| 3.4 mm (Y)<br>Straight                | 160                | a + b + c + d + e fully loaded | 10 8457 160 001 025                                    | 10 8457 160 001 049 |
|                                       | 158 + 2            | 5 rows fully loaded + ground   | 10 8457 160 101 025                                    | 10 8457 160 101 049 |
| 3.0 mm (Y)<br>Right Angled            | 160                | a + b + c + d + e fully loaded | 10 8457 160 002 025                                    | 10 8457 160 002 049 |
|                                       | 158 + 2            | 5 rows fully loaded + ground   | 10 8457 160 102 025                                    | 10 8457 160 102 049 |

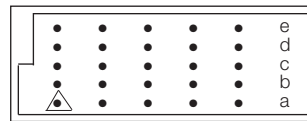
NB: Alternative Prefix Variations Available: 16 & 17, please refer to Page 10.

Additional Plating & Loading Variations: Please contact your local AVX sales office or distributor.

### LOADING DESCRIPTION



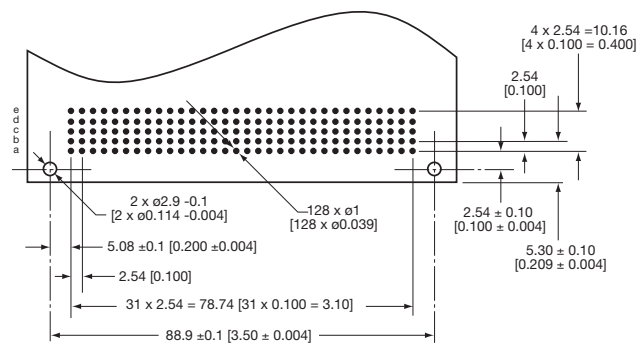
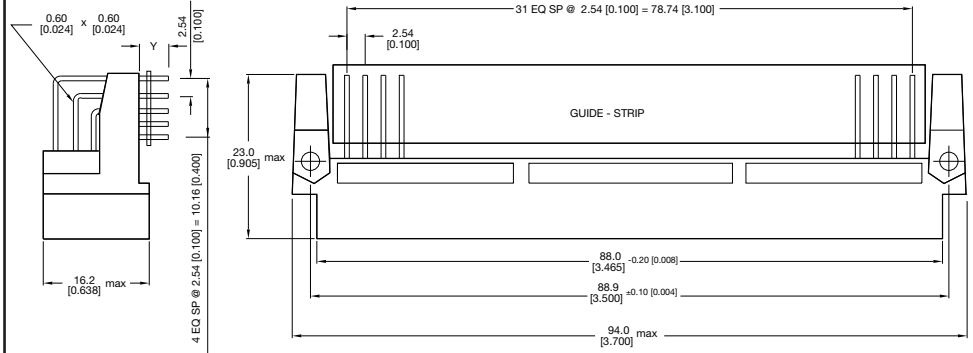
160 contacts, rows a + b + c + d + e fully loaded



158 + 2 contacts, fully loaded with ground in A1 & A32

△ denotes ground pin

### DIMENSIONS



HOLE PATTERN

## Looking for pricing, stock, or lifecycle information?

Click below to explore more details on WIN SOURCE:

 [View 10-8457-128-002-025 on WIN SOURCE](#)

 [AVX Corporation](#) Information

## Optimize Your Supply Chain with WIN SOURCE Solutions

-  Global Sourcing Solution
-  Obsolete Management
-  Cost Control Management
-  Shortage Management
-  Alternative Solution
-  Excess Inventory Management