



THE DATASHEET OF SC-1612



SUMICON 1600 SERIES RECTANGULAR CONNECTORS

The SUMICON 1600 series are multi-contact connectors designed by Hirose. 8, 12, 16, 20, 24, 28, 34, 45 and 60-contact models available (same as the 1300 series). The connector units are available in three types: soldering, wrapping, and crimping. Accessories

are C case, CA case, CBA case, ST stopper, STA stopper, and STB stopper. By combining the many options noted above, the SUMICON 1600 series connectors meet a wide variety of applications.

Standard Type

General

In the SUMICON 1600 series, the connector unit is completely separated from the accessories such as the cases and stoppers to diversify the specifications and

facilitate wiring connection. The SUMICON 1600 series are specified in the NTT specifications No.1931.

Electrical Characteristics

| Item | Standard |
|-----------------------|---------------------------|
| Contact Resistance | 7mΩ or less at DC1A |
| Insulation Resistance | 1000M Ω or mote at DC500V |
| Withstand Voltage | AC1000V for 1 minute |
| Current Rating | 3A |
| Voltage Rating | AC300V |

Material and Finish

| Part | Material | Finish |
|-----------------|------------------------------------|--|
| Insulator | Glass filled diallyphthalate resin | Blue |
| Male Terminal | Brass | Type A: Silver-plated |
| Female Terminal | Phosphor bronze | Type B: Gold-plated |
| Plug Case | ABS resin (black) | NTT spec: ABS resin, 2.5PB 6.0/2.0 (color) |
| Stopper Bracket | Steel | Treatment with chromate over zinc plating |

Wire Wrapping Specifications

| Applicable wire | AWG | 26 | 28 | 30 |
|----------------------------------|----------------------|------------------|------------------|------------------|
| | Applicable wire (mm) | 0.41 | 0.32 | 0.26 |
| | Max.coating O.D.(mm) | 0.95 | 0.75 | 0.6 |
| Wrapping method | Ordinary wrapping | Coating one wrap | Coating one wrap | Coating one wrap |
| Effective number of wrappings | about 8 | about 8 | about 8 | about 9 |
| Number of wrappings per terminal | 2 wrap | | | |

Ordering Information

P
W
—
16
34
□
A
—
C
□
()

(1)
(2)
(3)
(4)
(5)
(6)
(7)
(8)
(9)

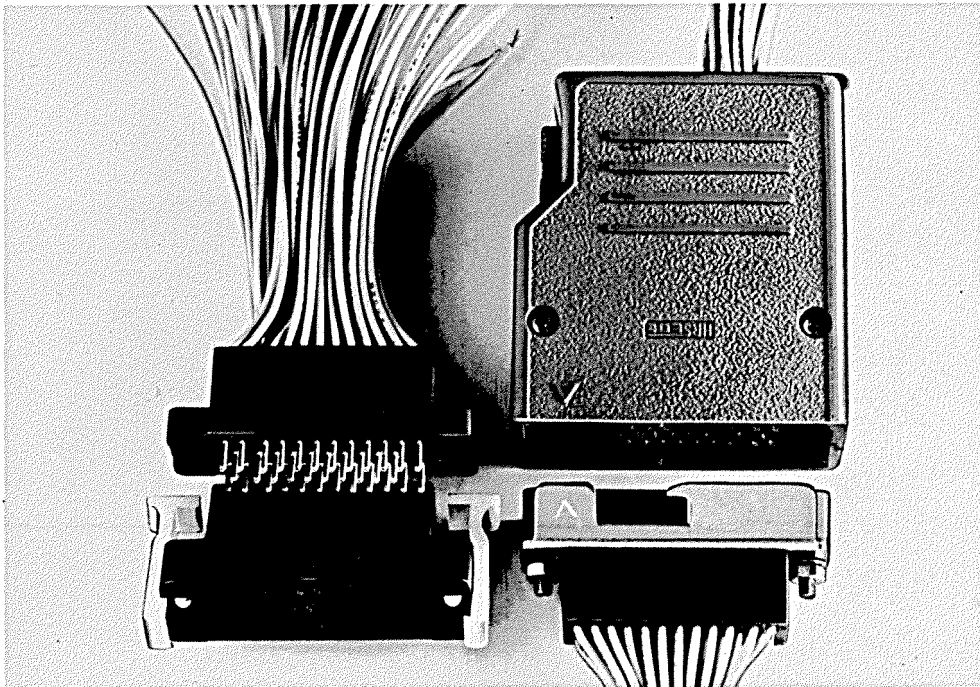
- (1) Shape of terminal opening
P: Male terminal
S: Female terminal
- (2) Terminal connection method
No sign: Soldering
W: Wrapping
- (3) Series No.
16: 1600 series
- (4) Number of contacts 34: 34 contacts
- (5) Serial sign for connector units
Provided with a sequence of upper-case alphabetic characters.
No sign or sign other than W: Soldering
Sequence: No sign, B,C,D,E ...
- (6) Plating
A: Silver-plated
B: Gold-plated
- (7) Signs for accessories
C: Plug case

- ST: Stopper bracket with horizontal cable inlet opening
- J: ~~Jack Case~~
- H: Handle
- DB: Deep bracket
- (8) Serial signs for accessories
Each accessory (C,ST,J,H,DB) is provided with sequence of upper-case alphabetic characters.
Sequence: No sign, A,B,C...
Accessories, C,ST, or J followed by "no sign": Side lock types
Accessories, C and ST followed By A: Top touch lock type
Note: The space for no sign is filled sequentially.
- (9) Special specification number
For a special specification, () is filled with a serial number, except for the case and bracket, for which the following apply.
(01): Bracket only
(20): Case only

Cross Reference to NTT No.

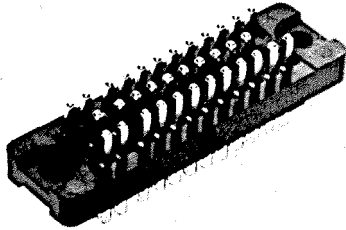
| Type | NTT No. | Short Form | HRS No. | Part No. | Type | NTT No. | Short Form | HRS No. | Part No. |
|----------------|----------------|-----------------|-----------------|------------------|---------------|-----------------|------------------|------------------|-------------------|
| Plug | CN-3320GLWPMSA | 20GLWPMSA | CL216-0247-5-01 | P-1620BA-CA(01) | Receptacle | CN-5445GJMSA | 45GJMSA | CL216-0257-9-01 | P-1645BA-STA(01) |
| | CN-4028GLWPMSA | 28GLWPMSA | CL216-0249-0-01 | P-1628BA-CA(01) | | CN-6760GJMSA | 60GJMSA | CL216-0258-1-01 | P-1660BA-STA(01) |
| | CN-4534GLWPMSA | 34GLWPMSA | CL216-0250-0-01 | P-1634BA-CA(01) | | CN-3320G2JMSA | 20G2JMSA | CL216-0292-0-01 | PW-1620BA-STA(01) |
| | CN-5445GLWPMSA | 45GLWPMSA | CL216-0251-2-01 | P-1645BA-CA(01) | | CN-3724G2JMSA | 24G2JMSA | CL216-0293-2-01 | PW-1624BA-STA(01) |
| | CN-6760GLWPMSA | 60GLWPMSA | CL216-0252-5-01 | P-1660BA-CA(01) | | CN-4028G2JMSA | 28G2JMSA | CL216-0294-5-01 | PW-1628BA-STA(01) |
| | CN-3320GLWPFSA | 20GLWPFSA | CL216-0153-3-01 | S-1620A-CA(01) | | CN-4534G2JMSA | 34G2JMSA | CL216-0296-0-01 | PW-1634A-STA(01) |
| | CN-3724GLWPFSA | 24GLWPFSA | CL216-0154-6-01 | S-1624A-CA(01) | | CN-6760G2JMSA | 60G2JMSA | CL216-0298-6-01 | PW-1660BA-STA(01) |
| | CN-4028GLWPFSA | 28GLWPFSA | CL216-0155-9-01 | S-1628A-CA(01) | | CN-3320GJFSA | 20GJFSA | CL216-0151-8-01 | S-1620A-STA(01) |
| | CN-4534GLWPFSA | 34GLWPFSA | CL216-0126-0-01 | S-1634A-CA(01) | | CN-3724GJFSA | 24GJFSA | CL216-0148-3-01 | S-1624A-STA(01) |
| | CN-5445GLWPFSA | 45GLWPFSA | CL216-0127-3-01 | S-1645A-CA(01) | | CN-4028GJFSA | 28GJFSA | CL216-0152-0-01 | S-1628A-STA(01) |
| CN-6760GLWPFSA | 60GLWPFSA | CL216-0128-6-01 | S-1660A-CA(01) | CN-4028G2JFSA | 28G2JFSA | CL216-0313-8-01 | SW-1628A-STA(01) | | |
| Receptacle | CN-3724GJMSA | 24GJMSA | CL216-0254-0-01 | P-1624BA-STA(01) | CN-4534G2JFSA | 34G2JFSA | CL216-0299-9-01 | SW-1634A-STA(01) | |
| | CN-4028GJMSA | 28GJMSA | CL216-0255-3-01 | P-1628BA-STA(01) | CN-5445G2JFSA | 45G2JFSA | CL216-0300-6-01 | SW-1645A-STA(01) | |
| | CN-4534GJMSA | 34GJMSA | CL216-0256-6-01 | P-1634BA-STA(01) | CN-6760G2JFSA | 60G2JFSA | CL216-0301-9-01 | SW-1660A-STA(01) | |

Note: NTT Types are all assembled with connector inserts and plug shells or stopper brackets.

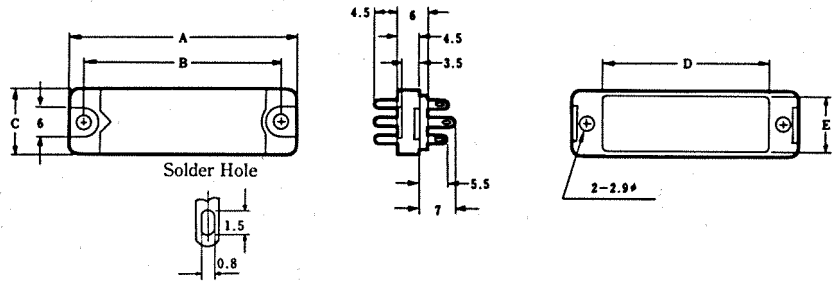


Soldering Eyelet Pin Connector

Male Connector



CL216-0177-1
P-1634BA

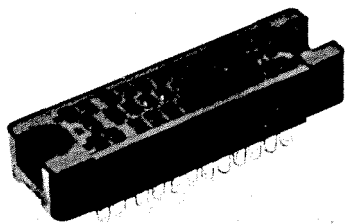


Unit: mm

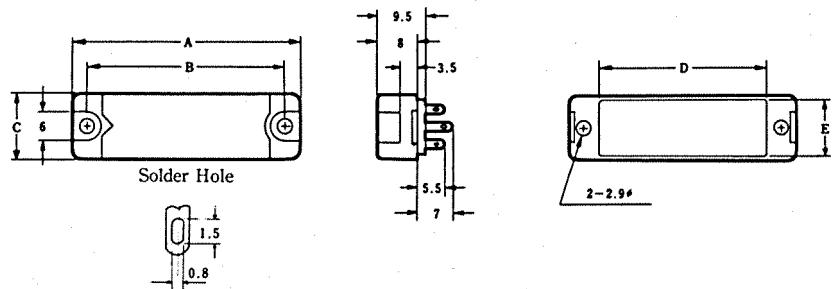
| No. of Pins | A Type | | G Type | | A | B | C | D | E |
|-------------|------------------|--------------|------------------|--------------|----|----|----|----|----|
| | HRS No. | Part No. | HRS No. | Part No. | | | | | |
| 8 | *CL216-0171-5-09 | P-1608BA(09) | *CL216-0180-6-09 | P-1608BG(09) | 25 | 19 | 10 | 13 | 8 |
| 12 | *CL216-0172-8-09 | P-1612BA(09) | *CL216-0181-9-09 | P-1612BG(09) | 30 | 24 | 10 | 18 | 8 |
| 16 | *CL216-0173-0-09 | P-1616BA(09) | *CL216-0182-1-09 | P-1616BG(09) | 35 | 29 | 10 | 23 | 8 |
| 20 | *CL216-0174-3-09 | P-1620BA(09) | *CL216-0183-4-09 | P-1620BG(09) | 33 | 27 | 13 | 21 | 11 |
| 24 | *CL216-0175-6-09 | P-1624BA(09) | *CL216-0184-7-09 | P-1624BG(09) | 37 | 31 | 13 | 25 | 11 |
| 28 | *CL216-0176-9-09 | P-1628BA(09) | *CL216-0185-0-09 | P-1628BG(09) | 40 | 34 | 13 | 28 | 11 |
| 34 | *CL216-0177-1-09 | P-1634BA(09) | *CL216-0186-2-09 | P-1634BG(09) | 45 | 39 | 13 | 33 | 11 |
| 45 | *CL216-0178-4-09 | P-1645BA(09) | *CL216-0187-5-09 | P-1645BG(09) | 54 | 48 | 13 | 42 | 11 |
| 60 | *CL216-0179-7-09 | P-1660BA(09) | *CL216-0188-8-09 | P-1660BG(09) | 67 | 61 | 13 | 55 | 11 |

*: Standard

Female Connector



CL216-0007-1
S-1634A



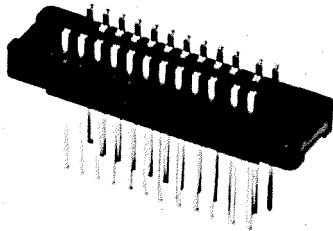
Unit: mm

| No. of Pin | A Type | | G Type | | A | B | C | D | E |
|------------|------------------|-------------|------------------|-------------|----|----|----|----|----|
| | HRS No. | Part No. | HRS No. | Part No. | | | | | |
| 8 | *CL216-0001-5-09 | S-1608A(09) | *CL216-0055-4-09 | S-1608G(09) | 25 | 19 | 10 | 13 | 8 |
| 12 | *CL216-0002-8-09 | S-1612A(09) | *CL216-0056-7-09 | S-1612G(09) | 30 | 24 | 10 | 18 | 8 |
| 16 | *CL216-0003-0-09 | S-1616A(09) | *CL216-0057-0-09 | S-1616G(09) | 35 | 29 | 10 | 23 | 8 |
| 20 | *CL216-0004-3-09 | S-1620A(09) | *CL216-0058-2-09 | S-1620G(09) | 33 | 27 | 13 | 21 | 11 |
| 24 | *CL216-0005-6-09 | S-1624A(09) | *CL216-0059-5-09 | S-1624G(09) | 37 | 31 | 13 | 25 | 11 |
| 28 | *CL216-0006-9-09 | S-1628A(09) | *CL216-0060-4-09 | S-1628G(09) | 40 | 34 | 13 | 28 | 11 |
| 34 | *CL216-0007-1-09 | S-1634A(09) | *CL216-0061-7-09 | S-1634G(09) | 45 | 39 | 13 | 33 | 11 |
| 45 | *CL216-0008-4-09 | S-1645A(09) | *CL216-0062-0-09 | S-1645G(09) | 54 | 48 | 13 | 42 | 11 |
| 60 | *CL216-0009-7-09 | S-1660A(09) | *CL216-0063-2-09 | S-1660G(09) | 67 | 61 | 13 | 55 | 11 |

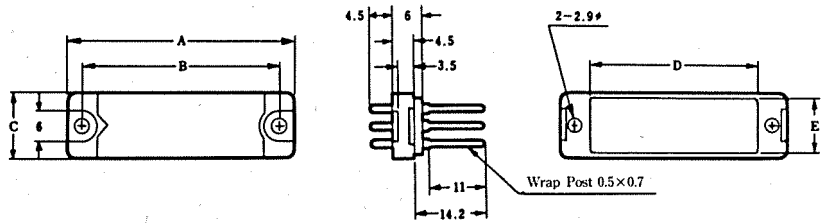
*: Standard

Wire Wrapping Pin Connector

Male connector



CL216-0204-2
PW-1634BA

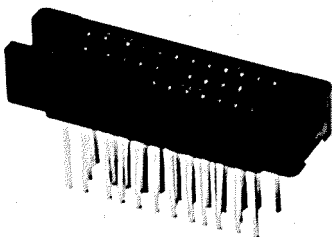


Unit: mm

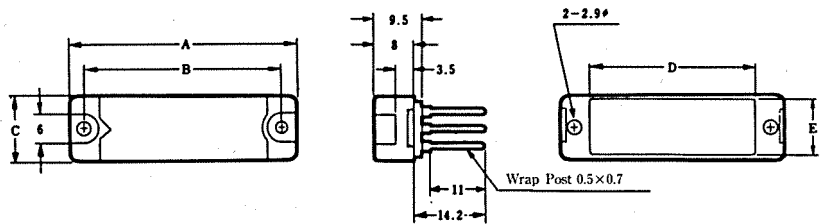
| No. of Pin | Type A | | Type G | | A | B | C | D | E |
|------------|------------------|---------------|-----------------|---------------|----|----|----|----|----|
| | HRS No. | Part No. | HRS No. | Part No. | | | | | |
| 8 | *CL216-0198-1-09 | PW-1608BA(09) | CL216-0216-1-09 | PW-1608BG(09) | 25 | 19 | 10 | 13 | 8 |
| 12 | *CL216-0199-4-09 | PW-1612BA(09) | CL216-0217-4-09 | PW-1612BG(09) | 30 | 24 | 10 | 18 | 8 |
| 16 | *CL216-0200-1-09 | PW-1616BA(09) | CL216-0218-7-09 | PW-1616BG(09) | 35 | 29 | 10 | 23 | 8 |
| 20 | *CL216-0201-4-09 | PW-1620BA(09) | CL216-0219-0-09 | PW-1620BG(09) | 33 | 27 | 13 | 21 | 11 |
| 24 | *CL216-0202-7-09 | PW-1624BA(09) | CL216-0220-9-09 | PW-1624BG(09) | 37 | 31 | 13 | 25 | 11 |
| 28 | *CL216-0203-0-09 | PW-1628BA(09) | CL216-0221-1-09 | PW-1628BG(09) | 40 | 34 | 13 | 28 | 11 |
| 34 | *CL216-0204-2-09 | PW-1634BA(09) | CL216-0222-4-09 | PW-1634BG(09) | 45 | 39 | 13 | 33 | 11 |
| 45 | *CL216-0205-5-09 | PW-1645BA(09) | CL216-0223-7-09 | PW-1645BG(09) | 54 | 48 | 13 | 42 | 11 |
| 60 | *CL216-0206-8-09 | PW-1660BA(09) | CL216-0224-0-09 | PW-1660BG(09) | 67 | 61 | 13 | 55 | 11 |

*: Standard

Female connector



CL216-0195-3
SW-1634A

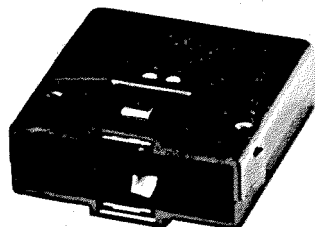


Unit: mm

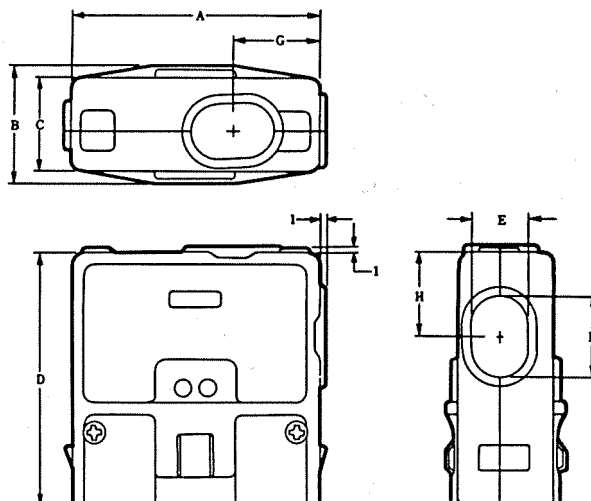
| No. of Pin | Type A | | Type G | | A | B | C | D | E |
|------------|------------------|--------------|-----------------|--------------|----|----|----|----|----|
| | HRS No. | Part No. | HRS No. | Part No. | | | | | |
| 8 | *CL216-0189-0-09 | SW-1608A(09) | CL216-0207-0-09 | SW-1608G(09) | 25 | 19 | 10 | 13 | 8 |
| 12 | *CL216-0190-0-09 | SW-1612A(09) | CL216-0208-3-09 | SW-1612G(09) | 30 | 24 | 10 | 18 | 8 |
| 16 | *CL216-0191-2-09 | SW-1616A(09) | CL216-0209-6-09 | SW-1616G(09) | 35 | 29 | 10 | 23 | 8 |
| 20 | *CL216-0192-5-09 | SW-1620A(09) | CL216-0210-5-09 | SW-1620G(09) | 33 | 27 | 13 | 21 | 11 |
| 24 | *CL216-0193-8-09 | SW-1624A(09) | CL216-0211-8-09 | SW-1624G(09) | 37 | 31 | 13 | 25 | 11 |
| 28 | *CL216-0194-0-09 | SW-1628A(09) | CL216-0212-0-09 | SW-1628G(09) | 40 | 34 | 13 | 28 | 11 |
| 34 | *CL216-0195-3-09 | SW-1634A(09) | CL216-0213-3-09 | SW-1634G(09) | 45 | 39 | 13 | 33 | 11 |
| 45 | *CL216-0196-6-09 | SW-1645A(09) | CL216-0214-6-09 | SW-1645G(09) | 54 | 48 | 13 | 42 | 11 |
| 60 | *CL216-0197-9-09 | SW-1660A(09) | CL216-0215-9-09 | SW-1660G(09) | 67 | 61 | 13 | 55 | 11 |

*: Standard

Side Touch Lock Type Plug Shell



CL216-0034-4-20
P-1634A-C(20)

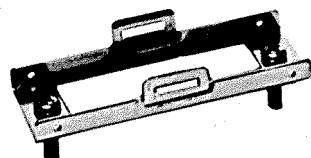


Unit: mm

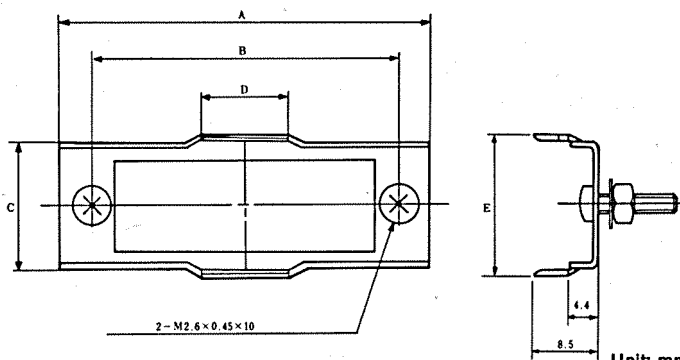
| No. of Pin | HRS No. | Part No. | A | B | C | D | E | F | G | H |
|------------|-------------------|---------------|----|----|------|------|-----|------|------|------|
| 8 | * CL216-0028-1-20 | P-1608A-C(20) | 29 | 20 | 14.5 | 42 | 7.5 | 7.5 | 12.5 | 12.5 |
| 12 | * CL216-0029-4-20 | P-1612A-C(20) | 34 | 20 | 14.5 | 43.5 | 7.5 | 9 | 13.5 | 13.5 |
| 16 | * CL216-0030-3-20 | P-1616A-C(20) | 39 | 20 | 14.5 | 46 | 7.5 | 11.5 | 14.5 | 14.5 |
| 20 | * CL216-0031-6-20 | P-1620A-C(20) | 37 | 23 | 17.5 | 45.5 | 11 | 11 | 14.5 | 14.5 |
| 24 | * CL216-0032-9-20 | P-1624A-C(20) | 41 | 23 | 17.5 | 46.5 | 11 | 12 | 15 | 15 |
| 28 | * CL216-0033-1-20 | P-1628A-C(20) | 44 | 23 | 17.5 | 47.5 | 11 | 13 | 15.5 | 15.5 |
| 34 | * CL216-0034-4-20 | P-1634A-C(20) | 49 | 23 | 17.5 | 50.5 | 11 | 16 | 17 | 17 |
| 45 | * CL216-0035-7-20 | P-1645A-C(20) | 58 | 23 | 18.5 | 54.5 | 11 | 19 | 18.5 | 19.5 |
| 60 | * CL216-0036-0-20 | P-1660A-C(20) | 71 | 23 | 18.5 | 59.5 | 11 | 24 | 21 | 22 |

Note: All these products are plug cases only. Order connector units separately. The cases can be used for both male and female connector units. The cases marked with an asterisk are of standard specifications. *: Standard

Side Touch Lock Type Receptacle Bracket



CL216-0052-6-01
P-1634A-ST(01)

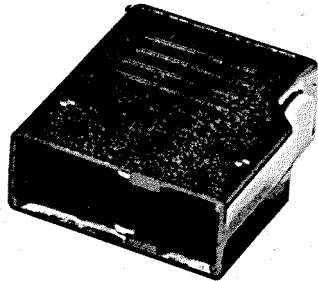


Unit: mm

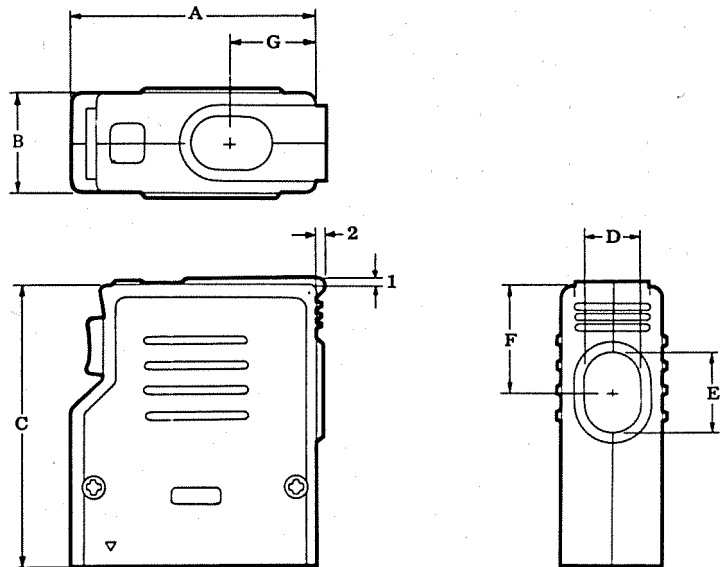
| No. of Pin | HRS No. | Part No. | A | B | C | D | E |
|------------|-------------------|----------------|----|----|------|-----|------|
| 8 | * CL216-0046-3-01 | P-1608A-ST(01) | 27 | 19 | 13.6 | 9.2 | 15.5 |
| 12 | * CL216-0047-6-01 | P-1612A-ST(01) | 32 | 24 | 13.6 | 9.2 | 15.5 |
| 16 | * CL216-0048-9-01 | P-1616A-ST(01) | 37 | 29 | 13.6 | 11 | 15.5 |
| 20 | * CL216-0049-1-01 | P-1620A-ST(01) | 35 | 27 | 16.6 | 11 | 18.5 |
| 24 | * CL216-0050-0-01 | P-1624A-ST(01) | 39 | 31 | 16.6 | 11 | 18.5 |
| 28 | * CL216-0051-3-01 | P-1628A-ST(01) | 42 | 34 | 16.6 | 11 | 18.5 |
| 34 | * CL216-0052-6-01 | P-1634A-ST(01) | 47 | 39 | 16.6 | 11 | 18.5 |
| 45 | * CL216-0053-9-01 | P-1645A-ST(01) | 56 | 48 | 16.6 | 15 | 18.5 |
| 60 | * CL216-0054-1-01 | P-1660A-ST(01) | 69 | 61 | 16.6 | 15 | 18.5 |

Note: All these products are stopper brackets only. Order connector units separately. The cases can be used for both male and female connector units. The brackets marked with an asterisk are of standard specifications. *: Standard

Top Touch Lock Type Plug Shell



CL216-0111-3-20
P-1634A-CA(20)

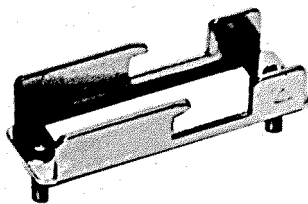


Unit: mm

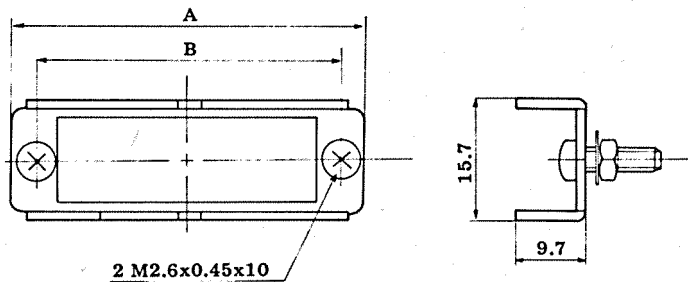
| No. of Pin | HRS No. | Part No. | A | B | C | D | E | F | G |
|------------|------------------|----------------|----|----|----|----|----|------|------|
| 20 | *CL216-0149-6-20 | P-1620A-CA(20) | 37 | 20 | 51 | 11 | 11 | 18 | 14.5 |
| 24 | *CL216-0147-0-20 | P-1624A-CA(20) | 41 | 20 | 51 | 11 | 12 | 18.5 | 15 |
| 28 | *CL216-0150-5-20 | P-1628A-CA(20) | 44 | 20 | 53 | 11 | 13 | 20 | 15.5 |
| 34 | *CL216-0111-3-20 | P-1634A-CA(20) | 49 | 20 | 56 | 11 | 16 | 21.5 | 17 |
| 45 | *CL216-0112-6-20 | P-1645A-CA(20) | 58 | 20 | 60 | 11 | 19 | 24 | 18.5 |
| 60 | *CL216-0113-9-20 | P-1660A-CA(20) | 71 | 20 | 65 | 11 | 24 | 26.5 | 21 |

Note: All these products are Plug cases only. Order connector units separately. The cases can be used for both male and female connector units. The cases marked with an asterisk are of standard specifications. *:Standard

Top Touch Lock Type Stopper Bracket



CL216-0123-2-01
P-1634A-STA(01)

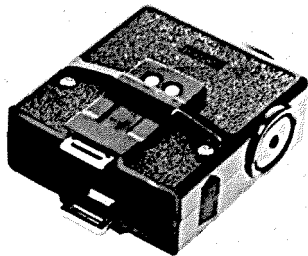


Unit: mm

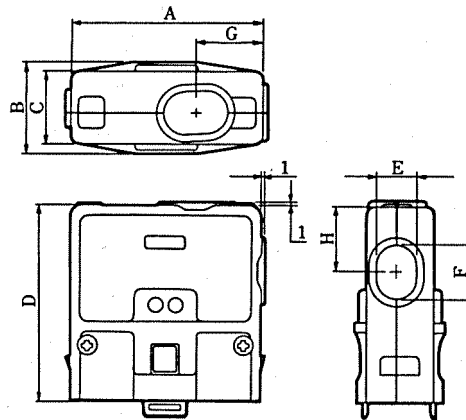
| No. of Pin | HRS No. | Part No. | A | B |
|------------|------------------|-----------------|----|----|
| 20 | *CL216-0156-1-01 | P-1620A-STA(01) | 33 | 27 |
| 24 | *CL216-0157-4-01 | P-1624A-STA(01) | 37 | 31 |
| 28 | *CL216-0158-7-01 | P-1628A-STA(01) | 40 | 34 |
| 34 | *CL216-0123-2-01 | P-1634A-STA(01) | 45 | 39 |
| 45 | *CL216-0124-5-01 | P-1645A-STA(01) | 54 | 48 |
| 60 | *CL216-0125-8-01 | P-1660A-STA(01) | 67 | 61 |

Note: All these products are stopper brackets only. Order connector units separately. The cases can be used for both male and female connector units. The brackets marked with an asterisk are of standard specifications. *: Standard

Side Touch Lock Type Jack Shell (For Extension Cable)



CL216-0142-7-20
S-1634A-J(20)

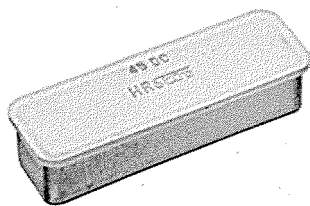


Unit: mm

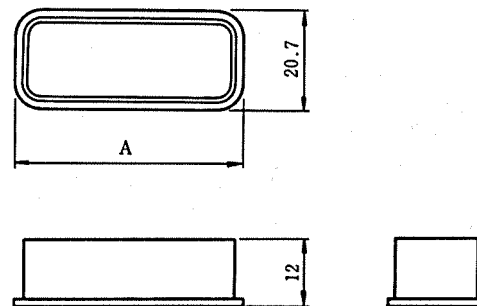
| No. of Pin | HRS No. | Part No. | A | B | C | D | E | F | G | H |
|------------|----------------------------|---------------|----|----|------|------|----|----|------|------|
| 20 | CL216-0139-2-20 | S-1620A-J(20) | 37 | 23 | 17.5 | 45.5 | 11 | 11 | 14.5 | 14.5 |
| 24 | CL216-0140-1-20 | S-1624A-J(20) | 41 | 23 | 17.5 | 46.5 | 11 | 12 | 15 | 15 |
| 28 | CL216-0141-4-20 | S-1628A-J(20) | 44 | 23 | 17.5 | 47.5 | 11 | 13 | 15.5 | 15.5 |
| 34 | CL216-0142-7-20 | S-1634A-J(20) | 49 | 23 | 17.5 | 50.5 | 11 | 16 | 17 | 17 |
| 45 | CL216-0225-2-20 | S-1645A-J(20) | 58 | 23 | 18.5 | 54.5 | 11 | 19 | 18.5 | 19.5 |
| 60 | CL216-0220-5-20 | S-1660A-J(20) | 71 | 23 | 18.5 | 59.5 | 11 | 24 | 21 | 22 |

Note: All these products are jack cases only. Order connector units separately. The cases can be used for female connector units only.

Top Touch Lock Type Stopper Bracket



CL216-0325-7
1645STA-DC



Unit: mm

| No. of Pin | HRS No. | Part No. | A |
|------------|--------------|------------|------|
| 20 | CL216-0321-6 | 1620STA-DC | 38.3 |
| 24 | CL216-0322-9 | 1624STA-DC | 42.3 |
| 28 | CL216-0323-1 | 1628STA-DC | 45.3 |
| 34 | CL216-0324-4 | 1634STA-DC | 50.3 |
| 45 | CL216-0325-7 | 1645STA-DC | 59.3 |
| 60 | CL216-0326-0 | 1660STA-DC | 72.3 |

SHOULDER-TOUCH LOCK TYPE

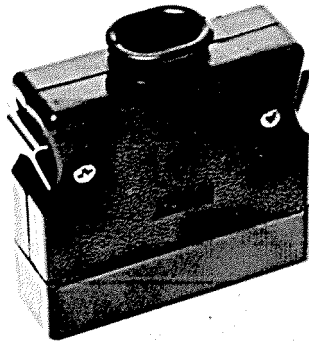
General

The shoulder-touch lock type plug cases are highly reliable, lightweight, sturdy, and operable. 8, 12, and 16-contact models are available. Hirose high-density packaging plug cases, including the top-touch lock type, are available in 8 to 60-contact models.

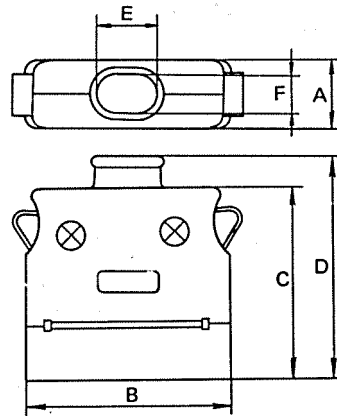
Material and Finish

| Description | Material | Finish |
|-------------|---------------------|---|
| Plug case | Polypropylene resin | Black |
| Stopper | Steel | Treated with chromate over zinc plating |

Plug Shell



CL216-0418-6
1616-CBA



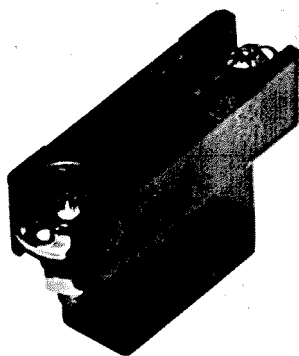
Unit: mm

| No. of pin | HRS No. | Part No. | A | B | C | D | E | F |
|------------|------------------|--------------|----|----|----|----|------------|-----|
| 8 | *CL216-0416-0 | 1608-CBA | 14 | 35 | 40 | 45 | 7.5 ϕ | |
| 12 | *CL216-0417-3-01 | 1612-CBA(01) | 14 | 40 | 41 | 46 | 9 | 7.5 |
| 16 | *CL216-0418-6 | 1616-CBA | 14 | 45 | 42 | 47 | 11.5 | 7.5 |

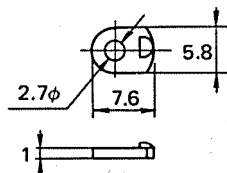
*: Standard

Note: Order connector units separately. The cases can be used for both male and female connector units. The cases marked with an asterisk are of standard specifications.

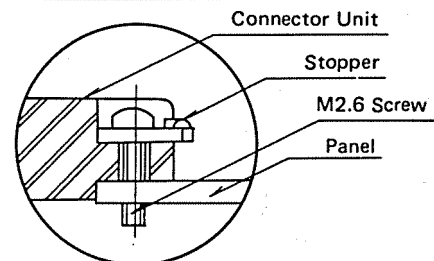
Stopper



CL216-0302-1
1600-STB



How to Mount



| HRS No. | Part No. | Remark |
|---------------|----------|---------------------|
| *CL216-0302-1 | 1600-STB | Common for any size |

*: Standard

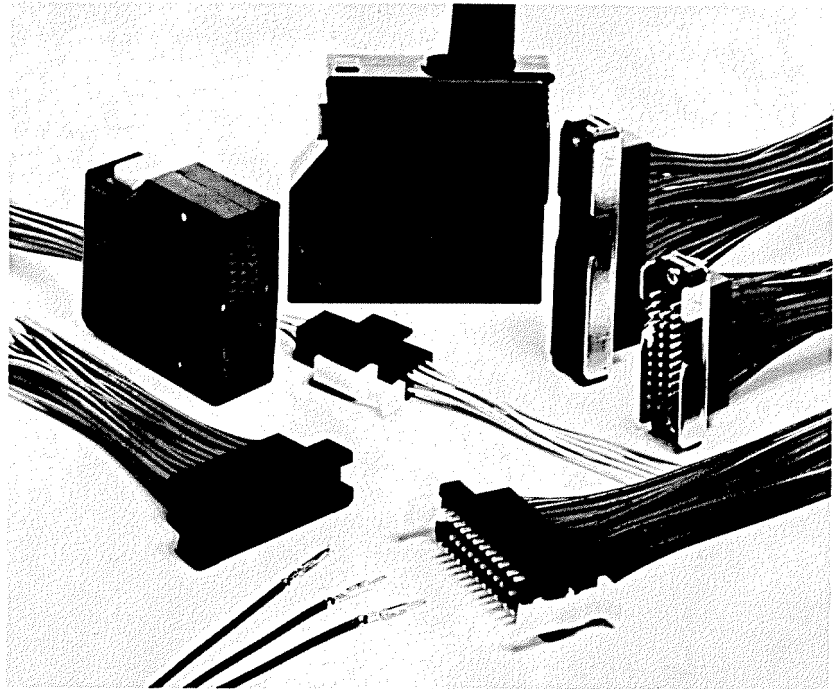
Note: Order connector units separately. The cases marked with an asterisk are of standard specifications.

Note: Mounted on a connector unit
(Each package contains two stoppers)

1600 SUMICON CRIMP TYPE CONNECTORS

General

The SUMICON 1600 series are high-performance compact crimp type connectors developed for labor saving in connection work. 8, 12, 16, 20, 24, 34, 45 and 60-contact models are available. All models are compatible with our previous top-lock type plug cases. For using the connectors separately, easy-to-mount plastic locks are available to expand their functions.



Electrical and Environmental Characteristics

Material and Finish

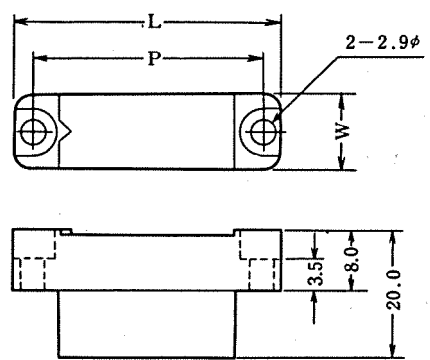
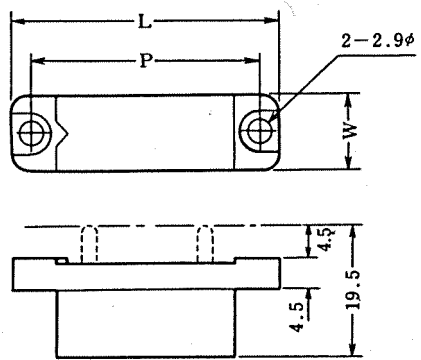
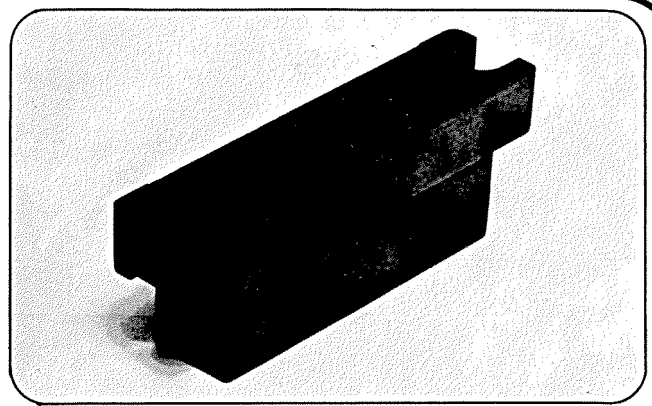
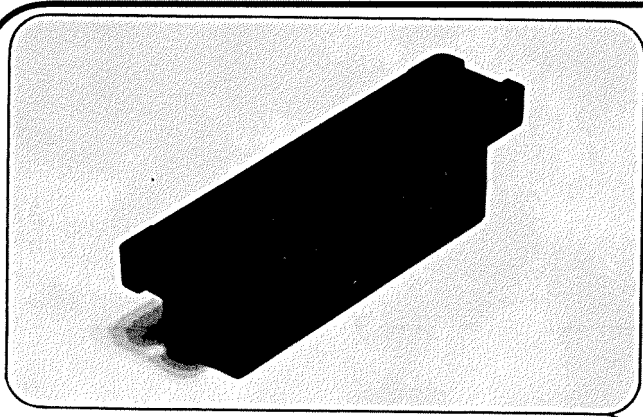
| Item | Standard | | | |
|---|--|----------|----------|----------|
| Contact Resistance | 7mΩ or less at DC 1A (contact only) | | | |
| Insulation Resistance | 5,000MΩ or more at DC 500V | | | |
| Withstand Voltage | AC 1,000V for 1minute | | | |
| Rating Current | 3A | | | |
| Applicable Cable | AWG# 24-28 (Coating O.D. 1.6 φ -0.9 φ) | | | |
| Crimping strength (Unit: kg or more) | Cable | AWG # 24 | AWG # 26 | AWG # 28 |
| | Crimping force | 3.6 | 2.4 | 1.6 |

| Part | Material | Finish |
|-----------------|--|------------------------------|
| Insulator | Glass-containing polycarbonate resin UL94V-0 | Blue |
| Male Terminal | Brass | Gold-plated Silver-plated |
| Female Terminal | Phosphor bronze | Gold-plated Silver-plated |

Features

- (1) Since this is a press-fit type connector, anyone can perform wiring securely with high reliability.
- (2) For contact, a two-point contact system is employed for outstanding reliability. It also offers superior mechanical strength.
- (3) The Sumicon 1600 Series Press-Fit Type Connectors are interchangeable with the conventional solder, DIP and lapping type connectors. They are applicable, therefore, to a wider range of applications.
- (4) To use the connector unit separately, jointly employing an easily installable plastic lock will prevent vibrations and/or cable dead weight from unplugging the connector. The plastic lock, moreover, can be used with either center-suspension or panel-mount system.
- (5) All wiring spliced with the connector is hidden completely inside the housing, allowing for perfect insulation.

Housing



Unit: mm

Unit: mm

| HRS No. | No. of Pin | Part No. | L | P | W |
|----------------|------------|----------|----|----|----|
| * CL216-0335-0 | 8 | PC-1608 | 25 | 19 | 10 |
| * CL216-0336-3 | 12 | PC-1612 | 30 | 24 | 10 |
| * CL216-0337-6 | 16 | PC-1616 | 35 | 29 | 10 |
| * CL216-0338-9 | 20 | PC-1620 | 33 | 27 | 13 |
| * CL216-0339-1 | 24 | PC-1624 | 37 | 31 | 13 |
| * CL216-0340-0 | 28 | PC-1628 | 40 | 34 | 13 |
| * CL216-0341-3 | 34 | PC-1634 | 45 | 39 | 13 |
| * CL216-0342-6 | 45 | PC-1645 | 54 | 48 | 13 |
| * CL216-0343-9 | 60 | PC-1660 | 67 | 61 | 13 |

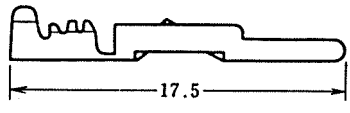
| HRS No. | No. of Pin | Part No. | L | P | W |
|----------------|------------|----------|----|----|----|
| * CL216-0344-1 | 8 | SC-1608 | 25 | 19 | 10 |
| * CL216-0345-4 | 12 | SC-1612 | 30 | 24 | 10 |
| * CL216-0346-7 | 16 | SC-1616 | 35 | 29 | 10 |
| * CL216-0347-0 | 20 | SC-1620 | 33 | 27 | 13 |
| * CL216-0348-2 | 24 | SC-1624 | 37 | 31 | 13 |
| * CL216-0349-5 | 28 | SC-1628 | 40 | 34 | 13 |
| * CL216-0350-4 | 34 | SC-1634 | 45 | 39 | 13 |
| * CL216-0351-7 | 45 | SC-1645 | 54 | 48 | 13 |
| * CL216-0352-0 | 60 | SC-1660 | 67 | 61 | 13 |

*: Standard

*: Standard

Contact

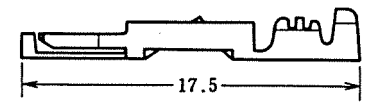
Pin Connector



| Type | HRS No. | Part No. | Plating |
|-------|---------------|-------------|---------|
| Loose | *CL216-0331-0 | PC-1600-111 | Gold |
| | *CL216-0332-2 | PC-1600-112 | Silver |
| Chain | CL216-0363-6 | PC-1600-211 | Gold |
| | *CL216-0364-9 | PC-1600-212 | Silver |

*: Standard

Socket Connector



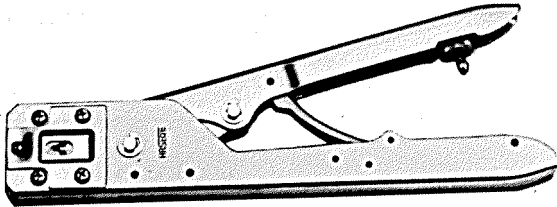
| Type | HRS No. | Part No. | Plating |
|-------|---------------|-------------|---------|
| Loose | *CL216-0333-5 | SC-1600-111 | Gold |
| | *CL216-0334-8 | SC-1600-112 | Silver |
| Chain | *CL216-0365-1 | SC-1600-211 | Gold |
| | *CL216-0366-4 | SC-1600-212 | Silver |

*: Standard

Note: Loose-piece terminals are available in packs. Each pack contains 100 terminals. Strip terminals are available in reels. Each reel contains 10,000 terminals.

Tools

| Type | HRS No. | Part No. |
|----------------------|--------------|-------------|
| Manual crimping tool | CL250-0003-1 | TC-1600-111 |
| Contact extractor | CL250-0004-4 | TC-1600-21 |



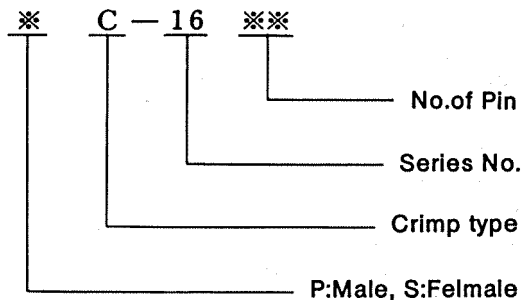
Hand Crimp Tool TC-1600-1111



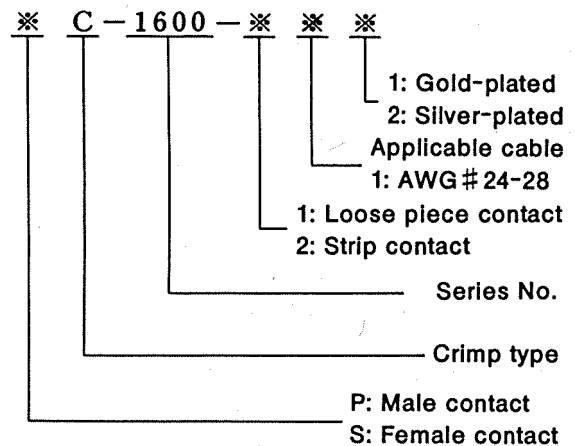
Contact Extractor TC-1600-21

Ordering Information

● Housing



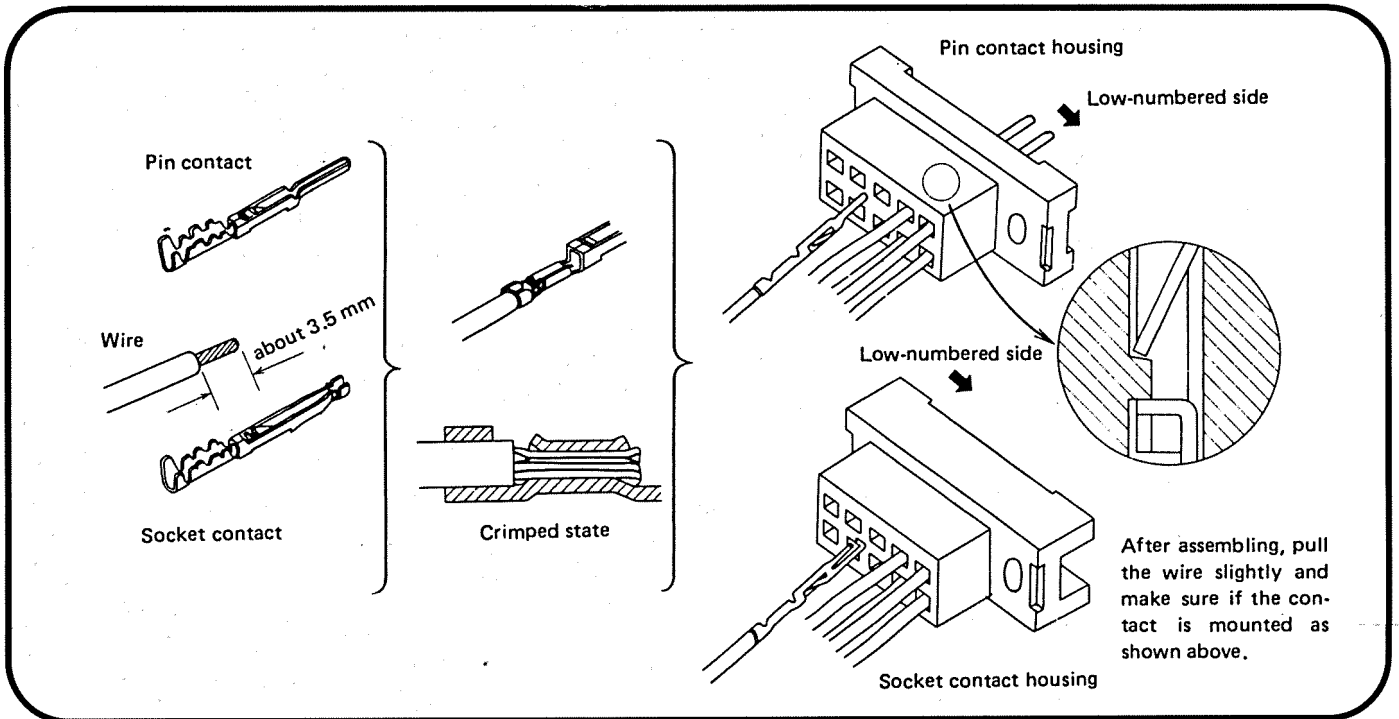
● Contact



Using the Connectors

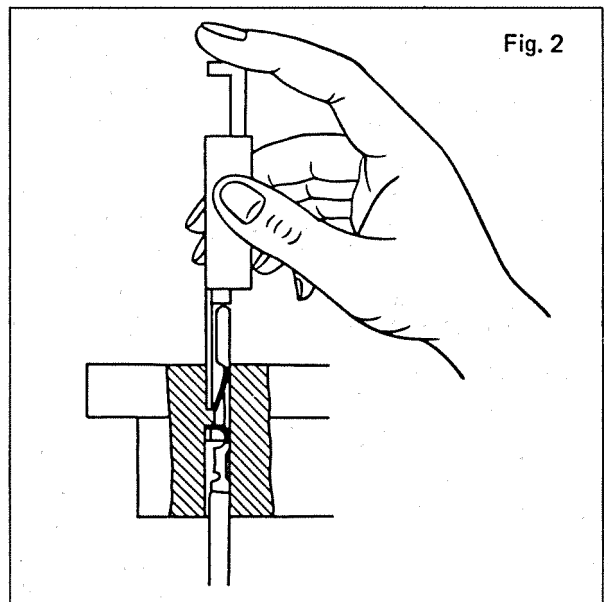
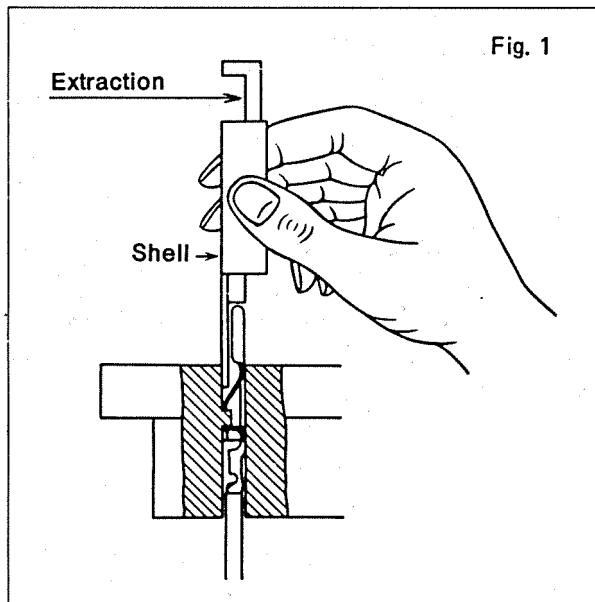
- (1) Take care when removing the connectors to pull out by the housing and not tug on the wires.
- (2) The male terminals of the connectors will be bent if the connectors are twisted when being removed. Take care to pull the characters out straight.
- (3) The plastic locks are sufficiently strong to ensure that the connector engagement will not be loosened by vibration or the weight of the wires. Their strength is not sufficient for other loads. When strength for some other load is required, use the top-touch lock type plug case (common for both solder and wrapping types).
- (4) Both gold-plated and silver-plated terminals are available. Use the gold-plated type in adverse environments. In other environments, we recommend the economical silver-plated type.
- (5) For crimping, use a manual crimping device for low-volume crimping and maintenance. For high-volume crimping, we recommend the automatic crimping machine shown on page 124.
- (6) For plug-in uses, we recommend Sumicon 1600 series solder or wrapping types for improved functionality.

Assembling Procedure



Procedure for Contact Extraction

In case of extracting a contact from the housing due to insertion error or circuit change, follow the steps as shown below.



1. Hold the Contact Extractor as shown in Fig.1, placing the tip of the Extractor on the tip of a contact, then insert it between the contact and the housing.
2. When the tip of the Extractor comes into contact with a stepped part in the housing, the spring will come off from the stepped part with a snap which can be felt. Then, extract the contact by pulling the wire.

- (Caution: Pushing the tip of the extractor forcibly before the spring has come off from the stepped part may damage the contact).
3. Above Fig.1 and Fig.2 show how to extract a contact from socket housing. The same procedure can be employed to extract a contact from pin housing.

Hints on Use of Connectors with Respect to Polarity (to prevent mis-insertion of connectors)

Polarization of SUMICON 1600 series can be achieved by contact arrangement. The crimp type contacts are designed to float a little, so that the use of a Polarizing

Key is recommended in order to ensure positive polarization.

In Case of 8,12 and 16 pin

1. When crimp types are used in both the male and female, do not fill all cavities with contacts. Use Polarizing Key at minimum 2 cavities of Socket housing as shown below and do not fill pin contacts at the corresponding cavities of male housing.
2. When male crimp type is used in combination with solder or wire wrap female type, the connector coupling shall be done carefully not to couple in reverse position. Coupling shall be made by matching of triangle marks on connector inserts.

In Case of Multi Pin Type more than 20 pin

1. SUMICON 1600 series are naturally polarized in all cavities filled with contacts. When all cavities are not filled, Polarizing Keys shall be inserted in vacant cavities to the minimum for preventing reverse coupling. But when Top Touch Lock Plug Shell is used, Polarizing Keys are not necessary
2. When male crimp type is used with some vacant cavities in combination with solder or wire wrap female type, Top Touch Lock Plug Shell is recommended.

Auto Crimping Machine

CM-103

Compact sized and heavy duty semi-automatic standard machine with improved the operability, such as set up adjustment or applicator mounting for beginners. Reliable crimp operation and Roller Clutch mechanism for higher precision and reliability with lower noise.

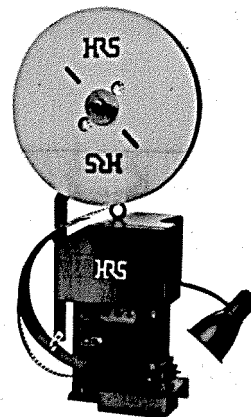
CM-104

In spite of the small size, Wire Stripper mechanism is installed additionally.

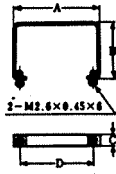
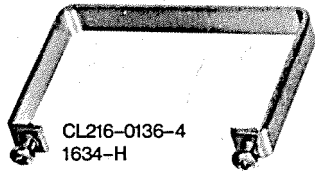
Built in the side of the machine as a unit, the wire stripper mechanism is easy to handle and especially effective when crimping multi-conductor cables.

Main Spec.

| Item | CM-103 | CM-104 |
|--------------|--------------------|--------------------|
| Power Source | AC 100V | AC 100V |
| Weight | 98.5kg | 100kg |
| Capacity | 2000~4000 pin/hour | 1300~3000 pin/hour |

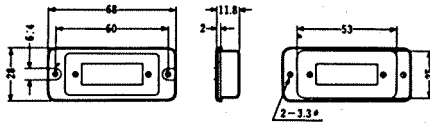


Handle



| Unit: mm | | | | | | |
|------------|--------------|----------|----|----|---|----|
| No. of Pin | HRS No. | Part No. | A | B | C | D |
| 16 | CL216-0135-1 | 1616-H | 36 | 25 | 6 | 29 |
| 34 | CL216-0136-4 | 1634-H | 46 | 30 | 6 | 39 |
| 60 | CL216-0137-7 | 1660-H | 68 | 30 | 8 | 61 |

Deep Bracket

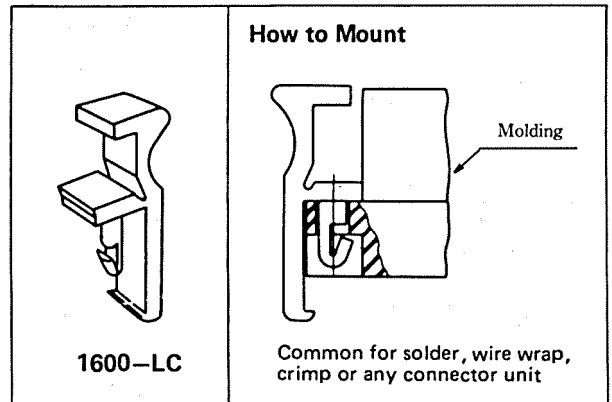


| Unit: mm | | |
|------------|--------------|----------|
| No. of Pin | HRS No. | Part No. |
| 34 | CL216-0138-0 | 1634-DB |

Crimp or any Connector Unit

| HRS No. | Part No. |
|----------------|----------|
| * CL216-0354-5 | 1600-LC |

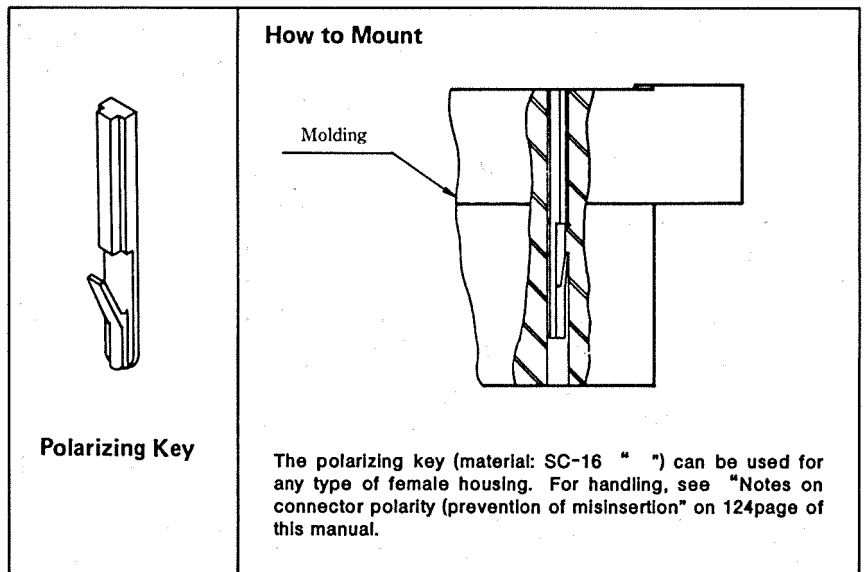
*: Standard



Polarizing Key

| HRS No. | Part No. |
|----------------|----------------|
| * CL216-0487-9 | Polarizing Key |

*: Standard



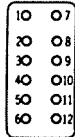
Terminal Arrangement and Numbers

The figure shows a male connector as viewed from the termination side

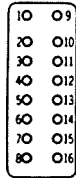
8 pin



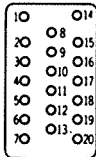
12 pin



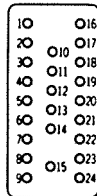
16 pin



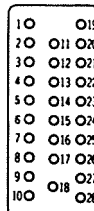
20 pin



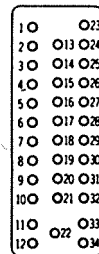
24 pin



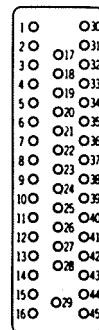
28 pin



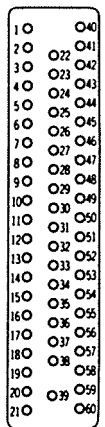
34 pin



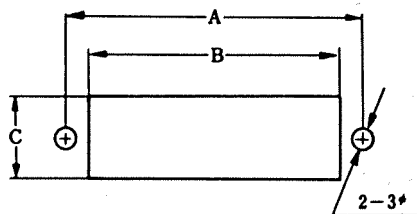
45 pin



60 pin



Connector Mounting Hole Dimensions



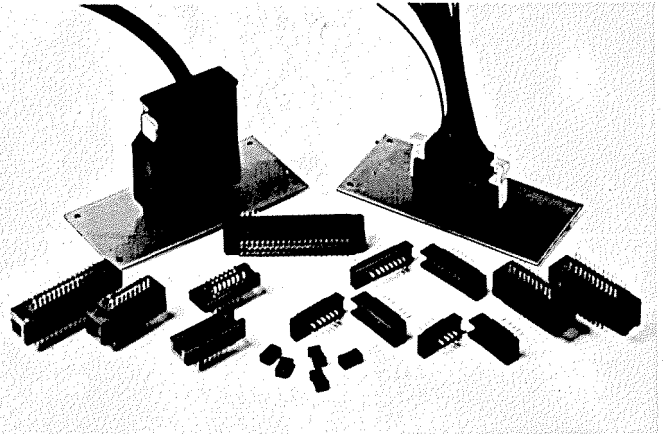
Unit: mm

| No. of Pin | A | B | C | screw |
|------------|----|------|------|-------|
| 8 | 19 | 13.5 | 8.5 | M2.6 |
| 12 | 24 | 18.5 | 8.5 | |
| 16 | 29 | 23.5 | 8.5 | |
| 20 | 27 | 21.5 | 11.5 | |
| 24 | 31 | 25.5 | 11.5 | |
| 28 | 34 | 28.5 | 11.5 | |
| 34 | 39 | 33.5 | 11.5 | |
| 45 | 48 | 42.5 | 11.5 | |
| 60 | 61 | 55.5 | 11.5 | |

SUMICON 1600 SERIES DIP SOLDERING CONNECTORS

General

The SUMICON 1600 series are original Hirose rectangular dip soldering connectors. 8, 12, 16, 20, 24, 34, 45 and 60-contact models are available. All models are compatible with the previous 1600 series in mounting and accessories.



Features

1. Allows straight dip soldering onto a PCB, and is effective in PCB-to-PCB and PCB-to-cable connection.
2. Suitable for use in interfaces, being compact and lightweight and meeting high-density packaging requirements.
3. Further cuts interconnection costs when simple locks are used.
4. A wide variety of combinations of connection methods available, e.g., dip soldering, wrapping, and crimping, to meet your requirements.

Main Applications

Computers, peripherals and terminals, data communications equipment, measuring instruments,

signal equipment, mobile radio equipment, copier, and FAX machine.

Electrical and Environmental

| Performance | |
|-----------------------|------------------------------|
| Contact Resistance | 7mΩ or less at DC 1A |
| Insulation Resistance | 1,000MΩ or higher at DC 500V |
| Withstand Voltage | AC 1,000V for 1 minute |
| Current capacity | 3A |

| Material and Finish | | |
|---------------------|------------------------------------|-----------------------|
| Insulator | Glass-Filled diallylphtalate resin | |
| Male Terminal | Brass | Type A: Silver-plated |
| Female Terminal | Phosphor bronze | Type B: Gold-plated |

Ordering Information

P
D
—
16
34
□
A
—
SP
□

(1)
(2)
(3)
(4)
(5)
(6)
(7)
(8)

(1) Shape of terminal opening

P: Male terminal
S: Female terminal

(2) Terminal connection method

D: Dip soldering

(3) Series No.

16: 1600 series

(4) Number of contacts

(5) Serial sign for connector units

Provided with sequence of upper-case alphabetic characters.

Sequence: No sign, B,C,D,E...

(6) Plating

A: Silver plated
B: Gold plated

(7) Signs for accessories

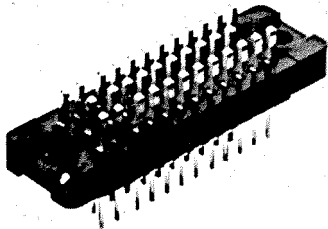
SP: Spacer for dip soldering

(8) Serial signs for accessories

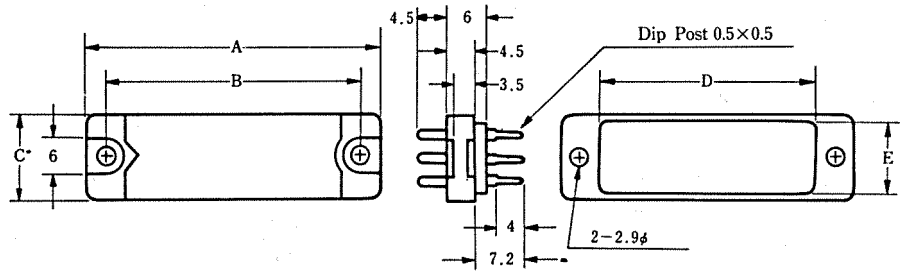
Each accessory is provided with a sequence A of upper-case alphabetic characters. Sequence: No sign, A,B,...

Dip Soldering Type Connector

Male Connector



CL216-0394-0
PD-1634BA

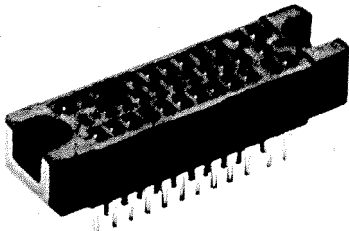


Unit: mm

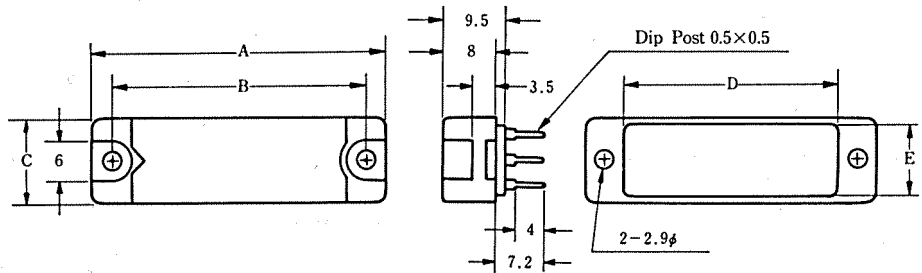
| No. of Pin | Type A | | Type G | | A | B | C | D | E |
|------------|------------------|---------------|-----------------|---------------|----|----|----|----|----|
| | HRS No. | Part No. | HRS No. | Part No. | | | | | |
| 8 | *CL216-0388-7-09 | PD-1608BA(09) | CL216-0406-7-09 | PD-1608BG(09) | 25 | 19 | 10 | 13 | 8 |
| 12 | *CL216-0389-0-09 | PD-1612BA(09) | CL216-0407-0-09 | PD-1612BG(09) | 30 | 24 | 10 | 18 | 8 |
| 16 | *CL216-0390-9-09 | PD-1616BA(09) | CL216-0408-2-09 | PD-1616BG(09) | 35 | 29 | 10 | 23 | 8 |
| 20 | *CL216-0391-1-09 | PD-1620BA(09) | CL216-0409-5-09 | PD-1620BG(09) | 33 | 27 | 13 | 21 | 11 |
| 24 | *CL216-0392-4-09 | PD-1624BA(09) | CL216-0410-4-09 | PD-1624BG(09) | 37 | 31 | 13 | 25 | 11 |
| 28 | *CL216-0393-7-09 | PD-1628BA(09) | CL216-0411-7-09 | PD-1628BG(09) | 40 | 34 | 13 | 28 | 11 |
| 34 | *CL216-0394-0-09 | PD-1634BA(09) | CL216-0412-0-09 | PD-1634BG(09) | 45 | 39 | 13 | 33 | 11 |
| 45 | *CL216-0395-2-09 | PD-1645BA(09) | CL216-0413-2-09 | PD-1645BG(09) | 54 | 48 | 13 | 42 | 11 |
| 60 | *CL216-0396-5-09 | PD-1660BA(09) | CL216-0414-5-09 | PD-1660BG(09) | 67 | 61 | 13 | 55 | 11 |

*: Standard

Female Connector



CL216-0385-9
SD-1634A



Unit: mm

| No. of Pin | Type A | | Type G | | A | B | C | D | E |
|------------|------------------|--------------|-----------------|---------------|----|----|----|----|----|
| | HRS No. | Part No. | HRS No. | Part No. | | | | | |
| 8 | *CL216-0379-6-09 | SD-1608A(09) | CL216-0397-8-09 | SD-1608G(09) | 25 | 19 | 10 | 13 | 8 |
| 12 | *CL216-0380-5-09 | SD-1612A(09) | CL216-0398-0-09 | SD-1612G(09) | 30 | 24 | 10 | 18 | 8 |
| 16 | *CL216-0381-8-09 | SD-1616A(09) | CL216-0399-3-09 | SD-1616G(09) | 35 | 29 | 10 | 23 | 8 |
| 20 | *CL216-0382-0-09 | SD-1620A(09) | CL216-0400-0-09 | SD-1620G(09) | 33 | 27 | 13 | 21 | 11 |
| 24 | *CL216-0383-3-09 | SD-1624A(09) | CL216-0401-3-09 | SD-1624G(09) | 37 | 31 | 13 | 25 | 11 |
| 28 | *CL216-0384-6-09 | SD-1628A(09) | CL216-0402-6-09 | SD-1628G(09) | 40 | 34 | 13 | 28 | 11 |
| 34 | *CL216-0385-9-09 | SD-1634A(09) | CL216-0403-9-09 | SD-1634G(09) | 45 | 39 | 13 | 33 | 11 |
| 45 | *CL216-0386-1-09 | SD-1645A(09) | CL216-0404-1-09 | SD-1645BG(09) | 54 | 48 | 13 | 42 | 11 |
| 60 | *CL216-0387-4-09 | SD-1660A(09) | CL216-0405-4-09 | SD-1660BG(09) | 67 | 61 | 13 | 55 | 11 |

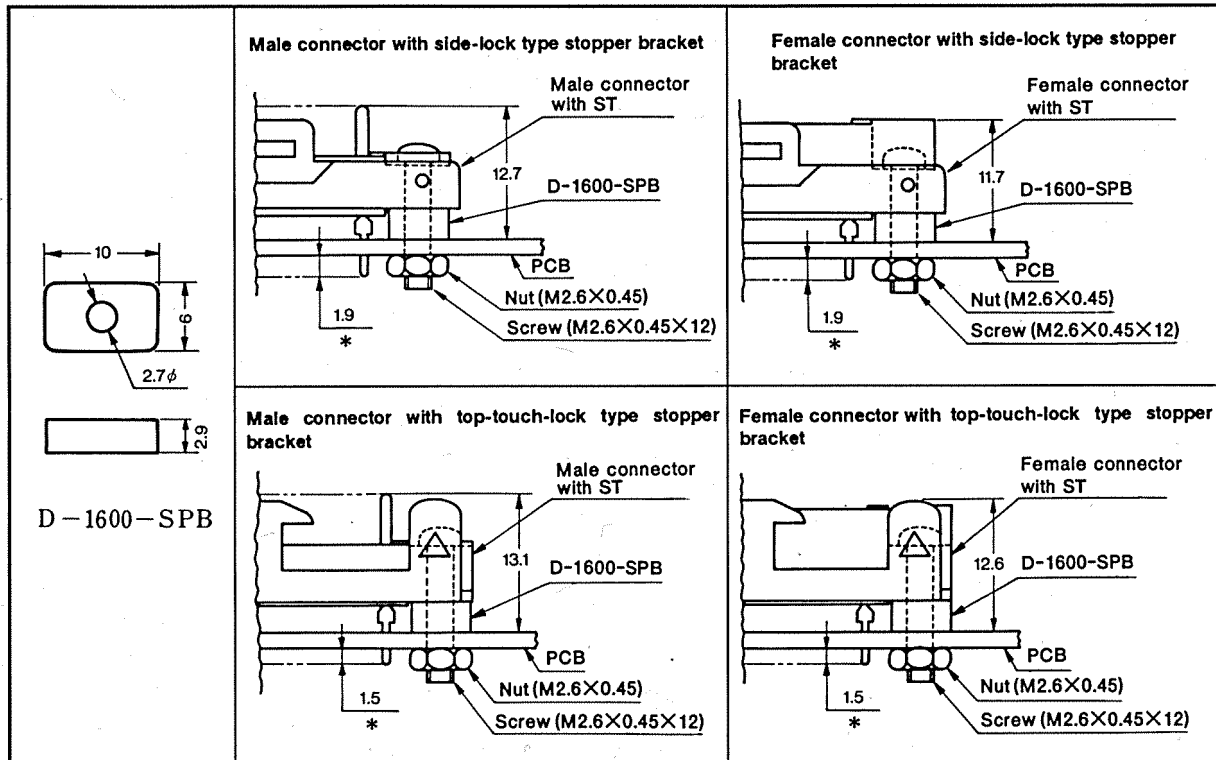
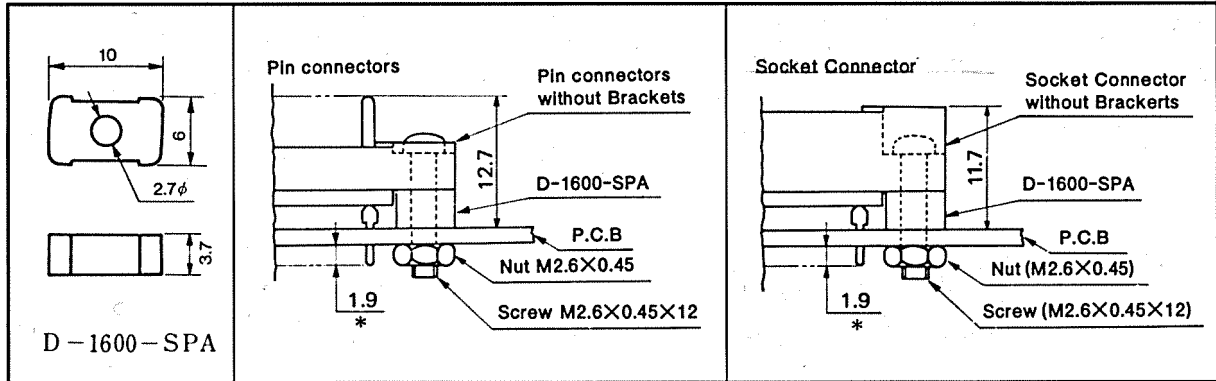
*: Standard

Dip Spacer

| HRS No. | Part No. | Application |
|---------------|------------|--|
| *CL216-0419-9 | D-1600-SPA | Connector unit packing (applicable for models with any number of contacts) |
| *CL216-0420-8 | D-1600-SPB | For packing with Connector unit stopper (applicable for models with any number of contacts) |

* Standard

Mounting screws must be supplied by the customer



Note 1: The connector unit packaging spacer (SPA) cannot be used for packing with the connector unit stopper bracket.
The packaging spacer with connector unit stopper bracket (SPB) cannot be used for packaging the connector unit.

Note 2: Provide two spacers (SPA and SPB) for each connector unit.

* The dimensions marked with an asterisk (*) are for PCBs of 1.6mm in thickness.

How to use connectors

- (1) When disconnecting, pull it as straight as possible, because the male pins might be damaged if it is twisted.
- (2) Connectors are available with gold to be used in adverse environmental conditions and silver-plated pins be used in ordinary conditions.

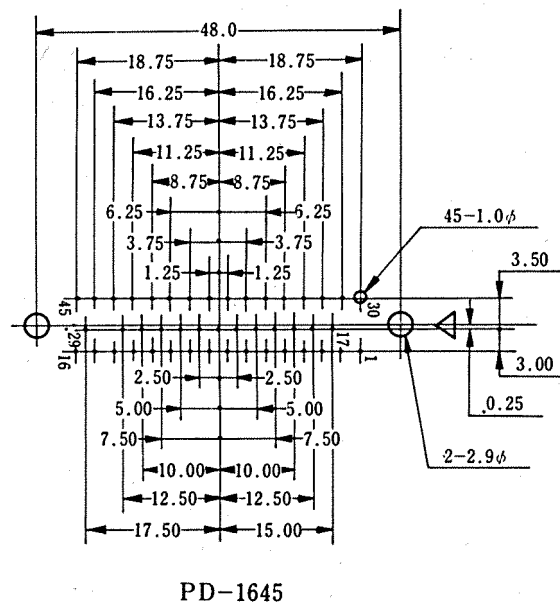
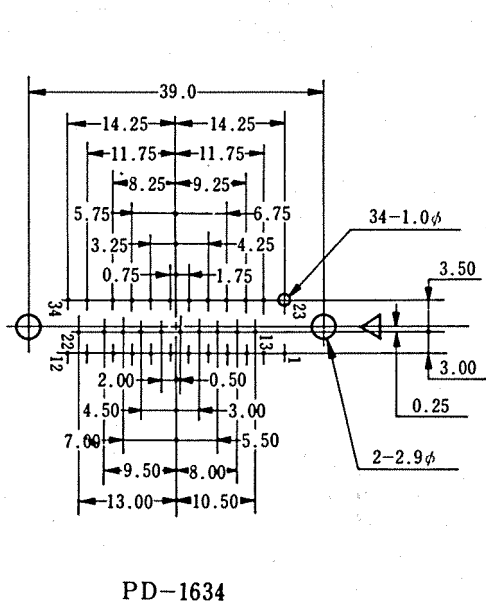
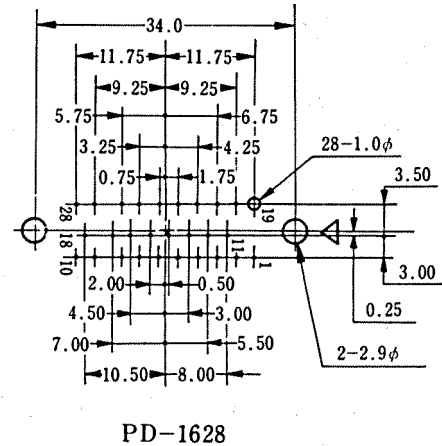
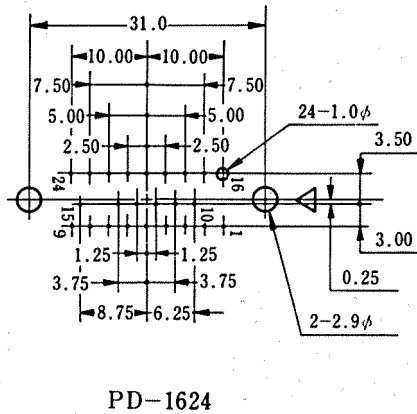
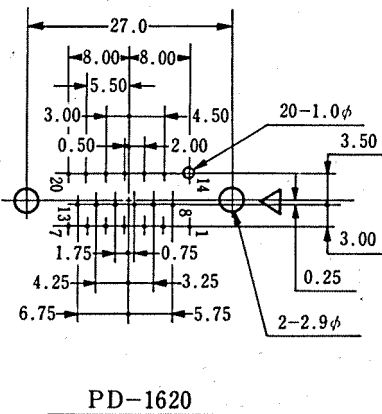
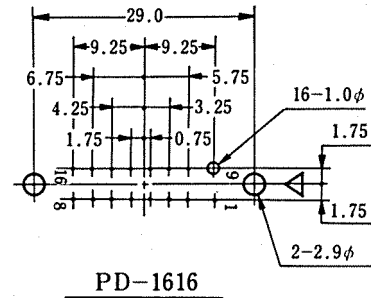
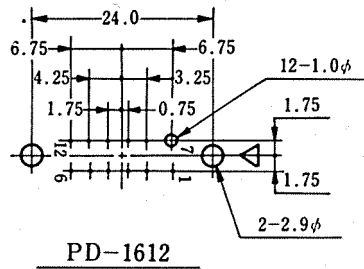
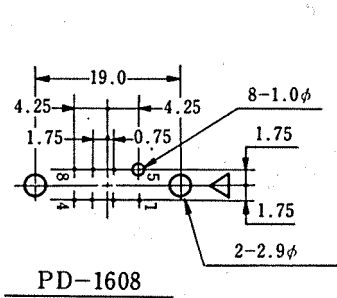
Recommended Dip Soldering Pattern of Connector

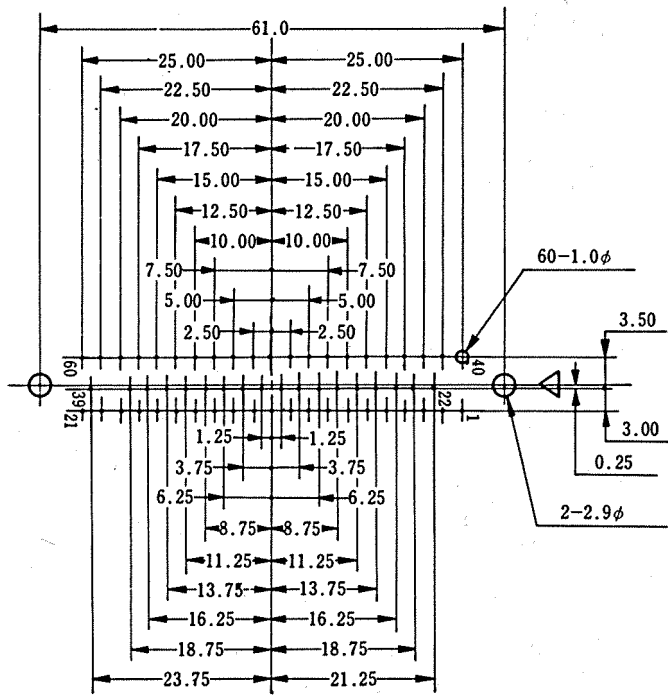
(mm)

When dip soldering the connectors to a PCB, drill holes as shown below. The figures indicate the number of contacts.

Signs \triangle indicate the V-shaped mark (direction of the

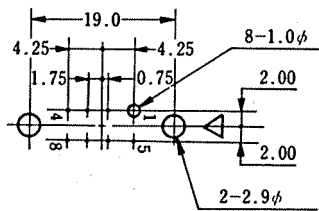
Recommended Dip Soldering Pattern of Pin Connector (View of the connector-mounting surface of substrate)



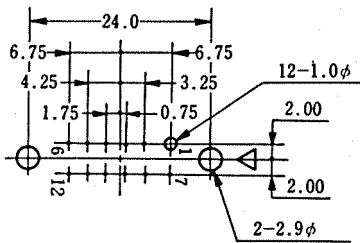


PD-1660

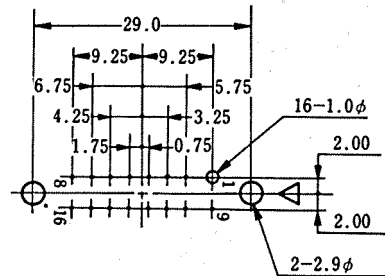
Recommended PC Board Hole Pattern Socket Connector



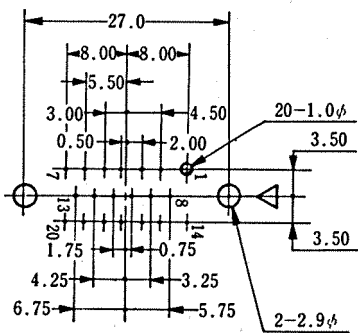
SD-1608



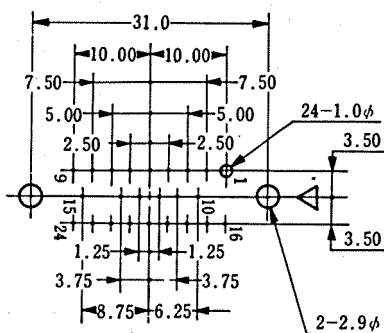
SD-1612



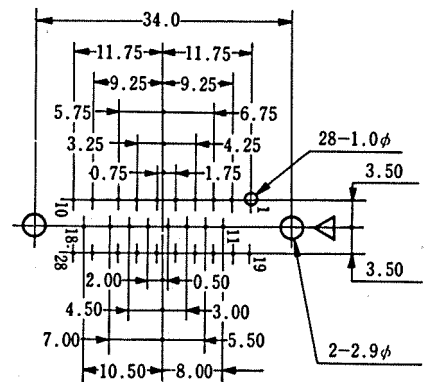
SD-1616



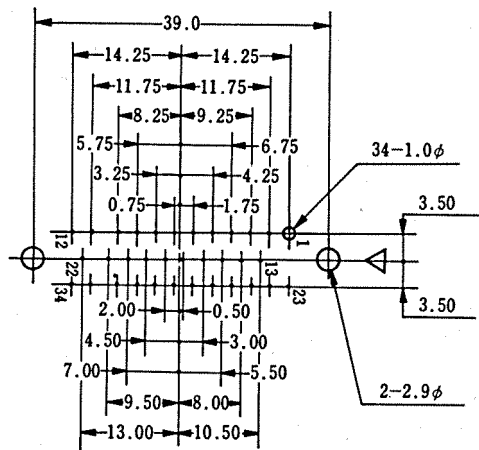
SD-1620



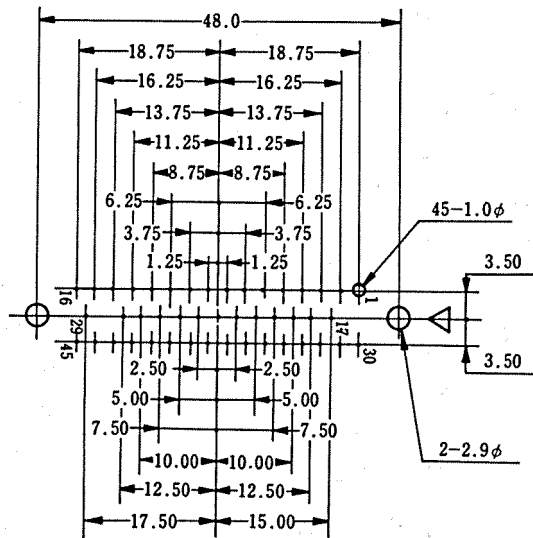
SD-1624



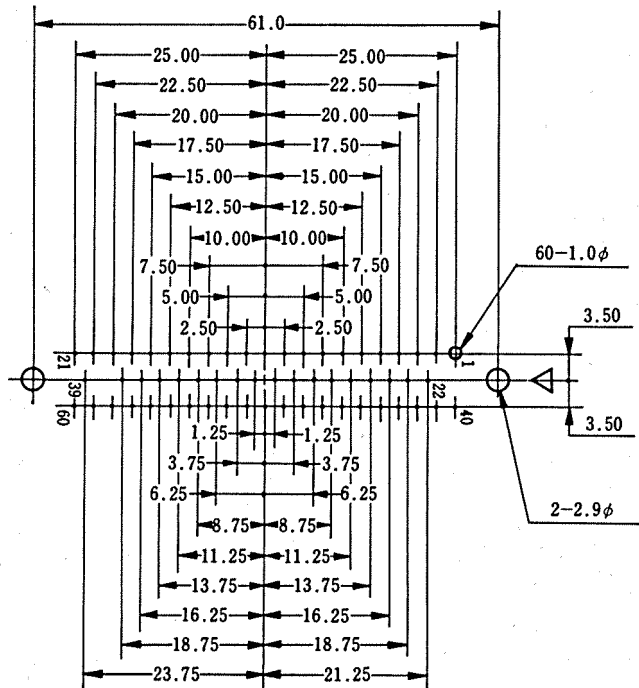
SD-1628



SD-1634



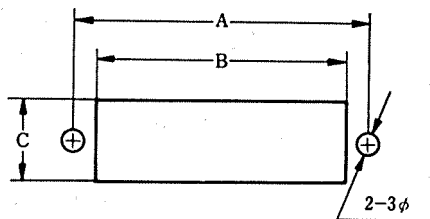
SD-1645



SD-1660

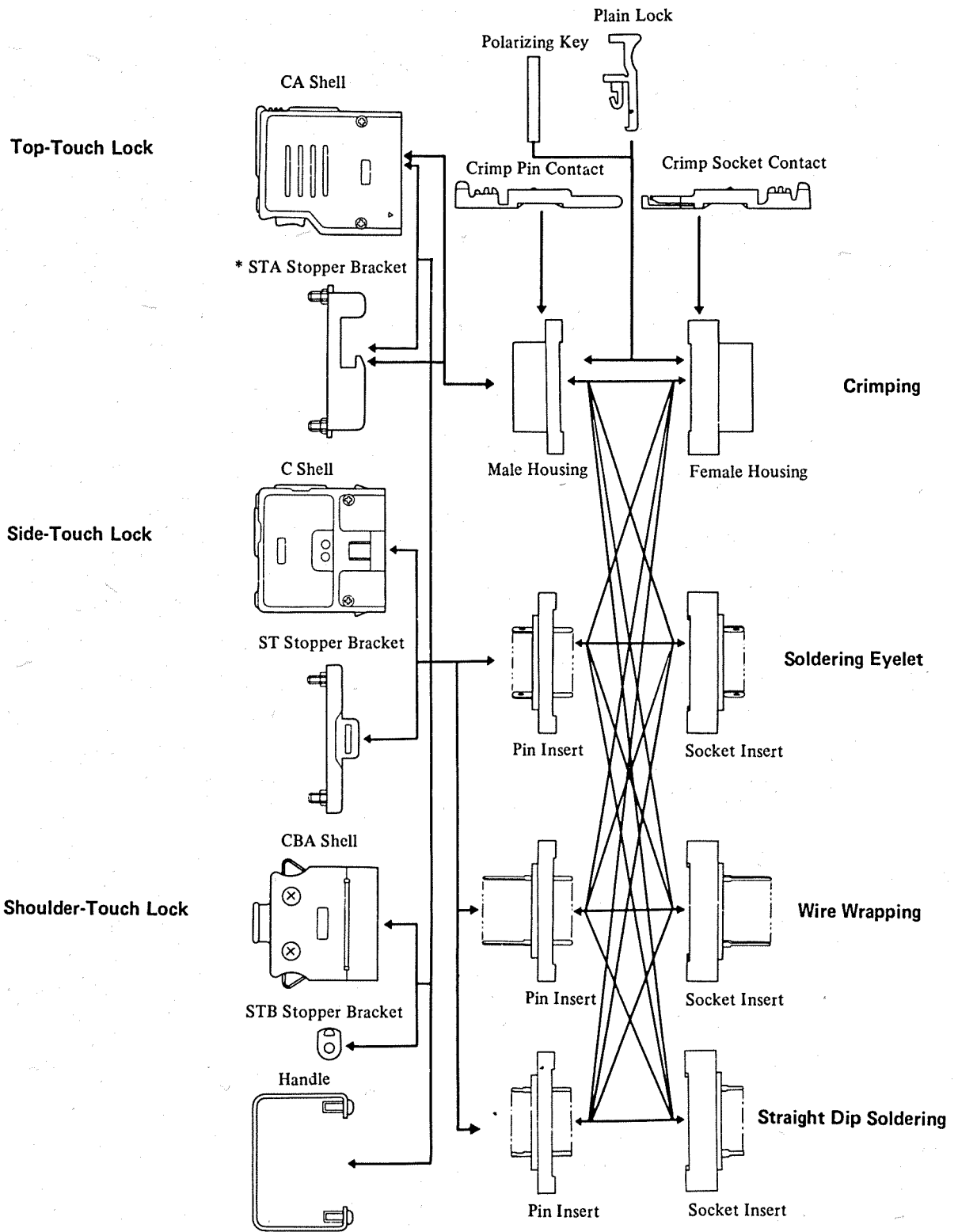
mm

Recommended Mounting Hole



| No. of Pin | A | B | C | Applicable Screw |
|------------|----|------|------|------------------|
| 8 | 19 | 13.5 | 8.5 | M2.6 |
| 12 | 24 | 18.5 | 8.5 | |
| 16 | 29 | 23.5 | 8.5 | |
| 20 | 27 | 21.5 | 11.5 | |
| 24 | 31 | 25.5 | 11.5 | |
| 28 | 34 | 28.5 | 11.5 | |
| 34 | 39 | 33.5 | 11.5 | |
| 45 | 48 | 42.5 | 11.5 | |
| 60 | 61 | 55.5 | 11.5 | |

Function Chart 1



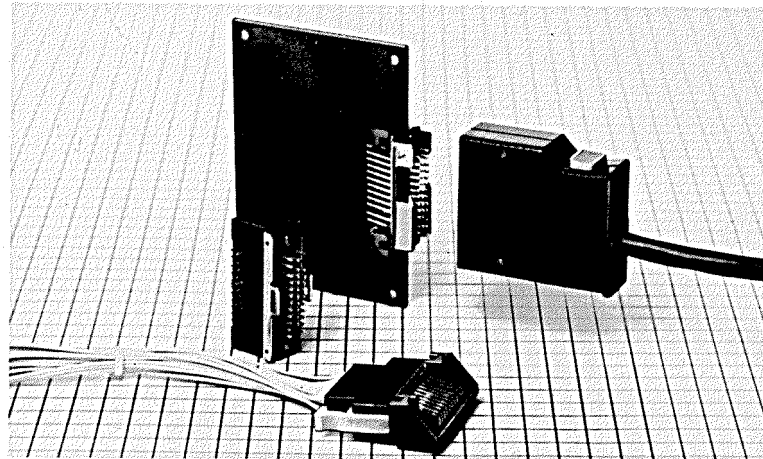
* Dust cap is available for STA Stopper Bracket.

SUMICON 1600 SERIES RIGHT-ANGLE DIP SOLDERING CONNECTORS (MALE)

General

The SUMICON 1600 series are Hirose right-angle dip soldering connectors (male). All models are compatible with the existing soldering

type, wrapping type, crimping type, and straight dip soldering type connectors including their accessories. 20, 28, 34 and 60-contact models are available.



Features

1. Direct dip soldering on a PCB enables convenient parallel connection with cable plugs.
2. Suitable as an interface, being lightweight and capable of high-density packaging.
3. Further cuts interconnection costs by using crimping type plugs with plastic locks for simple cable connection, so no cases are needed.
4. A wide variety of connection methods available, e.g., dip soldering, wrapping, and crimping, to meet your requirements.
5. Available with or without a top-touch lock type bracket and side-lock type bracket, offering you many choices for your applications.
6. Highly solvent-resistant, using insulating materials with high heat resistance and chemical-resistance.

Main Applications

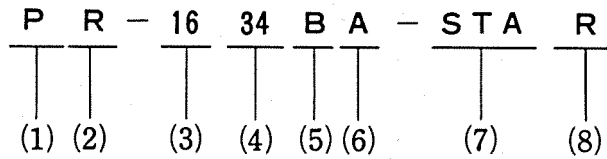
Electronic equipment such as computers, peripherals and terminals, control equipment, and measuring instruments.

Electrical and Environmental

| Electrical Characteristics | |
|----------------------------|-------------------------------------|
| Current Rating | 3A |
| Voltage Rating | AC 300V |
| Contact Resistance | 10m Ω or less at DC 1 A |
| Insulation Resistance | 1000M Ω or higher at DC 500V |
| Withstand Voltage | 1,000 Vr.m.s. for 1 minute |

| Material and Finish | | |
|---------------------|-----------------------------------|--|
| Insulation | Glass-Filled diallyphtalate resin | Blue |
| Contact | Brass | Type A: Silver-plated Type B: Gold-plated |
| Right Angle | Polybutylenephthalate resin | Blue(UL94V-0) |
| Stopper Bracket | Steel | Treated with chromate over zinc plating |

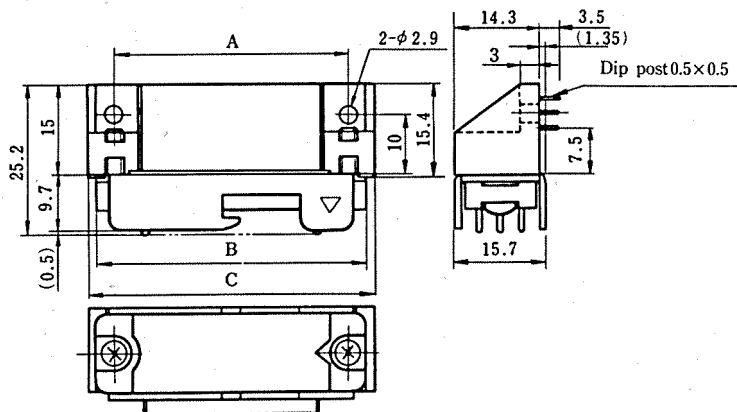
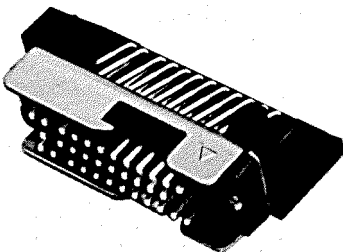
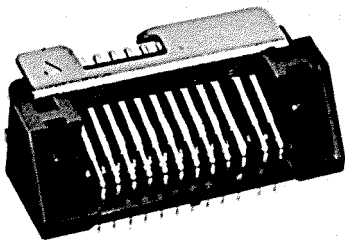
Ordering Information



- | | |
|---|--|
| <p>(1) Shape of terminal opening P: Male terminal</p> <p>(2) Terminal connection method R: Right-angle dip soldering</p> <p>(3) Series No. 16: 1600 series</p> <p>(4) Number of contacts</p> <p>(5) Serial sign for connector units Provided with a sequence of upper-case alphabetic characters.</p> | <p>(6) Plating A: Silver-plated G: Gold-plated</p> <p>(7) Accessories ST: Side-lock type stopper bracket STA: Top-touch type stopper bracket</p> <p>(8) R: Indicates a connector on which the STA bracket is mounted in the reverse direction against the standard. (the standard refers to the direction in which both \triangle marks on the STA bracket and connector unit are in the same direction).</p> |
|---|--|

Right Angle Dip Soldering Pin Connectors With Stopper Bracket for Top-Touch Lock Plug Shell

Unit: mm



| No. of Pin | A Type | | | A | B | C |
|------------|--------------|----------------|--|----|----|----|
| | HRS No. | Part No. | | | | |
| 20 | CL216-0448-7 | *PR-1620BA-STA | | 27 | 33 | 36 |
| 28 | CL216-0450-9 | *PR-1628BA-STA | | 34 | 40 | 43 |
| 34 | CL216-0451-1 | *PR-1634BA-STA | | 39 | 45 | 48 |
| 60 | CL216-0453-7 | *PR-1660BA-STA | | 61 | 67 | 70 |

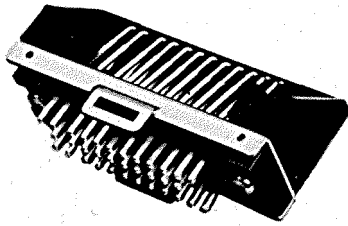
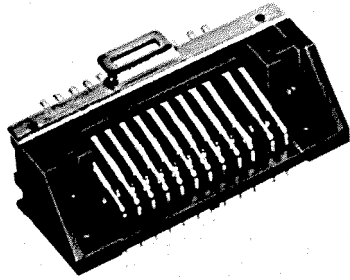
*: Standard

Gold plated type are available options.

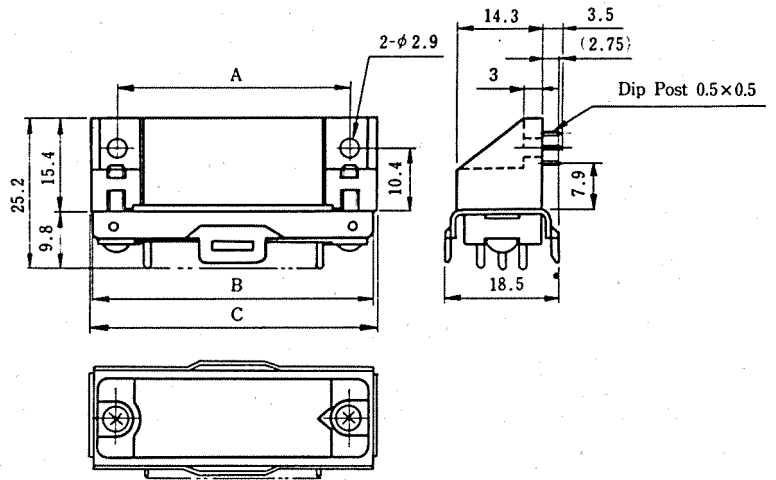
CL216-0451-1
PR-1634BA-STA

With Stopper Bracket for Side-Touch Lock Plug Shell

Unit: mm



CL216-0458-0
PR-1634BA-ST

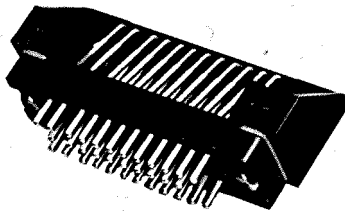
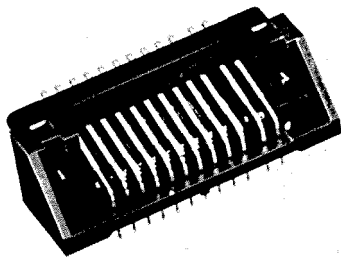


| No. of Pin | Type A | | |
|------------|--------------|---------------|----------|
| | HRS No. | Part No. | |
| 20 | CL216-0455-2 | *PR-1620BA-ST | A B C |
| 28 | CL216-0457-8 | *PR-1628BA-ST | 27 35 36 |
| 34 | CL216-0458-0 | *PR-1634BA-ST | 34 42 43 |
| 60 | CL216-0460-2 | *PR-1660BA-ST | 39 47 48 |
| | | | 61 69 70 |

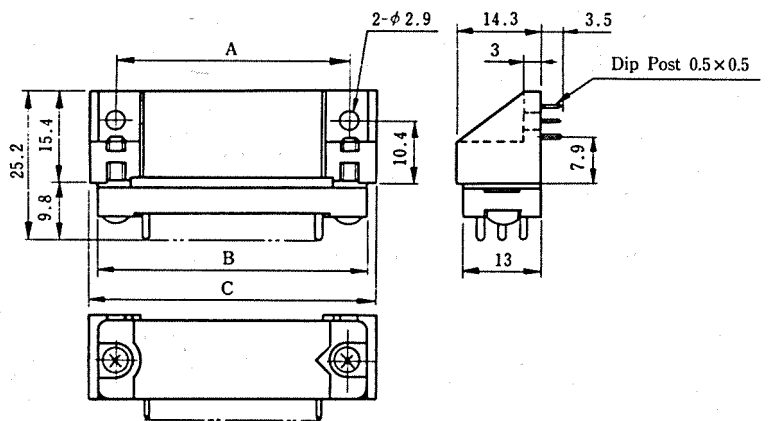
*: Standard Gold plated type are available options

Connector Unit Only Without Bracket

Unit: mm



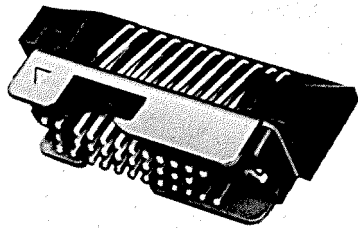
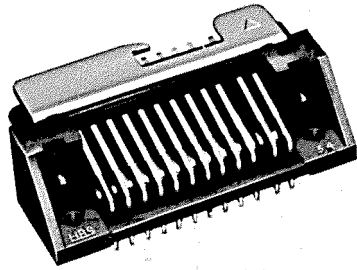
CL216-0464-3
PR-1634BA



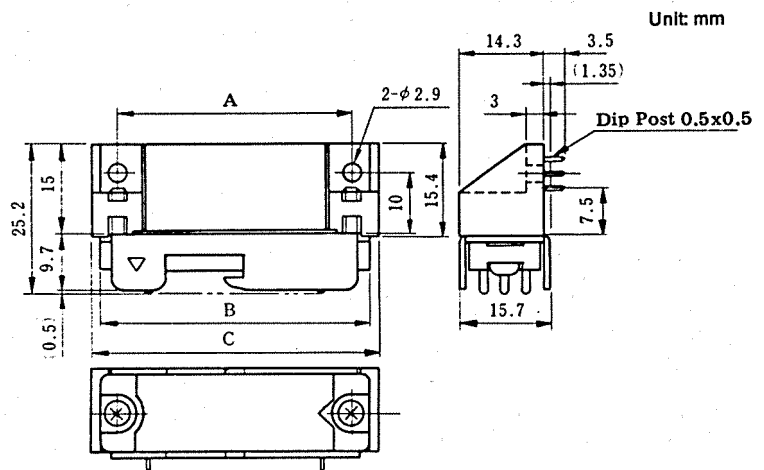
| No. of Pin | Type A | | |
|------------|--------------|------------|----------|
| | HRS No. | Part No. | |
| 20 | CL216-0461-5 | *PR-1620BA | A B C |
| 28 | CL216-0463-0 | *PR-1628BA | 27 33 36 |
| 34 | CL216-0464-3 | *PR-1634BA | 34 40 43 |
| 60 | CL216-0466-9 | *PR-1660BA | 39 45 48 |
| | | | 61 67 70 |

*: Standard Gold plated type are available options

With Stopper Bracket for Top Touch Lock Plug Shell in Reverse Position



CL216-0498-5
PR-1634BA-STAR

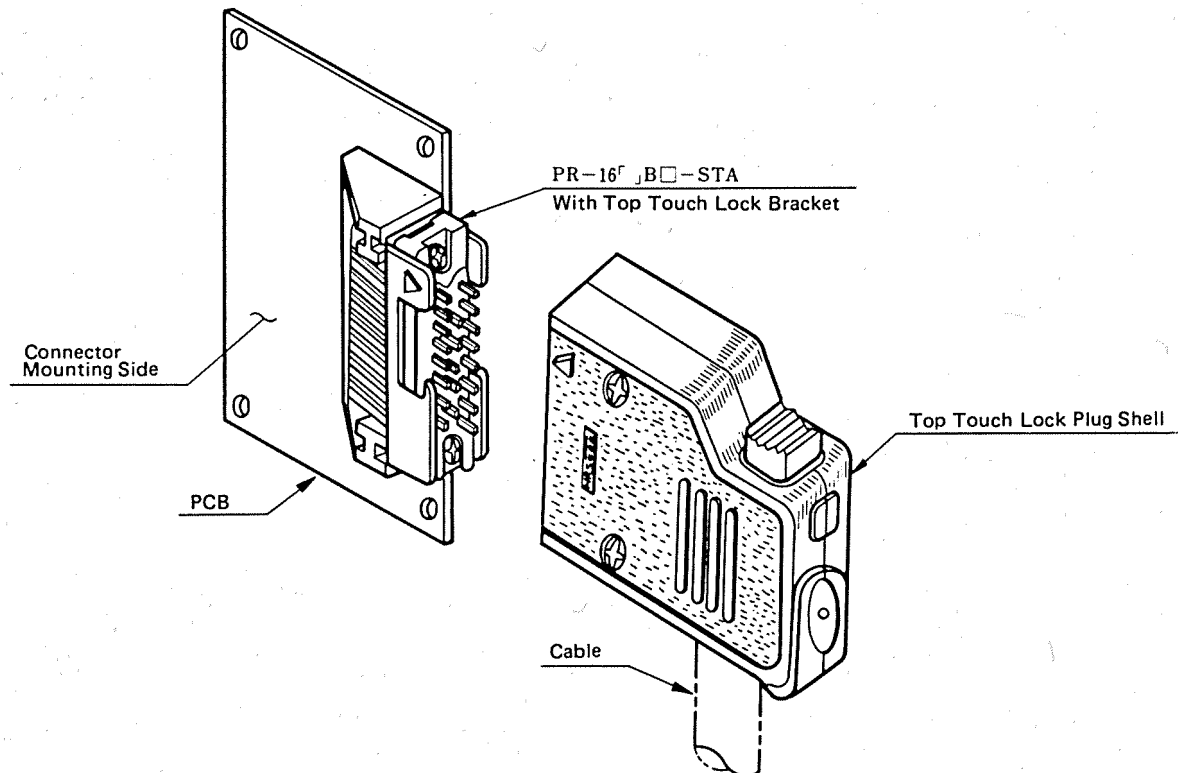


| No. of Pin | Type A | | A | B | C |
|------------|------------------|---------------------|----|----|----|
| | HRS No. | Part No. | | | |
| 20 | *CL216-0495-7-09 | PR-1620BA-STAR (09) | 27 | 33 | 36 |
| 28 | *CL216-0497-2-09 | PR-1628BA-STAR (09) | 34 | 40 | 43 |
| 34 | *CL216-0498-5-09 | PR-1634BA-STAR (09) | 39 | 45 | 48 |
| 60 | *CL216-0500-5-09 | PR-1660BA-STAR (09) | 61 | 67 | 70 |

*: Standard Gold plated types are available options.

Note: When this type is used the mounting direction of socket insert in plug shell shall be in reverse position against the triangle mark on plug shell.

How to Use (Example)



How to Use Right Angle Dip Soldering Connectors

1. The standard use of this type is to mount it on the left side of a vertical PC board. (Fig. 1)

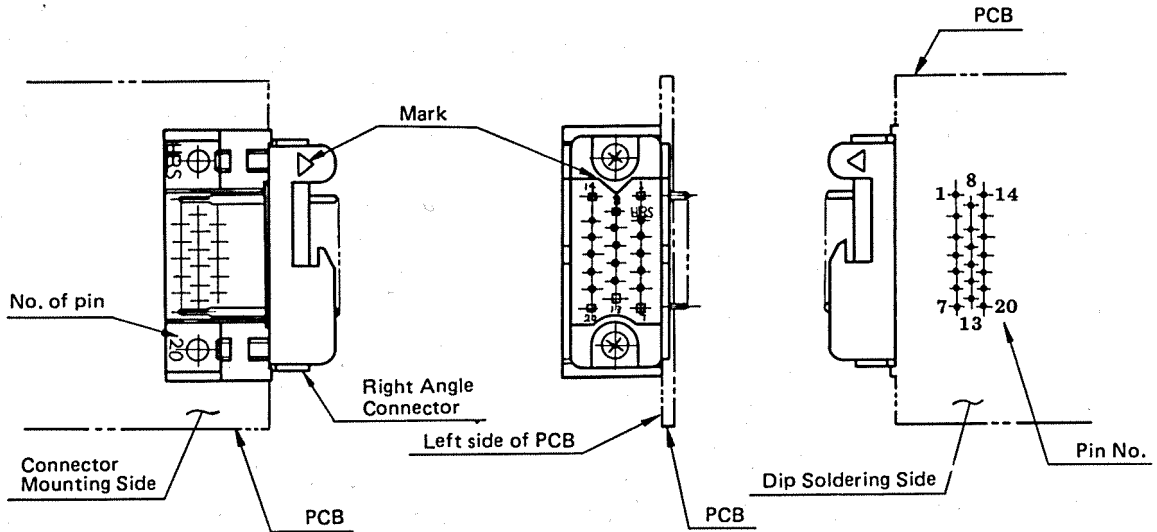


Fig. 1

2. It is possible to mount it on the right side of PCB but special caution is necessary to be opposite all pin locations on dip soldering surface. (Fig. 2)

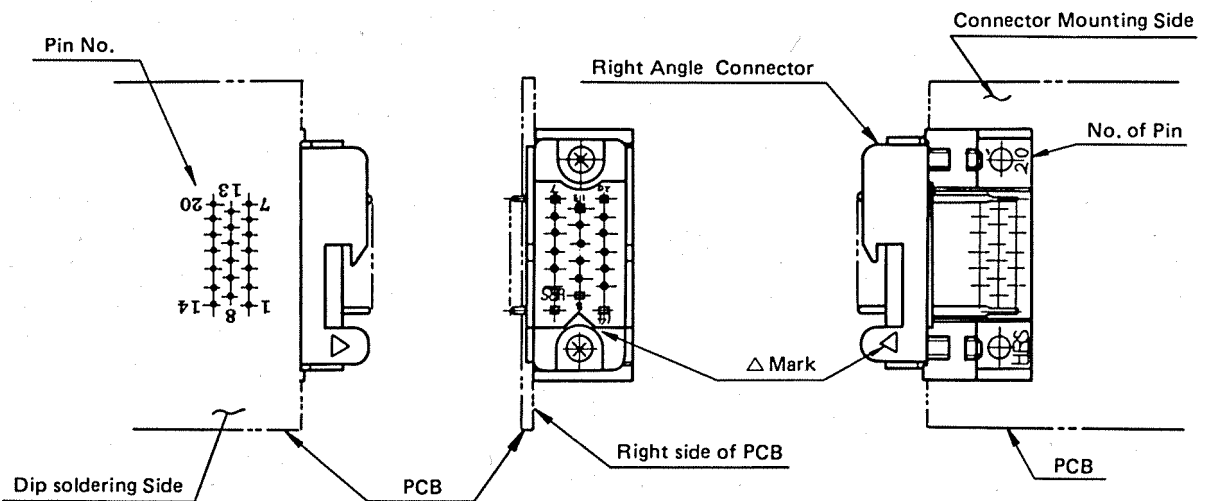


Fig. 2

3. When Top Touch Lock Type Plug Shell and Stopper Bracket are used with mounts on the right side of a PCB, not only the pin locations become opposite, but also the Lock Release Button and Cable

Exit are upside down. So, the Reverse Mount Stopper Bracket is convenient in such case.(Fig.3)

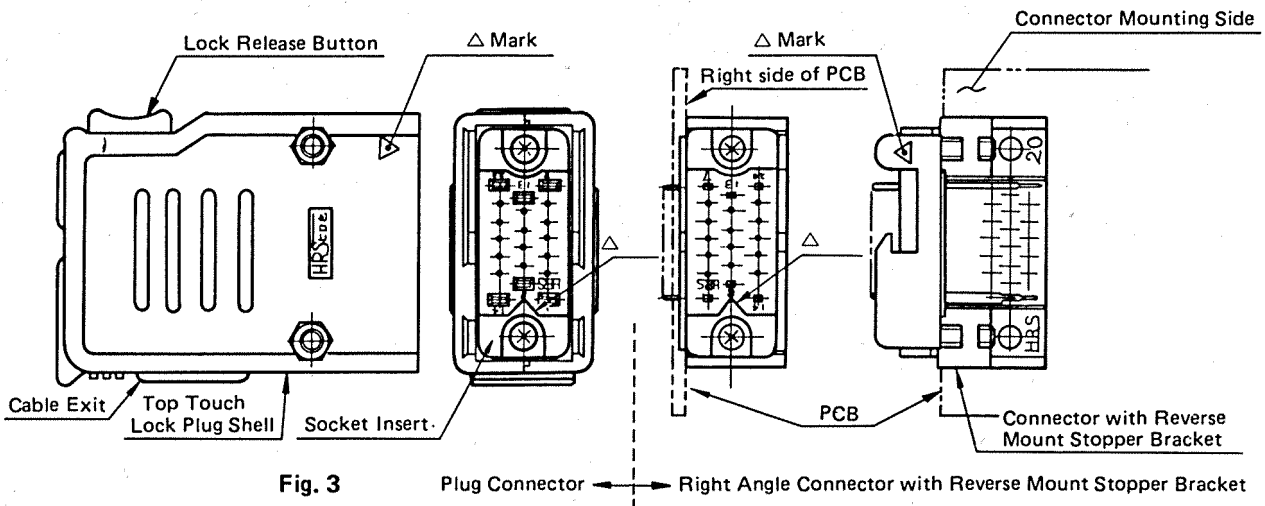
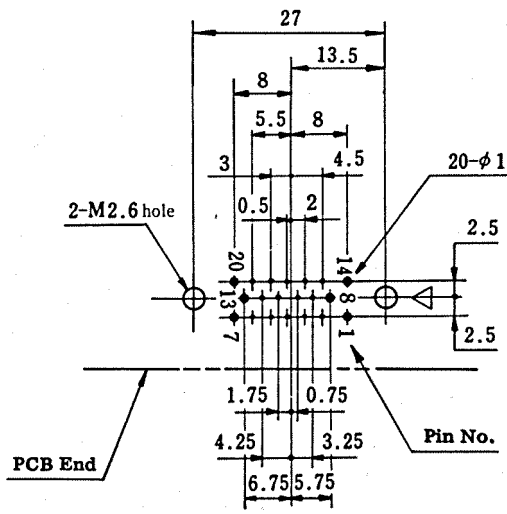


Fig. 3

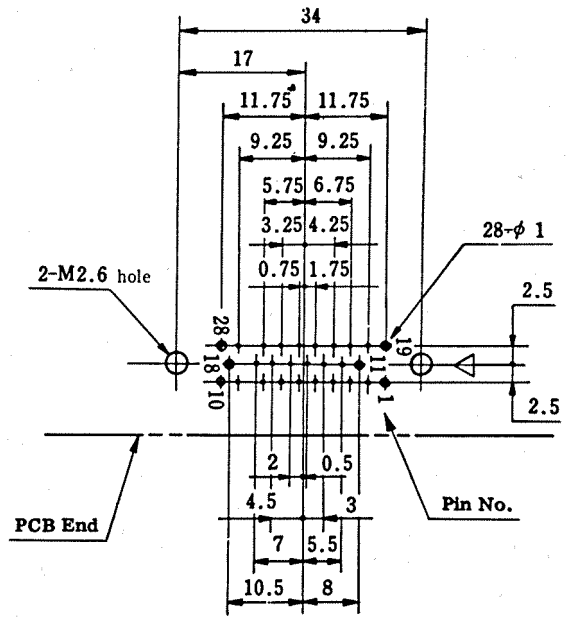
4. M2.6 screws are recommended to mount Right Angle Dip Soldering Pin Connectors.
5. Please choose PC board thinner than 2.4mm.
6. In extracting plug connector, please pull it up straight out to prevent male pin from bending.
7. The standard plating is silver but gold is also an available option.
8. Note: The dip soldering pattern on PCB of Right Angle Type and Straight Type are different from each other.
9. Before using a solvent other than trichloroethylene, chlorosene, methanol, isopropanol, or ethylalcohol to wash soldered connectors, contact our engineering department.

Recommended Dip Soldering Pattern

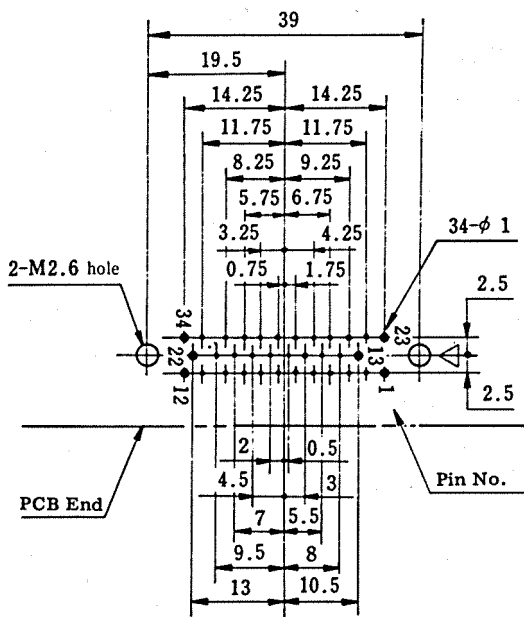
mm



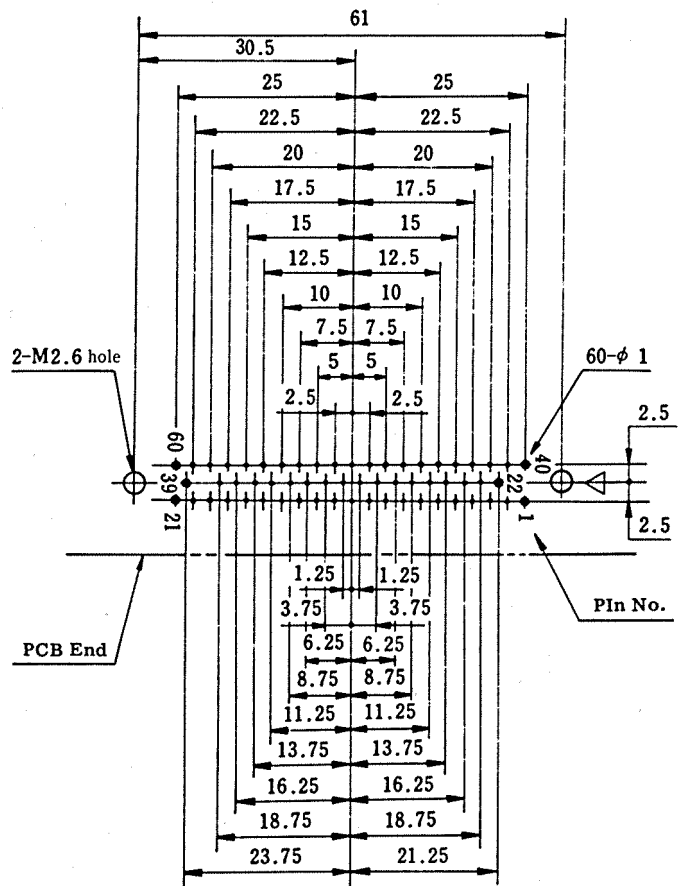
PR-1620B



PR-1628B



PR-1634B



PR-1660B

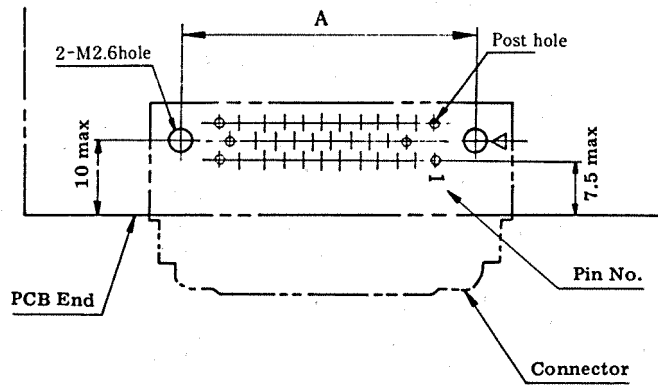
Note 1. The triangle mark represents the position of the same mark on the connector unit.

2. Above pattern is shown from view direction of the connector mounting side.

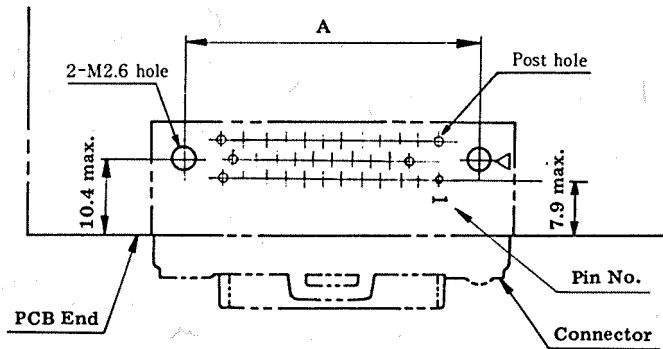
Recommended Mounting Pattern

For insertion-soldering in the PCB, drill mounting holes as shown in the figure below.

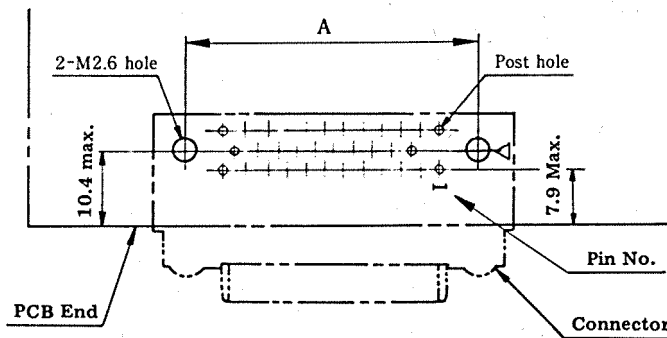
mm



With top-touch-lock type stopper bracket



With side-lock type stopper bracket



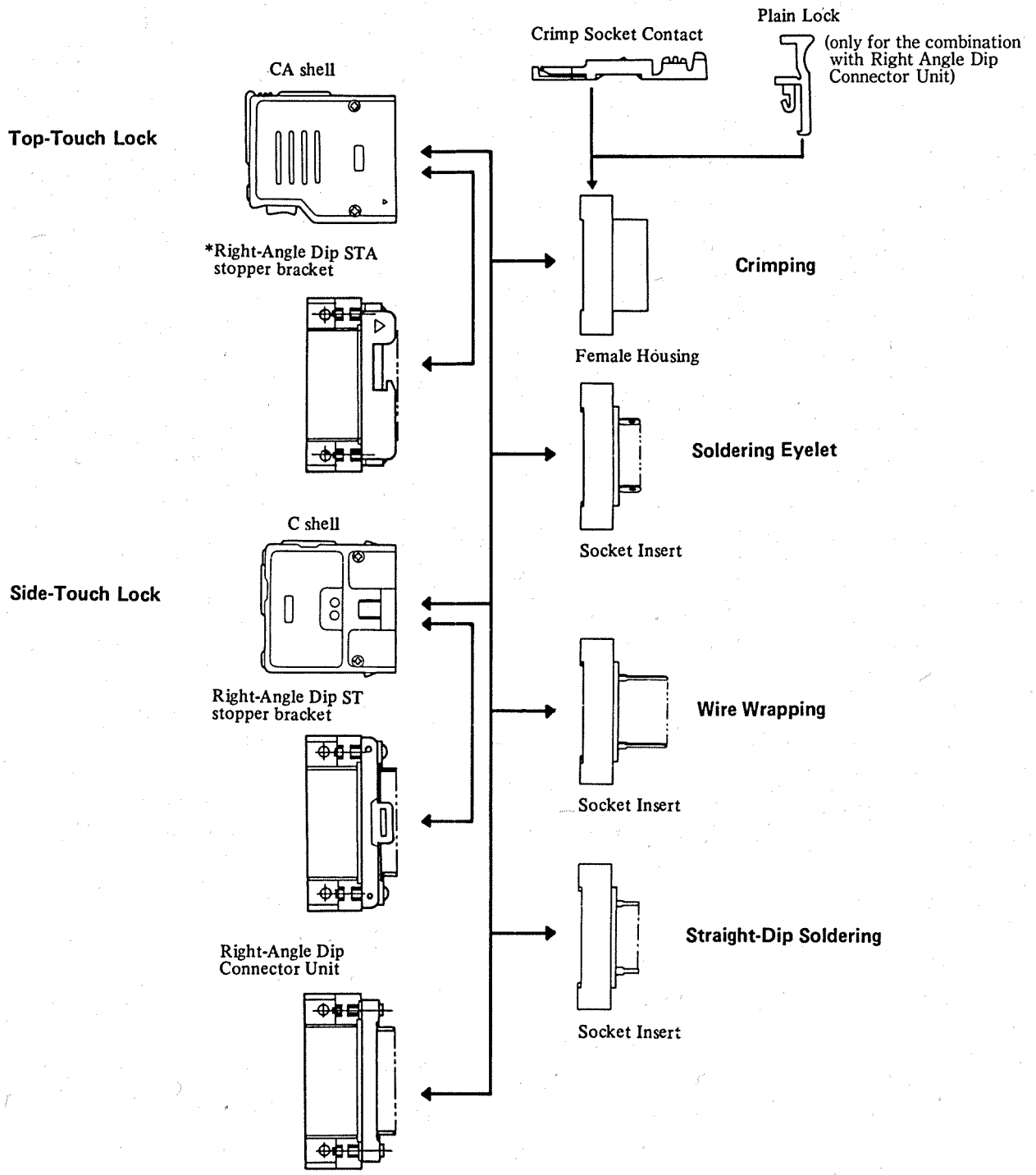
Connector Unit Type

| No. of pin | A |
|------------|----|
| 20 | 27 |
| 28 | 34 |
| 34 | 39 |
| 60 | 61 |

The triangle mark represents the position of the same mark on the connector unit.

Above pattern is shown from view direction of the connector mounting side.

Function Chart 2







*Dust cap is available for STA stopper bracket.

Looking for pricing, stock, or lifecycle information?

Click below to explore more details on WIN SOURCE:

-  [View SC-1612 on WIN SOURCE](#)
-  [Hirose Electric Co Ltd Information](#)

Optimize Your Supply Chain with WIN SOURCE Solutions

-  Global Sourcing Solution
-  Obsolete Management
-  Cost Control Management
-  Shortage Management
-  Alternative Solution
-  Excess Inventory Management