

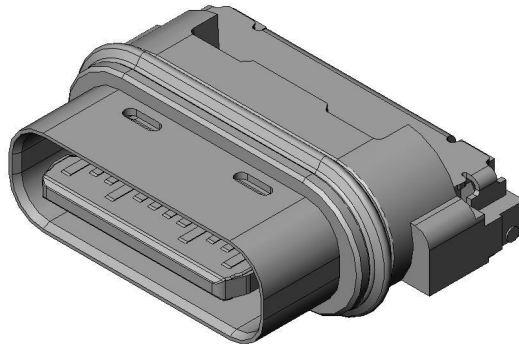


**THE DATASHEET OF
DX07W024JA1R1000**



DX07W024JA1R1000

Product Details



Features

Input/Output Connector, USB Type-C connector, Waterproof(IPX7), Long shell type, 24 pos., Center height 1.35mm, 2-row SMT, Receptacle

Part Number	DX07W024JA1R1000
Status	Active
Number of Positions	24 pos.
Rated Current	5 A max.
Rated Voltage	48 Vr.m.s.
Applicable Specifications	USB 2.0
Waterproof/ Non-waterproof	IPX8 (1.5m for 30 minutes)
Applications	Mobile battery, Power adapter, Wireless charger, Automotive charger, Wireless headset, Wireless earphones, Electronic cigarette and others
Connector Type	Receptacle
Connector Style	Right angle
PCB Mounting Method	2 row SMT horizontal
Replacement	
USB-IF Certification	
TID	
Mounting Type	On-board

Center Height	1.35 mm
Recommended Board Thickness	
Finish of Contact in Connecting Area	Gold plating over Nickel
Shell	
Contact Resistance	40 milliohm max. initial
Dielectric Withstanding Voltage	AC 100 Vr.m.s. (1 minute)
Insulation Resistance	100 megaohm min.
Operating Temperature Range	-40 deg. C to +85 deg. C
Mating Cycles	10,000 times
Packaging Type	Embossed tape packaging
Quantity in The Standard Packaging	1,000 pcs./reel
RoHS compliant	10 substances (2011/65/EU, (EU)2015/863)
REACH compliant	240 substances (23/01/2024)
Remarks	

Related information

Product Videos





Notice

1. The values specified in this web site are only for reference. The products and their specifications are subject to change without notice. Contact our sales staff for further information before considering or ordering any of our products.

For purchase, a product specification must be agreed upon.

2. Users are requested to provide protection circuits and redundancy circuits to ensure safety of the equipment, and sufficiently review the suitability of JAE's products to the equipment.

3. The products presented in this web site are designed for the uses recommended below.

We strongly suggest you contact our sales staff when considering use of any of the products in any other way than the recommended applications or for a specific use that requires an extremely high reliability.

- (1) Applications that require consultation:

* Please contact us if you are considering use involving a quality assurance program that you specify or that is peculiar to the industry, such as:

Automotive electrical components, train control, telecommunications devices (mainline), traffic light control, electric power, combustion control, fire prevention or security systems, disaster evention equipment, etc.

* We may separately give you our support with a quality assurance program that you specify, when you think of a use such as :

Aviation or space equipment, submarine repeaters, nuclear power control systems, medical equipment for life support, etc.

- (2) Recommended applications include:

* Computers, office appliances, telecommunications devices (terminals, mobile units), measuring equipment, audiovisual equipment, home electric appliances, factory

automation equipment, etc

Looking for pricing, stock, or lifecycle information?

Click below to explore more details on WIN SOURCE:

- ⊖ [View DX07W024JA1R1000](#) on WIN SOURCE
- ⊖ [JAE Electronics](#) Information

Optimize Your Supply Chain with WIN SOURCE Solutions

- ✓ Global Sourcing Solution
- ✓ Obsolete Management
- ✓ Cost Control Management
- ✓ Shortage Management
- ✓ Alternative Solution
- ✓ Excess Inventory Management