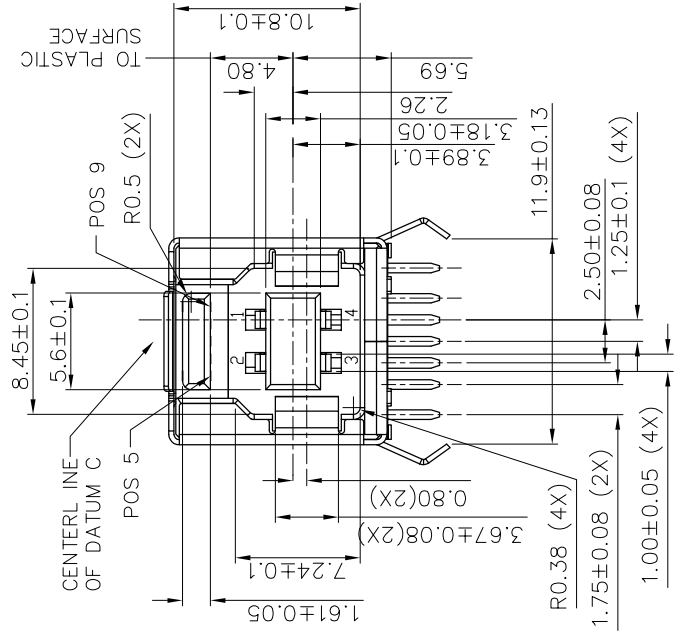
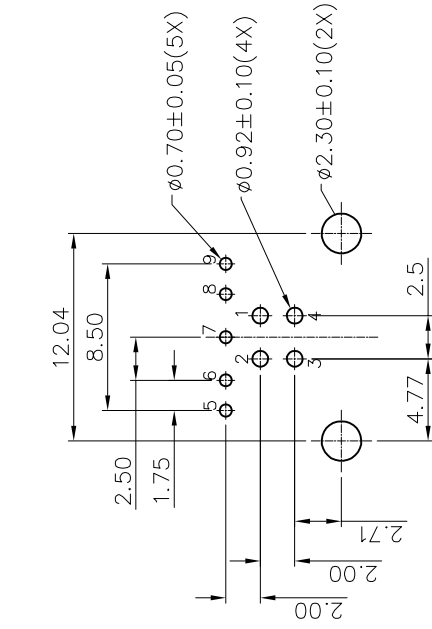
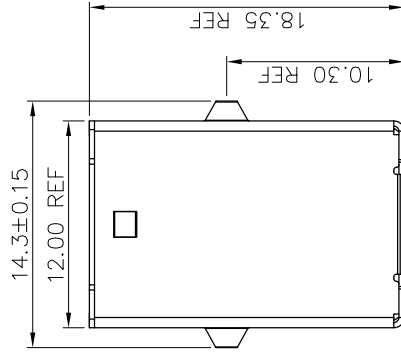


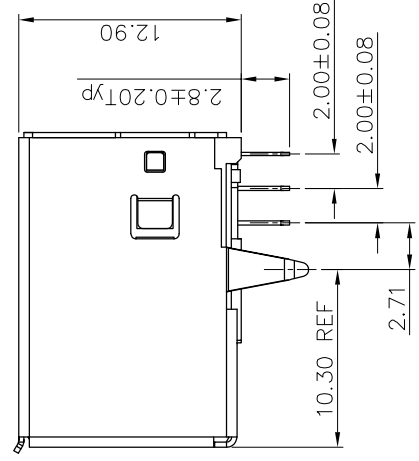


**THE DATASHEET OF
E8199-030-01**





RECOMMENDED PCB LAYOUT
TOP VIEW(TOLERANCE: ±0.05)





- NOTES:
1. MATERIAL
 - 1.1 PLASTIC: N
 - 1.2 SHIELD: S
 - 1.3 PLATING: FRO REAR
 - 1.4 50u"IN
 2. ELECTRICAL
 - 2.1 CURRENT
 - 2.2 CONTACT
 - 2.3 DIELECT
 - 2.4 INSULAT
 3. MECHANICAL
 - 3.1 MATING
 - 3.2 UNMATING
 - 3.3 DURABIL
 4. J-STANDARD-075 OPERATION

DATE 11/20		DATE	
DATE	DATE	DATE	DATE
CHKD	CHKD	APPVL	APPVL
DFTD Roy		MATERIAL :	
TOLERANCES EXCEPT AS NOTED		QTY :	
MM	± 0.38	FINISH :	
°	± 0.13	THIRD ANGLE PROJECTION	
°	± 0.13	SCALE : 1:1	
0.00	± 0.05	3	
0.00	± 0.05	4	
ANGLES: X° ±2°		5	
X.X° ±0.5°		6	
THIRD ANGLE PROJECTION		7	
SCALE : 1:1		8	

Looking for pricing, stock, or lifecycle information?

Click below to explore more details on WIN SOURCE:

-  [View E8199-030-01 on WIN SOURCE](#)
-  [Pulse Information](#)

Optimize Your Supply Chain with WIN SOURCE Solutions

-  Global Sourcing Solution
-  Obsolete Management
-  Cost Control Management
-  Shortage Management
-  Alternative Solution
-  Excess Inventory Management