



**THE DATASHEET OF
SPM-05-S-B-RA-PF**





MUSBS-05-S-B-TH-TR



SPM-05-S-B-VT1-PF

SPM-05-S-B-RA-PF



SPM, MUSBS SERIES

IP68 SEALED MINI USB PORT

Mates with:
USBC

SPECIFICATIONS

For complete specifications and recommended PCB layouts see www.samtec.com?SPM

Insulator Material: Black Liquid Crystal Polymer

Contact Material: Phosphor Bronze

Shield Material: Phosphor Bronze

Plating: 30µ" (0,76µm) Au over 50µ" (1,27µm) Ni, Sn on tail

Operating Temp Range: -55°C to +125°C

Current Rating: 1.9A per contact

Voltage Rating: 190 VAC

Contact Resistance: 15 mΩ max charge from initial

Minimum Cycles: 1000

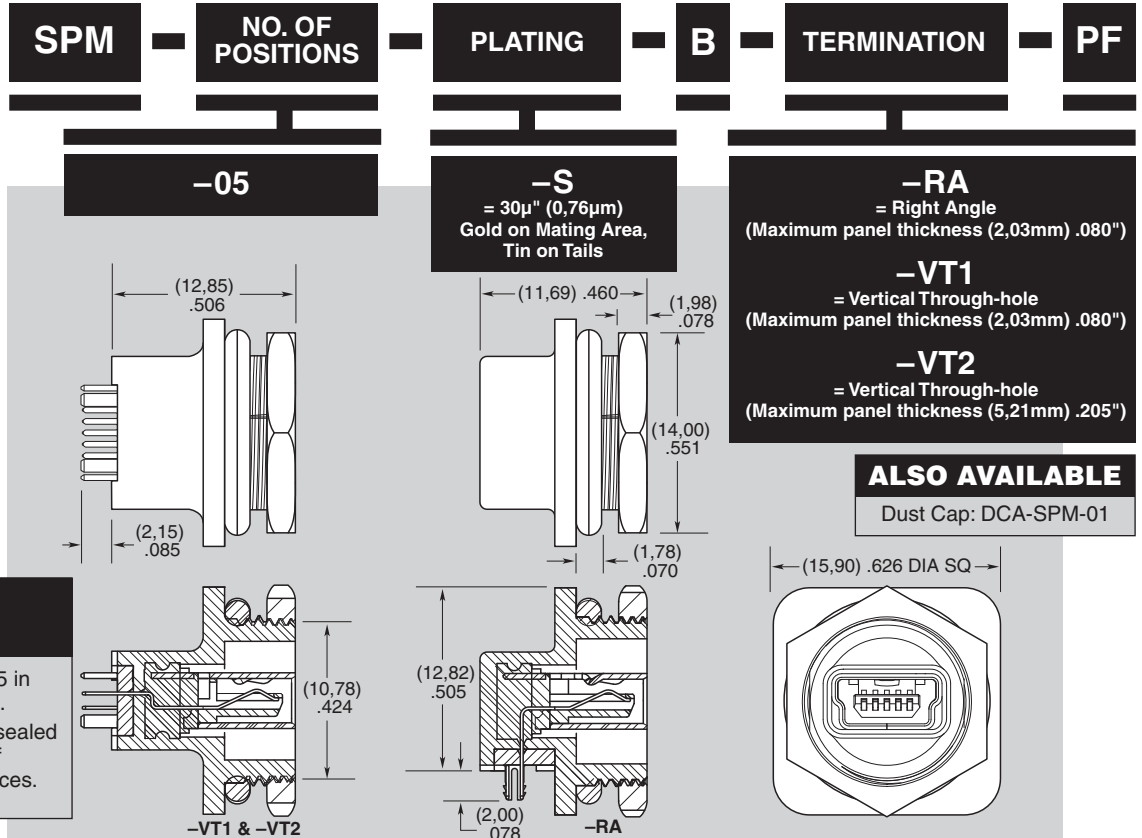
Seal: Silicone

RoHS Compliant: Yes

Lead-Free Solderable: Yes

ALSO AVAILABLE

- Sealed port USB and RJ45 in development. Call Samtec.
- See our AccliMate™ IP68 sealed connectors for a full line of rugged Panel & I/O interfaces.



SPECIFICATIONS

For complete specifications and recommended PCB layouts see www.samtec.com?MUSBS

Insulator Material: Black High Temperature Thermoplastic

Contact Material: Phosphor Bronze

Shell Material: Phosphor Bronze

Plating: Gold on Mating Area, Nickel on Shell, Tin on Tails

Operating Temp Range: -50°C to +85°C

Current Rating: 2A per contact

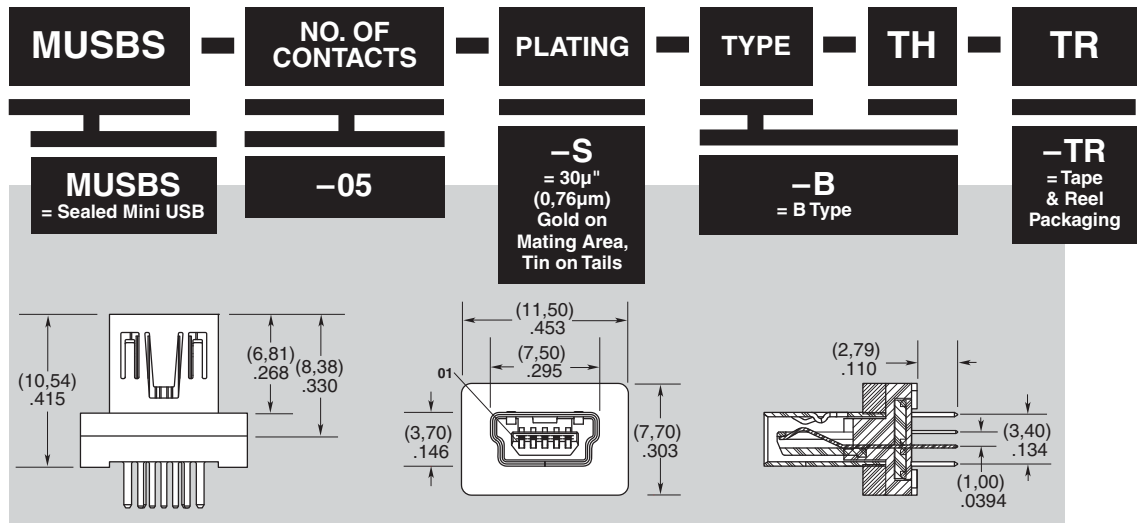
Voltage Rating: 30 VRMS

Contact Resistance: 50 mΩ max

Minimum Cycles: 5000

RoHS Compliant: Yes

Lead-Free Solderable: Yes





Due to technical progress, all designs, specifications and components are subject to change without notice.

WWW.SAMTEC.COM

Looking for pricing, stock, or lifecycle information?

Click below to explore more details on WIN SOURCE:

-  [View SPM-05-S-B-RA-PF on WIN SOURCE](#)
-  [Samtec Inc. Information](#)

Optimize Your Supply Chain with WIN SOURCE Solutions

-  Global Sourcing Solution
-  Obsolete Management
-  Cost Control Management
-  Shortage Management
-  Alternative Solution
-  Excess Inventory Management