



**THE DATASHEET OF  
SPM-05-S-B-VT2-PF**





MUSBS-05-S-B-TH-TR



SPM-05-S-B-VT1-PF

SPM-05-S-B-RA-PF



**SPM, MUSBS SERIES**

# IP68 SEALED MINI USB PORT

Mates with:  
USBC

**SPECIFICATIONS**

For complete specifications and recommended PCB layouts see [www.samtec.com?SPM](http://www.samtec.com?SPM)

**Insulator Material:** Black Liquid Crystal Polymer

**Contact Material:** Phosphor Bronze

**Shield Material:** Phosphor Bronze

**Plating:**

30µ" (0,76µm) Au over  
50µ" (1,27µm) Ni, Sn on tail

**Operating Temp Range:**

-55°C to +125°C

**Current Rating:**

1.9A per contact

**Voltage Rating:** 190 VAC

**Contact Resistance:**

15 mΩ max charge from initial

**Minimum Cycles:**

1000

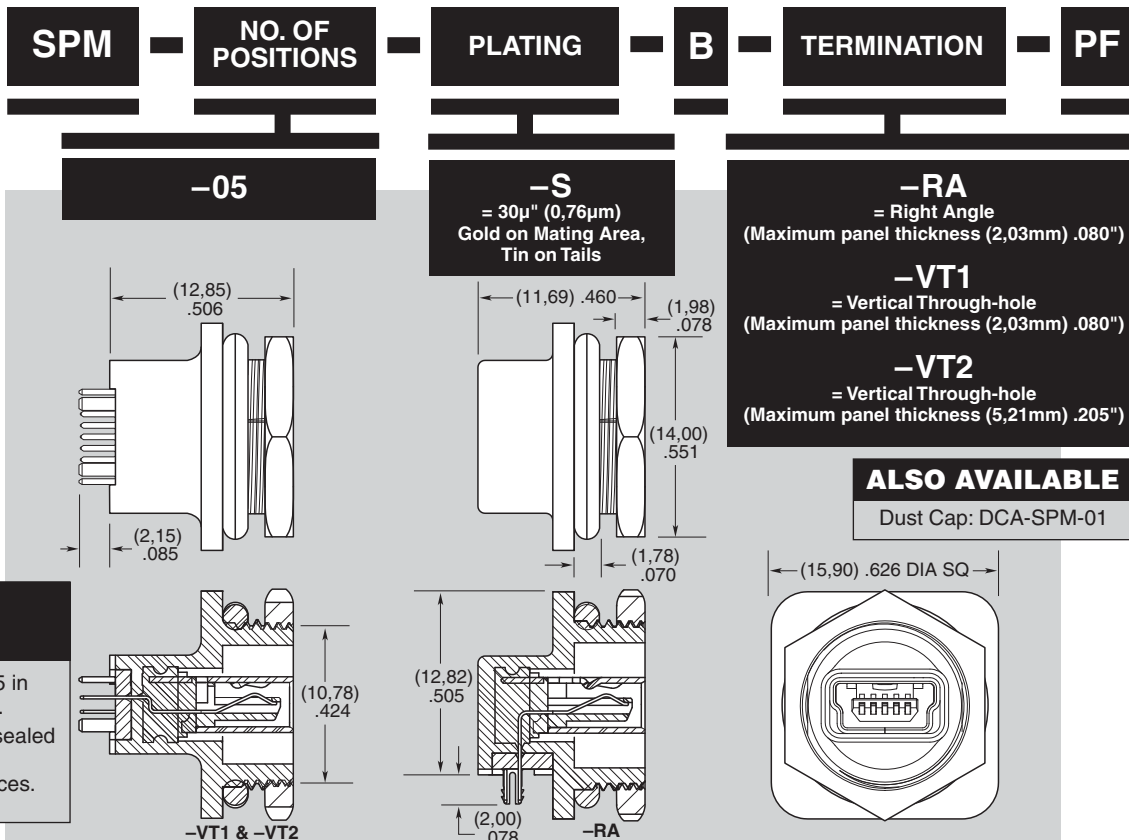
**Seal:** Silicone

**RoHS Compliant:** Yes

**Lead-Free Solderable:** Yes

**ALSO AVAILABLE**

- Sealed port USB and RJ45 in development. Call Samtec.
- See our AccliMate™ IP68 sealed connectors for a full line of rugged Panel & I/O interfaces.



**SPECIFICATIONS**

For complete specifications and recommended PCB layouts see [www.samtec.com?MUSBS](http://www.samtec.com?MUSBS)

**Insulator Material:** Black High Temperature Thermoplastic

**Contact Material:** Phosphor Bronze

**Shell Material:** Phosphor Bronze

**Plating:**

Gold on Mating Area,  
Nickel on Shell, Tin on Tails

**Operating Temp Range:**

-50°C to +85°C

**Current Rating:**

2A per contact

**Voltage Rating:** 30 VRMS

**Contact Resistance:**

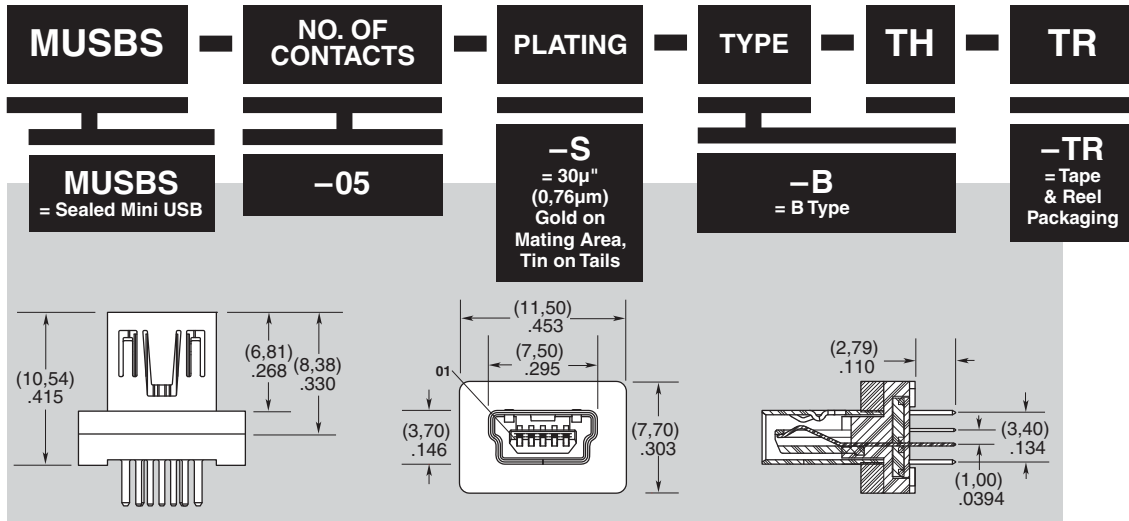
50 mΩ max

**RoHS Compliant:**

Yes

**Lead-Free Solderable:**

Yes



Due to technical progress, all designs, specifications and components are subject to change without notice.

[WWW.SAMTEC.COM](http://WWW.SAMTEC.COM)

## Looking for pricing, stock, or lifecycle information?

Click below to explore more details on WIN SOURCE:

 [View SPM-05-S-B-VT2-PF on WIN SOURCE](#)

 [Samtec Inc. Information](#)

## Optimize Your Supply Chain with WIN SOURCE Solutions

-  Global Sourcing Solution
-  Obsolete Management
-  Cost Control Management
-  Shortage Management
-  Alternative Solution
-  Excess Inventory Management