



**THE DATASHEET OF
ASD-12.000MHZ-LC-T**



HCMOS SMD Crystal Oscillator



ASD

2.5 X 2.0 X 1.0 mm

ASD SERIES



ESD Sensitive



RoHS/RoHS II compliant

Moisture Sensitivity Level (MSL) – This product is Hermetically Sealed and not Moisture Sensitive - MSL = N/A: Not Applicable

For Vdd=3.3V & 2.5V and custom frequencies between 8.00MHz & 200.000MHz, or carrier frequency > 60.0MHz, please consider Abracon's [ASG2-C series](#) of XO and VCXO's

FEATURES:

- Low height 1.0mm max
- Low current consumption
- Tri-state function
- Suitable for RoHS compliant reflow
- Tight stability option
- Seam sealed package assures high reliability

APPLICATIONS:

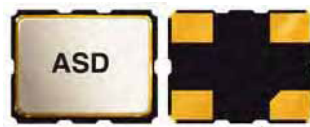
- CCD clock for VTR Camera
- Equipment connected to PC or PC cards
- Thin equipment

STANDARD SPECIFICATIONS:

| Parameters | | Minimum | Typical | Maximum | Units | Notes |
|-----------------------------|-------------|----------|---------|----------|------------|---------------------------------------|
| Frequency Range | | 0.750 | | 60 | MHz | |
| Operating Temperature | | -20 | | +70 | °C | STD temp. Option code E (See options) |
| Storage Temperature | | -55 | | +100 | °C | |
| Overall Frequency Stability | | -100 | | +100 | ppm | See options |
| Supply Voltage (Vdd) | | +3.135 | +3.3 | +3.465 | V | ASD (Standard) |
| | | +2.85 | +3.0 | +3.15 | | ASD1 |
| | | +2.375 | +2.5 | +2.625 | | ASD2 |
| | | +1.71 | +1.8 | +1.89 | | ASD3 |
| | | +0.95 | +1.0 | +1.05 | | ASD6 |
| Input Current (Idd) | ASD (3.3V) | | 2.5 | 5 | mA | 0.750~15.999 MHz |
| | | | 4 | 7 | | 16.000~39.999 MHz |
| | | | 9 | 13 | | 40.000~60.000 MHz |
| | ASD1 (3.0V) | | 2.5 | 4 | mA | 0.750~15.999 MHz |
| | | | 3.5 | 6 | | 16.000~39.999 MHz |
| | | | 8 | 12 | | 40.000~60.000 MHz |
| | ASD2 (2.5V) | | 2 | 3.5 | mA | 0.750~15.999 MHz |
| | | | 3 | 5 | | 16.000~39.999 MHz |
| | | | 7 | 10 | | 40.000~60.000 MHz |
| | ASD3 (1.8V) | | 1 | 2.5 | mA | 0.750~15.999 MHz |
| | | | 2 | 4 | | 16.000~39.999 MHz |
| | | | 4 | 7 | | 40.000~60.000 MHz |
| ASD6 (1.0V) | | 1.0 | 2.5 | mA | 25.000 MHz | |
| Symmetry @ 1/2Vdd | | 40 | | 60 | % | STD (See option) |
| Output Load: | | | | 15 | pF | CMOS |
| Output Voltage (VOH): | | 0.9* Vdd | | | V | |
| Output Voltage (VOL): | | | | 0.1* Vdd | V | |



HCMOS SMD Crystal Oscillator



ASD SERIES



RoHS/RoHS II compliant

2.5 X 2.0 X 1.0 mm

(Continued)

| Parameters | | Minimum | Typical | Maximum | Units | Notes | |
|---------------------------------|-------------------|--|---------|---------|-------------------|-------------------|-------------------|
| Rise and Fall Time (Tr/Tf): | ASD (3.3V) | | 3 | 7 | ns | 0.750~15.999 MHz | |
| | | | 2.5 | 6 | | 16.000~39.999 MHz | |
| | | | 2 | 4 | | 40.000~60.000 MHz | |
| | ASD1 (3.0V) | | 3 | 7 | ns | 0.750~15.999 MHz | |
| | | | 2.5 | 6 | | 16.000~39.999 MHz | |
| | | | 2 | 4 | | 40.000~60.000 MHz | |
| | ASD2 (2.5V) | | 4 | 8 | ns | 0.750~15.999 MHz | |
| | | | 3 | 7 | | 16.000~39.999 MHz | |
| | | | 2.5 | 5 | | 40.000~60.000 MHz | |
| | ASD3 (1.8V) | | 5 | 10 | ns | 0.750~15.999 MHz | |
| | | | 3.5 | 8 | | 16.000~39.999 MHz | |
| | | | 3 | 6 | | 40.000~60.000 MHz | |
| | ASD6 (1.0V) | | 1.9 | 6.0 | ns | 25.000 MHz | |
| | Start-up Time: | ASD (3.3V) | | 6 | 10 | ms | 0.750~15.999 MHz |
| | | | | 6 | 10 | | 16.000~39.999 MHz |
| | | | 5 | 10 | 40.000~60.000 MHz | | |
| ASD1 (3.0V) | | | 6 | 10 | ms | 0.750~15.999 MHz | |
| | | | 6 | 10 | | 16.000~39.999 MHz | |
| | | | 5 | 10 | | 40.000~60.000 MHz | |
| ASD2 (2.5V) | | | 6 | 10 | ms | 0.750~15.999 MHz | |
| | | | 6 | 10 | | 16.000~39.999 MHz | |
| | | | 5 | 10 | | 40.000~60.000 MHz | |
| ASD3 (1.8V) | | | 6 | 10 | ms | 0.750~15.999 MHz | |
| | | | 6 | 10 | | 16.000~39.999 MHz | |
| | | | 5 | 10 | | 40.000~60.000 MHz | |
| ASD6 (1.0V) | | | 2.0 | 10 | ms | 25.000 MHz | |
| Tri-state function (Stand-by) : | | "1" (VIH≥0.7*Vdd) or Open: Oscillation; "0" (VIH<0.3*Vdd) : No oscillation/Hi Z | | | | | |
| Phase Jitter (12kHz to 20MHz) | | ASD (3.3V) | | 0.4 | 1.0 | ps | 0.750~15.999 MHz |
| | | | 0.4 | 1.0 | 16.000~39.999 MHz | | |
| | | | 0.3 | 1.0 | 40.000~60.000 MHz | | |
| | ASD1 (3.0V) | | 0.4 | 1.0 | ps | 0.750~15.999 MHz | |
| | | | 0.4 | 1.0 | | 16.000~39.999 MHz | |
| | | | 0.3 | 1.0 | | 40.000~60.000 MHz | |
| | ASD2 (2.5V) | | 0.5 | 1.0 | ps | 0.750~15.999 MHz | |
| | | | 0.5 | 1.0 | | 16.000~39.999 MHz | |
| | | | 0.5 | 1.0 | | 40.000~60.000 MHz | |
| | ASD3 (1.8V) | | 0.5 | 1.0 | ps | 0.750~15.999 MHz | |
| | | | 0.5 | 1.0 | | 16.000~39.999 MHz | |
| | | | 0.5 | 1.0 | | 40.000~60.000 MHz | |
| | ASD6 (1.0V) | | 0.3 | 1.0 | ps | 25.000 MHz | |
| | Period Jitter RMS | ASD (3.3V) | | 3.0 | 5.0 | ps | 0.750~15.999 MHz |
| | | | | 3.0 | 5.0 | | 16.000~39.999 MHz |
| | | | 3.0 | 5.0 | 40.000~60.000 MHz | | |
| ASD1 (3.0V) | | | 3.0 | 5.0 | ps | 0.750~15.999 MHz | |
| | | | 3.0 | 5.0 | | 16.000~39.999 MHz | |
| | | | 3.0 | 5.0 | | 40.000~60.000 MHz | |
| ASD2 (2.5V) | | | 3.0 | 5.0 | ps | 0.750~15.999 MHz | |
| | | | 3.0 | 5.0 | | 16.000~39.999 MHz | |
| | | | 3.0 | 5.0 | | 40.000~60.000 MHz | |
| ASD3 (1.8V) | | | 3.0 | 5.0 | ps | 0.750~15.999 MHz | |
| | | | 3.0 | 5.0 | | 16.000~39.999 MHz | |
| | | | 3.0 | 5.0 | | 40.000~60.000 MHz | |
| ASD6 (1.0V) | | | 4.8 | 6.0 | ps | 25.000 MHz | |
| Aging at 25°C/year | | -5 | | +5 | ppm | | |
| Disable Current: | | | | 20 | µA | | |

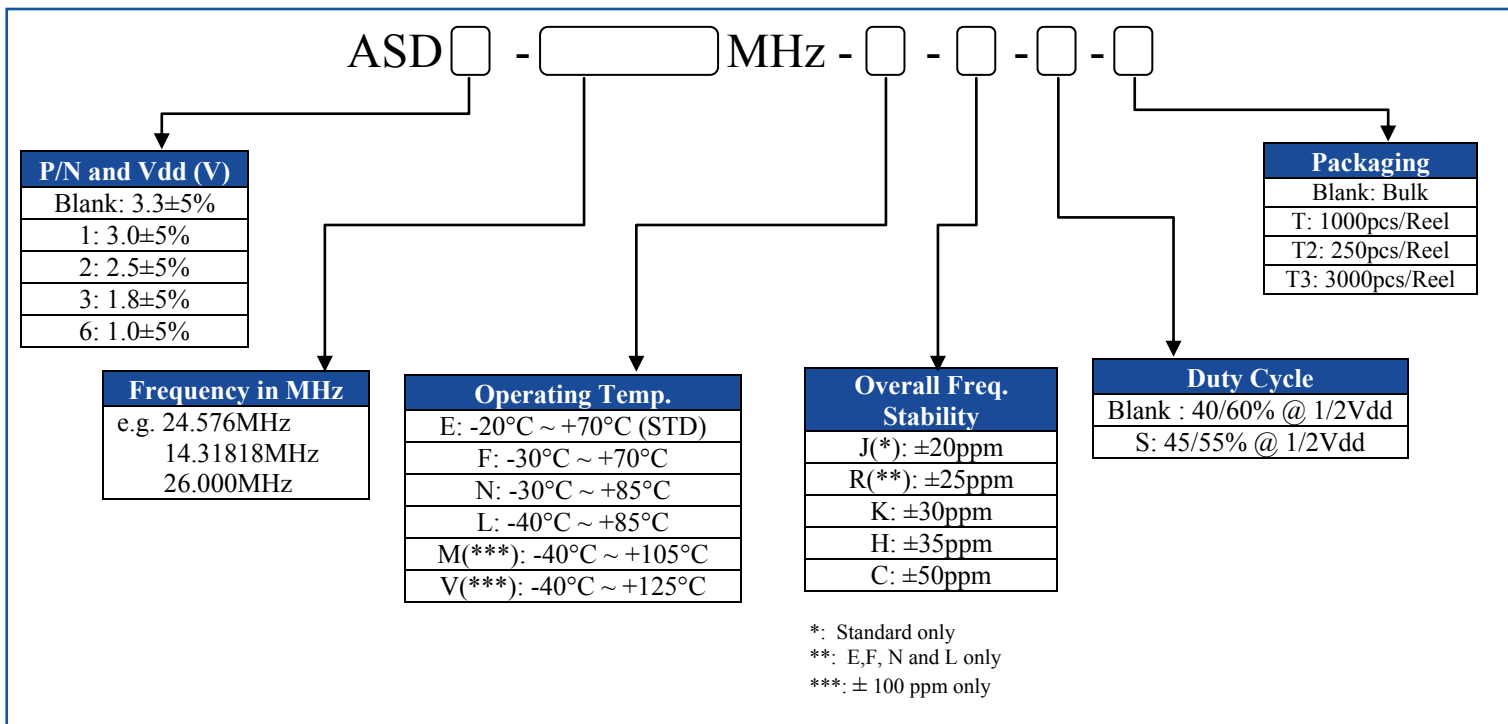
HCMOS SMD Crystal Oscillator



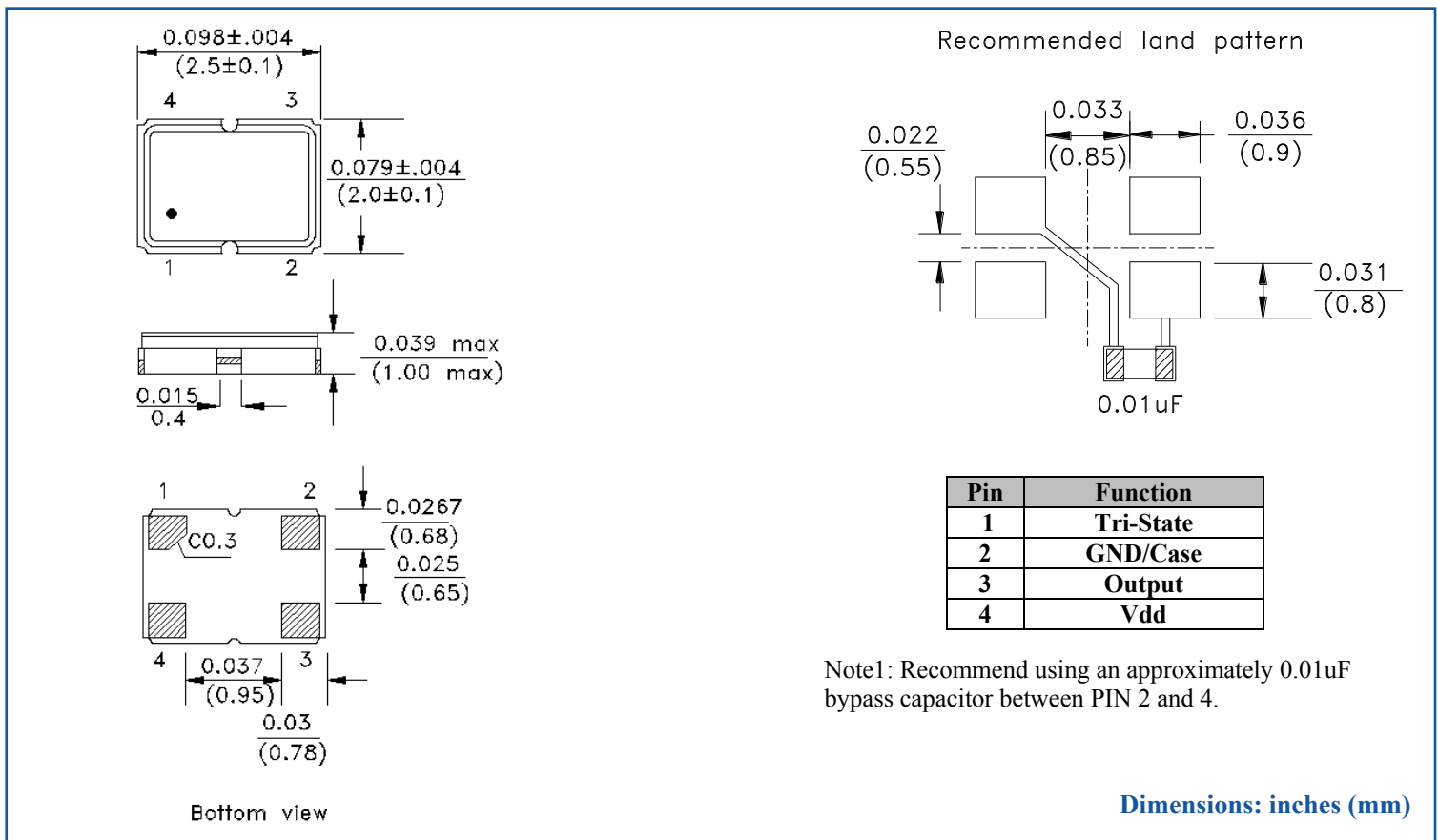
2.5 X 2.0 X 1.0 mm

ASD SERIES

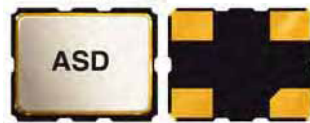
OPTIONS AND PART IDENTIFICATION:



OUTLINE DRAWING:



HCMOS SMD Crystal Oscillator



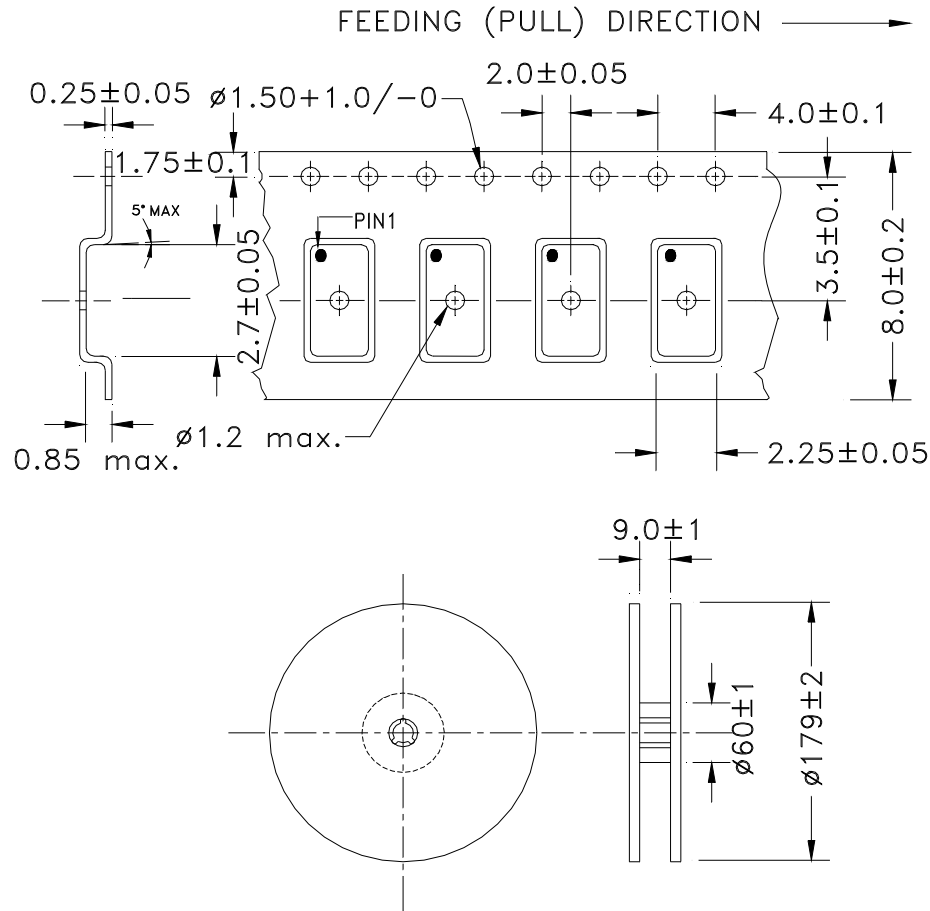
ASD

2.5 X 2.0 X 1.0 mm

ASD SERIES

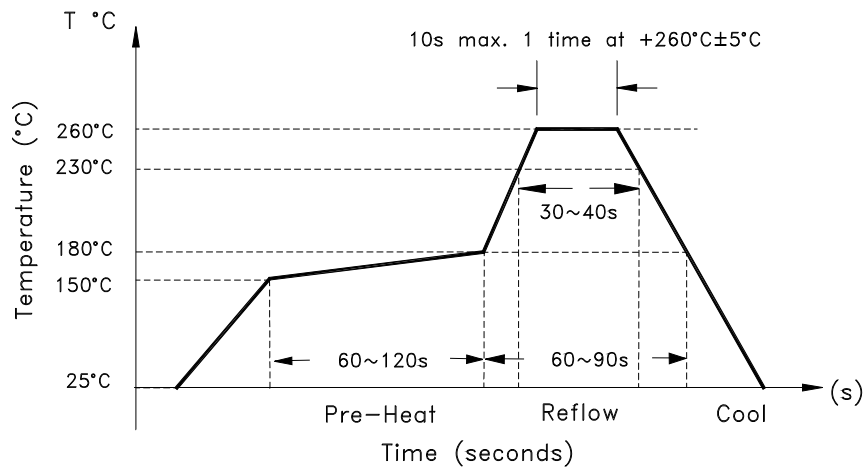
TAPE & REEL:

T: 1000pcs/reel
T2: 250pcs/reel
T3: 3000pcs/reel



Dimensions: mm

REFLOW PROFILE:



Need a test socket for the ASD Series? To view compatible **PRECISION TEST & BURN-IN SOCKETS** for these parts, [click here. P/N AXS-2520-04-01](#)

ATTENTION: Abracon Corporation's products are COTS – Commercial-Off-The-Shelf products; suitable for Commercial, Industrial and, where designated, Automotive Applications. Abracon's products are not specifically designed for Military, Aviation, Aerospace, Life-dependant Medical applications or any application requiring high reliability where component failure could result in loss of life and/or property. For applications requiring high reliability and/or presenting an extreme operating environment, written consent and authorization from Abracon Corporation is required. Please contact Abracon Corporation for more information.

ABRACON IS
ISO9001:2008
CERTIFIED

ABRACON
CORPORATION

Visit www.abracon.com for Terms & Conditions of Sale **Revised: 01.19.15**
30332 Esperanza, Rancho Santa Margarita, California 92688
tel 949-546-8000 | fax 949-546-8001 | www.abracon.com

Looking for pricing, stock, or lifecycle information?

Click below to explore more details on WIN SOURCE:

- ⊖ [View ASD-12.000MHZ-LC-T on WIN SOURCE](#)
- ⊖ [Abracon LLC Information](#)

Optimize Your Supply Chain with WIN SOURCE Solutions

- ✓ Global Sourcing Solution
- ✓ Obsolete Management
- ✓ Cost Control Management
- ✓ Shortage Management
- ✓ Alternative Solution
- ✓ Excess Inventory Management