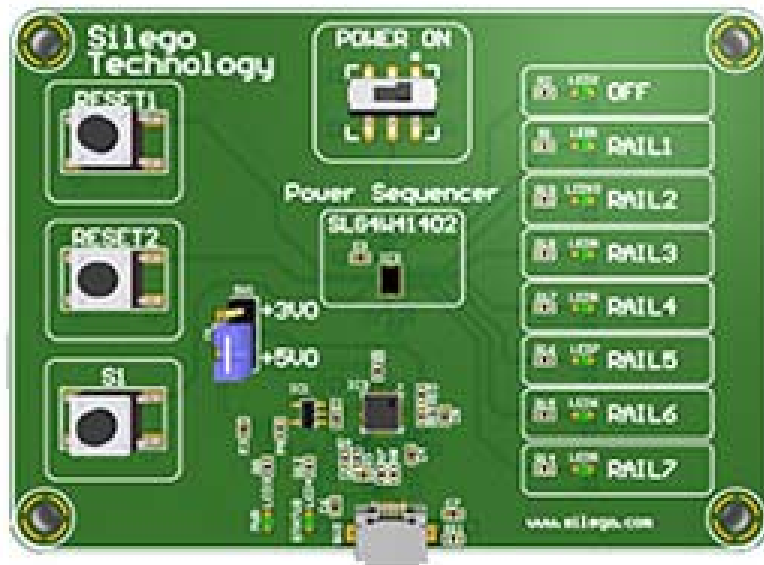




# THE DATASHEET OF SLG4PWRSQ-DMO





## SLG4PWRSQ-DMO

Power Sequencer Demo Board.

## Looking for pricing, stock, or lifecycle information?

Click below to explore more details on WIN SOURCE:

- ⊖ [View SLG4PWRSQ-DMO on WIN SOURCE](#)
- ⊖ [Dialog Semiconductor GmbH Information](#)

## Optimize Your Supply Chain with WIN SOURCE Solutions

- ✓ Global Sourcing Solution
- ✓ Obsolete Management
- ✓ Cost Control Management
- ✓ Shortage Management
- ✓ Alternative Solution
- ✓ Excess Inventory Management