



**THE DATASHEET OF
SI871XSDIP6-KIT**





UG507:Si871x-EVB

SKYWORX[®]

Si871x LED EMULATOR INPUT ISOLATOR EVALUATION BOARD USER'S GUIDE

1. Introduction

The Si871x evaluation board allows designers to evaluate Skyworks' family of CMOS based LED Emulator Input isolators. The Si871x isolators are pin-compatible, single-channel, drop-in replacements for popular optocouplers with data rates up to 15 Mbps. These devices isolate high-speed signals and offer performance, reliability, and flexibility advantages not available with optocoupler solutions. The Si871x series is based on Skyworks' proprietary CMOS isolation technology for low-power and high-speed operation and are resistant to the wear-out effects found in optocouplers that degrade performance with increasing temperature, forward current, and device age. As a result, the Si871x series offer longer service life and dramatically higher reliability compared to optocouplers. Ordering options for the family include a push-pull output stage with or without an output enable pin to select a default output state (Hi-Z, logic-low, or logic-high). The evaluation kit consists of three separately orderable boards with each board featuring either the DIP8, SOIC8, or SDIP6 package. For more information on configuring the isolator itself, see the Si871x product data sheet and as well as application note "AN681: Using the Si87xx Family of Digital Isolators".

1.1. Kit Contents

The Si871x Evaluation Kit contains the following items:

- Si871x based evaluation board as shown in Figures 1 through 3.
- Si871x LED Emulator Input isolator (installed on the evaluation board)
 - Si8718 (DIP8, SOIC8)
 - Si8719 (SDIP6)

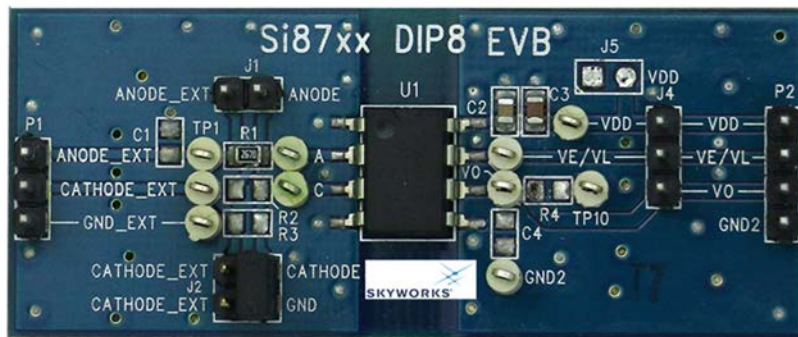


Figure 1. Si871x DIP8 Evaluation Board Overview

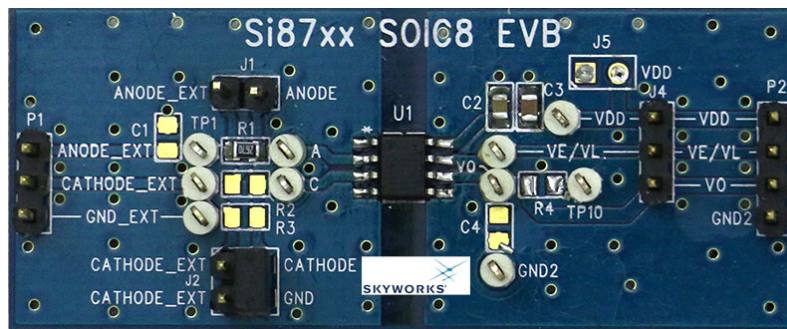


Figure 2. Si871x SOIC8 Evaluation Board Overview

UG507:Si871x-EVB

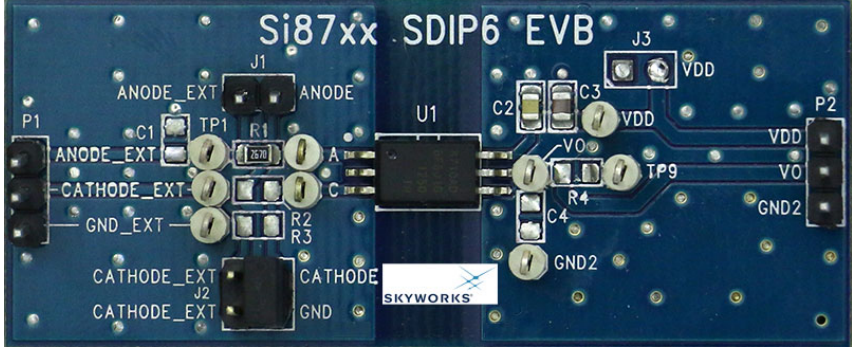


Figure 3. Si871x SDIP6 Evaluation Board Overview

2. Required Equipment

The following equipment is required to demonstrate the evaluation board:

- 1 digital multimeter
- 2 multimeter test leads (red and black)
- 1 oscilloscope (Tektronix TDS 2024B or equivalent)
- 1 BNC splitter
- 3 coaxial cables
- 1 dc power supply (HP6024A, 30 V dc, 0–100 mA or equivalent)
- 2 BNC to clip converters (red and black)
- 2 Banana to clip wires (red and black)
- 1 Clip to Clip wire (any color)
- 1 function generator (Agilent 33220A, 20 MHz or equivalent)
- Si871x Evaluation Board (board under test)
- Si871x LED Emulator Input Evaluation Board User's Guide (this document)

UG507:Si871x-EVB

3. Hardware Overview and Demo

Figure 4 illustrates the connection diagram to demonstrate the Si871x-DIP8 EVB. The other footprint boards demonstrate in a similar fashion. This demo transmits a 500 kHz (5 V peak, 50 percent duty cycle) square wave through the isolator to its output (Vo). In this example, VDD is powered by a 5 V supply. Figure 5 shows a scope shot of CH1 (input) and CH2 (output). Note that if a user wants to evaluate an LED Emulator Input isolator other than the ones prepopulated, this can be accomplished by removing the installed device and replacing it with the desired footprint-compatible isolator device.

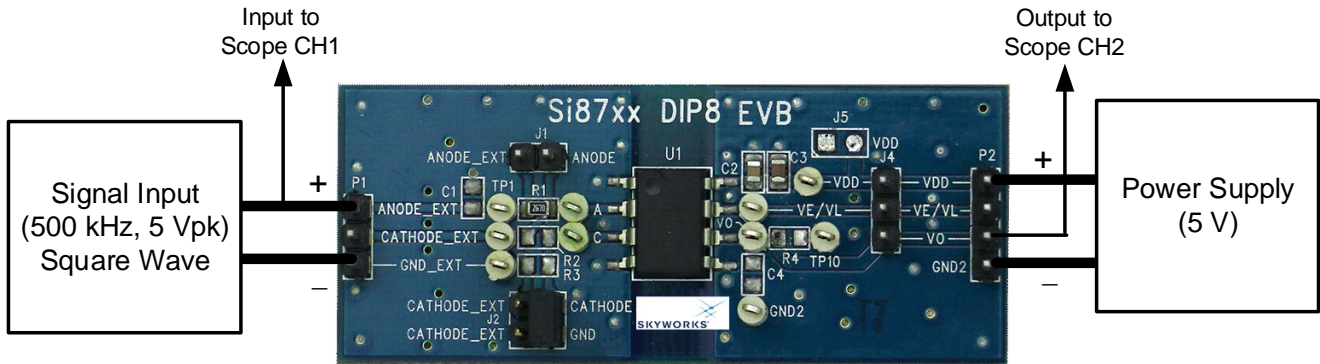


Figure 4. Summary Diagram and Test Setup

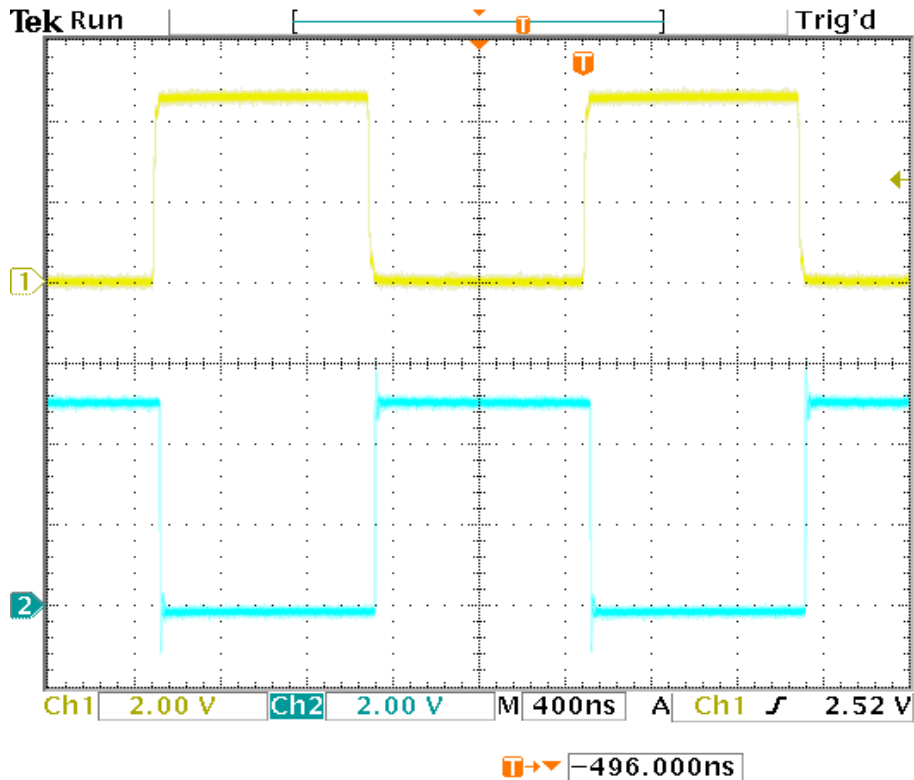


Figure 5. Oscilloscope Display of Input and Output

3.1. Board Jumper Settings

To run the demo, follow the instructions below. Review Figure 4 and Figures 9 through 11 if necessary.

1. If demonstrating the SOIC8 or DIP8 EVB featuring the Si8718, ensure that J2 is installed as shown in Figure 1 or 2.
2. If demonstrating the SDIP6 EVB featuring the Si8719, ensure that J2 is installed as shown in Figure 3.

3.2. DC Supply Configuration

1. Turn OFF the dc power supply and ensure that the output voltage is set to its lowest output voltage.
2. Connect the banana ends of the black and red banana to clip terminated wires to the outputs of the dc supply.
3. Then, connect the clip end of the red and black banana to clip wires to P2. The red wire goes to Pin1. The black wire goes to Pin4.
4. Turn ON the dc power supply.
5. Adjust the dc power supply to provide 5 V on its output.
6. Ensure that the current draw is less than 25 mA. If it is larger, this indicates that either the board or Si871x has been damaged or the supply is connected backwards.

3.3. Wave Form Generator

1. Turn ON the arbitrary waveform generator with the output disengaged.
2. Adjust its output to provide a 500 kHz, 0 to 5 V peak square wave (50 percent duty cycle) to its output.
3. Split the output of the generator with a BNC splitter.
4. From the BNC splitter, connect a coaxial cable to CH1 of the scope. This will be the input.
5. Connect a second coaxial cable to the BNC splitter, and connect a BNC-to-clip converter to the end of the coaxial cable.
6. From here, connect the clip end of the BNC-to-clip converter to P1, Pin1 (red wire here) and Pin3 (black wire here). The positive terminal is Pin1 on P1.
7. Connect one end of a third coaxial cable to a BNC-to-clip converter (note that a scope probe can be used here instead).
8. From here, connect the clip end of the BNC-to-clip converter to P2, Pin3 (red wire here) and Pin4 (black wire here). Vo is on P2 Pin3.
9. Connect the other end of the coaxial cable to CH2 of the oscilloscope. This will be the output.
10. Engage the output of the waveform generator.

3.4. Oscilloscope Setup

1. Turn ON the oscilloscope.
2. Set the scope to Trigger on CH1 and adjust the trigger level to 1 V minimum.
3. Set CH1 and CH2 to 2 V per division.
4. Adjust the seconds/division setting to 400 ns/division.
5. Adjust the level indicator for all channels to properly view each channel as shown in Figure 5.

A 500 kHz square wave should display on Channel 1 of the scope for the input and a 5 V delayed and inverted version of this square wave should display the output on Channel 2, as shown in Figure 5. This concludes the basic demo. For more advanced demos, see the following sections.

3.5. Adjusting Input Signal Frequency and VDD

Now is a good time to explore some additional functionality of the board. From here the user can do the following:

1. Slowly adjust VDD down to 3 V and up to 5.5 V. Then, take the VDD voltage below 2 V. Once below 2 V, it can be seen that the Si871x's UVLO turns on. In this condition, the output should turn off in which case the square wave disappears.
2. Next, adjust the supply back to 5 V.
3. Now, turn this frequency control dial on the signal generator from tens of Hz up to 15 MHz and observe the scope output.

3.6. Enable Test (DIP8 and SOIC8 Only)

The next test demonstrates the ENABLE function of the Si8718. To perform this test:

1. Remove the shunt on J4.
2. Connect a clip-to-clip wire from P2, Pin2 (VE/VL) to P2, Pin4 (GND2).
3. The output should be pulled to Hi-z and the square wave turned off.
4. To resume normal operation, remove the clip-to-clip wire on P2, and reinstall the shunt on J4 (position 1-2).

4. Hardware Overview and Setup

The power and jumper connections descriptions are summarized here:

- P1 External input signal connections to drive the LED Emulator.
- P2 External output signal connections.
- J1 Jumper when installed used to accommodate common-anode drive.
- J2 Jumper when installed used to accommodate common-cathode drive.
- J3, J5 Jumper used to connect external pull-up resistor R4 (Si87xx open-collector output only).
- J4 Jumper used to tie the enable pin to VDD and activate the output default state (Hi-z, logic-low, or logic-high).

4.1. Voltage and Current Sense Test Points

The Si871x evaluation board has several test points. These test points correspond to the respective pins on the Si871x integrated circuits as well as other useful inspection points. See Figures 6 through 8 for a silkscreen overview. See schematics in Figures 9 through 11 for more details.

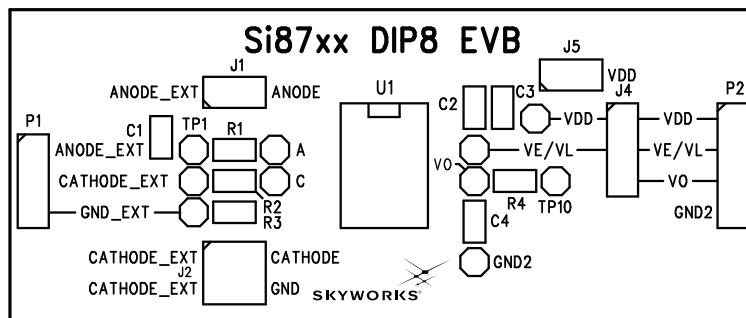


Figure 6. Si87xx DIP8 Evaluation Board Silkscreen

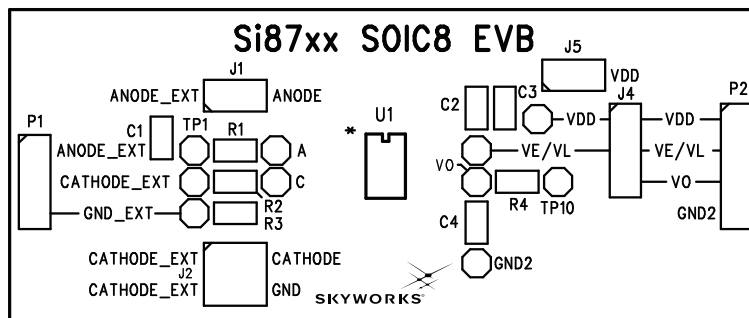


Figure 7. Si87xx SOIC8 Evaluation Board Silkscreen

UG507:Si871x-EVB

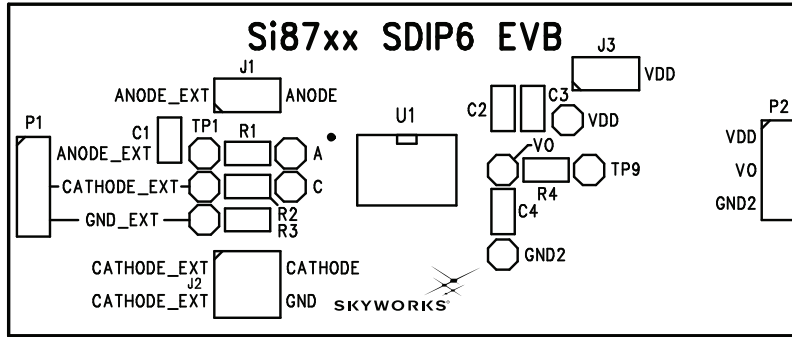


Figure 8. Si87xx SDIP6 Evaluation Board Silkscreen

5. Si871x Evaluation Board Schematics

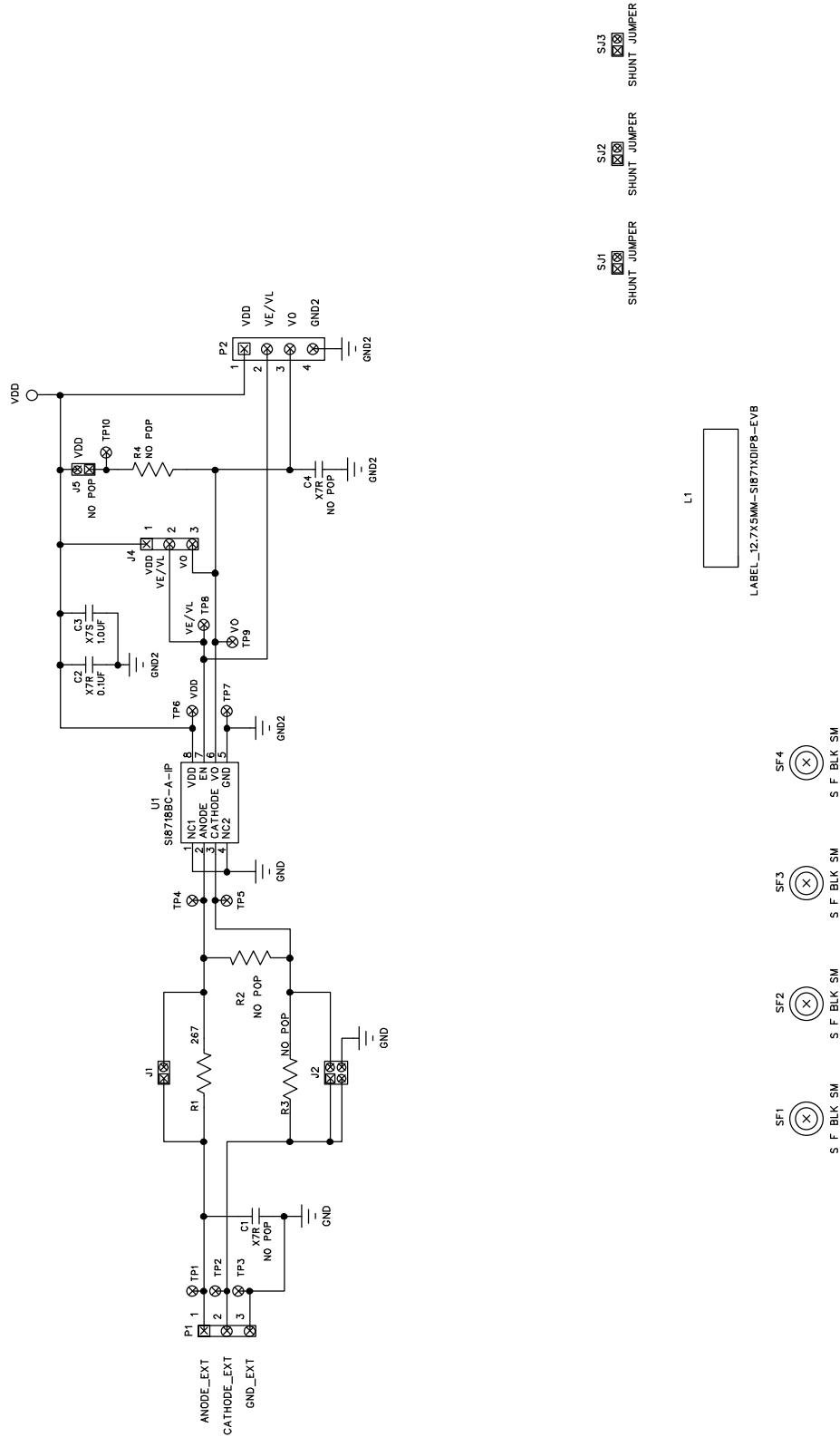


Figure 9. Si871x DIP8 Evaluation Board Schematic

UG507:Si871x-EVB

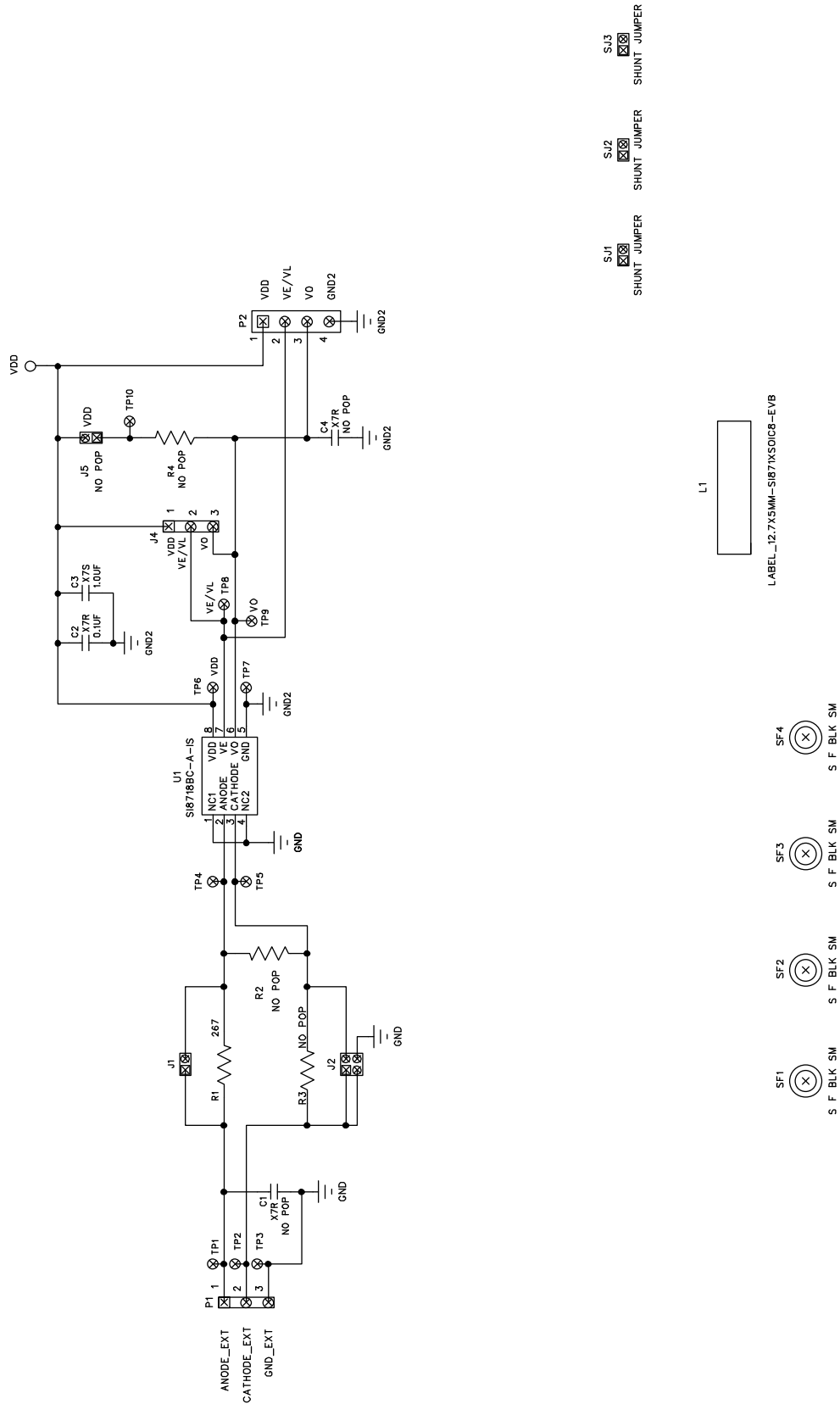
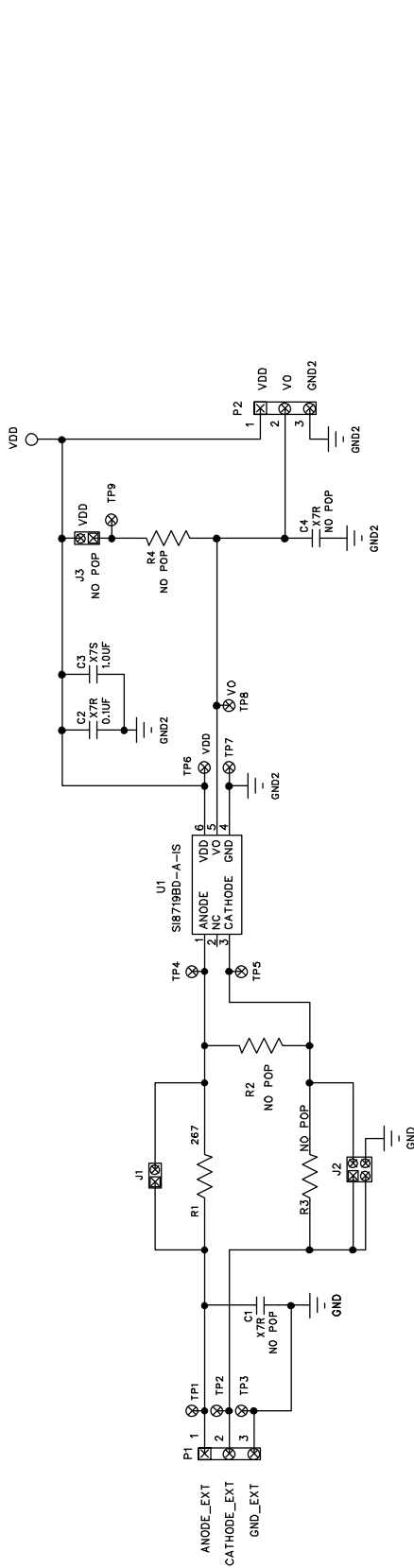


Figure 10. Si871x SOIC8 Evaluation Board Schematic



S/J1 SHUNT JUMPER
 S/J2 SHUNT JUMPER
 S/J3 SHUNT JUMPER

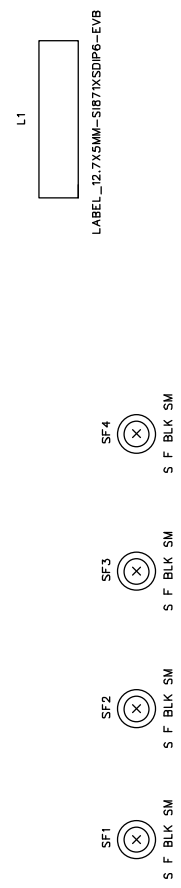


Figure 11. Si871x SDIP6 Evaluation Board Schematic

UG507:Si871x-EVB

6. Bill of Materials

Table 1. Si871x DIP8 Evaluation Board Bill of Materials

| Item | Qty | Ref | Part # | Supplier | Description | Value |
|------|-----|--------|----------------|----------|---|----------------|
| 1 | 1 | C2 | 311-1140-2-ND | Digikey | Cap, 0.1 μ F, X7R, Ceramic, 50 V, 0805, \pm 10%, or equivalent RoHS | 0.1 μ F |
| 2 | 1 | C3 | 445-5205-1-ND | Digikey | Cap, 1.0 μ F, X7S, Ceramic, 805, 100 V, \pm 10%, RoHS | 1.0 μ F |
| 3 | 2 | C1, C4 | CAP 0805 | Digikey | Cap, No Pop, 0805, or equivalent, RoHS | No Pop |
| 4 | 1 | J1 | S1011E-02-ND | Digikey | Stake Header, 1x2, 0.1"CTR, Gold, or equivalent, RoHS | 1x2 Header |
| 5 | 1 | J5 | No Pop | Digikey | Stake Header, 1x2, 0.1"CTR, Gold, or eq, RoHS | No Pop |
| 6 | 2 | J4, P1 | S1011E-03-ND | Digikey | Stake Header, 1x3, 0.1"ctr, or equivalent, RoHS | HDR1x3 |
| 7 | 1 | P2 | S1011E-04-ND | Digikey | Stake Header, 1x4, 0.1"ctrs, or equivalent, RoHS | HDR1x4 |
| 8 | 1 | J2 | S2011E-02-ND | Digikey | Stake Header, 2X2, 0.1"ctr, Gold, or equivalent, RoHS | 2x2 Header |
| 9 | 1 | L1 | M71-5-423 | Brady | Label, Permanent Polyester, Thermal Transfer Print, Brady Material B423 or equivalent 12.70 x 5.08mm, Text 'SI871xDIP8-EVB' | SI871xDIP8-EVB |
| 10 | 1 | R1 | 311-267CRCT-ND | Digikey | Res, 267 Ω , SMT, 0805, 1/8 W, \pm 1%, or equivalent, RoHS | 267 |
| 11 | 3 | R2-4 | No Pop | Digikey | Res, No Pop, SMT, 0805, or equivalent, RoHS | No Pop |
| 12 | 3 | SJ1-3 | S9001-ND | Digikey | Conn, Jumper Shorting, Tin, or equivalent, RoHS. (insert after test) | Shunt Jumper |
| 13 | 1 | U1 | SI8718BC-A-IP | Skyworks | Isolator, 3.75 kV Emulator Input, DIP8-GW, RoHS | SI8718BC-A-IP |
| 14 | 4 | SF1-4 | SJ5744-0-ND | Digikey | Bumpon Protective, Bumper, Silicone, or equivalent, RoHS | S F BLK SM |
| 15 | 10 | TP1-10 | 5002K-ND | Digikey | Test Point, PC Compact, 0.63"D White, or equivalent, RoHS | 5002 |

Table 2. Si871x SOIC8 Evaluation Board Bill of Materials

| Item | Qty | Ref | Part # | Supplier | Description | Value |
|------|-----|--------|----------------|----------|--|-----------------|
| 1 | 1 | C2 | 311-1140-2-ND | Digikey | Cap, 0.1 μ F, X7R, Ceramic, 50 V, 0805, \pm 10%, or equivalent, RoHS | 0.1 μ F |
| 2 | 1 | C3 | 445-5205-1-ND | Digikey | Cap, 1.0 μ F, X7S, Ceramic, 805, 100 V, \pm 10%, RoHS | 1.0 μ F |
| 3 | 2 | C1, C4 | CAP 0805 | Digikey | Cap, No Pop, 0805, or equivalent, RoHS | No Pop |
| 4 | 1 | J1 | S1011E-02-ND | Digikey | Stake Header, 1x2, 0.1"Ctr, Gold, or equivalent, RoHS | 1x2 Header |
| 5 | 2 | J4, P1 | S1011E-03-ND | Digikey | Stake Header, 1x3, 0.1"Ctr, or equivalent, RoHS | HDR1x3 |
| 6 | 1 | P2 | S1011E-04-ND | Digikey | Stake Header, 1x4, 0.1"Ctrs, or equivalent, RoHS | HDR1x4 |
| 7 | 1 | J5 | No Pop | Digikey | Stake Header, 1x2, 0.1"Ctr, Gold, or equivalent, RoHS | No Pop |
| 8 | 1 | J2 | S2011E-02-ND | Digikey | Stake Header, 2x2, 0.1"Ctr, Gold, or equivalent, RoHS | 2x2 Header |
| 9 | 1 | L1 | M71-5-423 | Brady | Label, Permanent Polyester, Thermal Transfer Print, Brady Material B423 or equivalent 12.70 x 5.08mm, Text 'SI871xSOIC8-EVB' | SI871xSOIC8-EVB |
| 10 | 1 | R1 | 311-267CRCT-ND | Digikey | Res, 267 Ω , SMT, 0805, 1/8 W, \pm 1%, or equivalent, RoHS | 267 |
| 11 | 3 | R2-4 | No Pop | Digikey | Res, No Pop, SMT, 0805, or equivalent, RoHS | No Pop |
| 12 | 3 | SJ1-3 | S9001-ND | Digikey | Conn, Jumper Shorting, Tin, or equivalent, RoHS. (insert after test) | Shunt Jumper |
| 13 | 1 | U1 | SI8718BC-A-IS | Skyworks | 3.75 kV LED Emulator Input, Isolator, SOIC-8, RoHS | SI8718BC-A-IS |
| 14 | 4 | SF1-4 | SJ5744-0-ND | Digikey | Bumpon Protective, Bumper, Silicone, or equivalent, RoHS | S F BLK SM |
| 15 | 10 | TP1-10 | 5002K-ND | Digikey | Test Point, PC Compact, 0.63"D white, or equivalent, RoHS | 5002 |

UG507:Si871x-EVB

Table 3. Si871x SDIP6 Evaluation Board Bill of Materials

| Item | Qty | Ref | Part # | Supplier | Description | Value |
|------|-----|--------|----------------|----------|--|-----------------|
| 1 | 1 | C2 | 311-1140-2-ND | Digikey | Cap, 0.1 μ F, X7R, Ceramic, 50 V, 0805, \pm 10%, or equivalent, RoHS | 0.1 μ F |
| 2 | 1 | C3 | 445-5205-1-ND | Digikey | Cap, 1.0 μ F, X7S, Ceramic, 805, 100 V, \pm 10%, RoHS | 1.0 μ F |
| 3 | 2 | C1, C4 | CAP 0805 | Digikey | Cap, No Pop, 0805, or equivalent, RoHS | No Pop |
| 4 | 1 | J1 | S1011E-02-ND | Digikey | Stake Header, 1x2, 0.1" Ctr, Gold, or equivalent, RoHS | 1x2 Header |
| 5 | 2 | P1-2 | S1011E-03-ND | Digikey | Stake Header, 1X3, 0.1" CTR, OR EQ, RoHS | HDR1X3 |
| 6 | 1 | J3 | No Pop | Digikey | Stake Header, 1x2, 0.1" Ctr, Gold, or equivalent, RoHS | No Pop |
| 7 | 1 | J2 | S2011E-02-ND | Digikey | Stake Header, 2x2, 0.1" Ctr, Gold, or equivalent, RoHS | 2x2 Header |
| 8 | 1 | L1 | M71-5-423 | Brady | Label, Permanent Polyester, Thermal Transfer Print, Brady Material B423 or equivalent 12.70 x 5.08mm, Text 'SI871xSDIP6-EVB' | SI871xSDIP6-EVB |
| 9 | 1 | R1 | 311-267CRCT-ND | Digikey | Res, 267 Ω , SMT, 0805, 1/8 W, \pm 1%, or equivalent, RoHS | 267 |
| 10 | 3 | R2-4 | No Pop | Digikey | Res, No Pop, SMT, 0805, or equivalent, RoHS | No Pop |
| 11 | 3 | SJ1-3 | S9001-ND | Digikey | Conn, Jumper Shorting, Tin, or equivalent, RoHS. (insert after test) | Shunt Jumper |
| 12 | 1 | U1 | SI8719BD-A-IS | Skyworks | Isolator, 5 kV emulator Input, SDIP6, RoHS | SI8719BD-A-IS |
| 13 | 4 | SF1-4 | SJ5744-0-ND | Digikey | Bumpon Protective, Bumper, Silicone, or equivalent, RoHS | S F BLK SM |
| 14 | 9 | TP1-9 | 5002K-ND | Digikey | Test Point, PC Compact, 0.63"D White, or equivalent, RoHS | 5002 |

7. Ordering Guide

Table 4. Si871x Evaluation Board Ordering Guide

| Ordering Part Number (OPN) | Description |
|-----------------------------------|--|
| Si871xDIP8-KIT | Si871x Isolator Evaluation Board Kit featuring DIP8 Package |
| Si871xSOIC8-KIT | Si871x Isolator Evaluation Board Kit featuring SOIC8 Package |
| Si871xSDIP6-KIT | Si871x Isolator Evaluation Board Kit featuring SDIP6 Package |



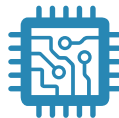
SKYWORKS®

**Connecting Everyone
and Everything,
All the Time**



Portfolio

www.skyworksinc.com



Quality

www.skyworksinc.com/quality



Support & Resources

www.skyworksinc.com/support

Copyright © 2021 Skyworks Solutions, Inc. All Rights Reserved.

Information in this document is provided in connection with Skyworks Solutions, Inc. ("Skyworks") products or services. These materials, including the information contained herein, are provided by Skyworks as a service to its customers and may be used for informational purposes only by the customer. Skyworks assumes no responsibility for errors or omissions in these materials or the information contained herein. Skyworks may change its documentation, products, services, specifications or product descriptions at any time, without notice. Skyworks makes no commitment to update the materials or information and shall have no responsibility whatsoever for conflicts, incompatibilities, or other difficulties arising from any future changes.

No license, whether express, implied, by estoppel or otherwise, is granted to any intellectual property rights by this document. Skyworks assumes no liability for any materials, products or information provided hereunder, including the sale, distribution, reproduction or use of Skyworks products, information or materials, except as may be provided in Skyworks' Terms and Conditions of Sale.

THE MATERIALS, PRODUCTS AND INFORMATION ARE PROVIDED "AS IS" WITHOUT WARRANTY OF ANY KIND, WHETHER EXPRESS, IMPLIED, STATUTORY, OR OTHERWISE, INCLUDING FITNESS FOR A PARTICULAR PURPOSE OR USE, MERCHANTABILITY, PERFORMANCE, QUALITY OR NON-INFRINGEMENT OF ANY INTELLECTUAL PROPERTY RIGHT; ALL SUCH WARRANTIES ARE HEREBY EXPRESSLY DISCLAIMED. SKYWOKS DOES NOT WARRANT THE ACCURACY OR COMPLETENESS OF THE INFORMATION, TEXT, GRAPHICS OR OTHER ITEMS CONTAINED WITHIN THESE MATERIALS. SKYWOKS SHALL NOT BE LIABLE FOR ANY DAMAGES, INCLUDING BUT NOT LIMITED TO ANY SPECIAL, INDIRECT, INCIDENTAL, STATUTORY, OR CONSEQUENTIAL DAMAGES, INCLUDING WITHOUT LIMITATION, LOST REVENUES OR LOST PROFITS THAT MAY RESULT FROM THE USE OF THE MATERIALS OR INFORMATION, WHETHER OR NOT THE RECIPIENT OF MATERIALS HAS BEEN ADVISED OF THE POSSIBILITY OF SUCH DAMAGE.

Skyworks products are not intended for use in medical, lifesaving or life-sustaining applications, or other equipment in which the failure of the Skyworks products could lead to personal injury, death, physical or environmental damage. Skyworks customers using or selling Skyworks products for use in such applications do so at their own risk and agree to fully indemnify Skyworks for any damages resulting from such improper use or sale.

Customers are responsible for their products and applications using Skyworks products, which may deviate from published specifications as a result of design defects, errors, or operation of products outside of published parameters or design specifications. Customers should include design and operating safeguards to minimize these and other risks. Skyworks assumes no liability for applications assistance, customer product design, or damage to any equipment resulting from the use of Skyworks products outside of Skyworks' published specifications or parameters.

Skyworks, the Skyworks symbol, Sky5®, SkyOne®, SkyBlue™, Skyworks Green™, Clockbuilder®, DSPLL®, ISOModem®, ProSLIC®, and SiPHY® are trademarks or registered trademarks of Skyworks Solutions, Inc. or its subsidiaries in the United States and other countries. Third-party brands and names are for identification purposes only and are the property of their respective owners. Additional information, including relevant terms and conditions, posted at www.skyworksinc.com, are incorporated by reference.

Skyworks Solutions, Inc. | Nasdaq: SWKS | sales@skyworksinc.com | www.skyworksinc.com

USA: 781-376-3000 | Asia: 886-2-2735 0399 | Europe: 33 (0)1 43548540 |

Looking for pricing, stock, or lifecycle information?

Click below to explore more details on WIN SOURCE:

-  [View SI871XSDIP6-KIT on WIN SOURCE](#)
-  [Skyworks Solutions Inc. Information](#)

Optimize Your Supply Chain with WIN SOURCE Solutions

-  Global Sourcing Solution
-  Obsolete Management
-  Cost Control Management
-  Shortage Management
-  Alternative Solution
-  Excess Inventory Management