



THE DATASHEET OF SIOCX01-EVB



UG123: SiOCXO1-EVB Evaluation Board User's Guide

The Skyworks SiOCXO1-EVB (kit) is used to help evaluate Skyworks Jitter Attenuator and Network Synchronization products for Stratum 3/3E, IEEE 1588 and G.8262 SyncE applications.

EVB FEATURES:

- Flexible Output Termination
- Power Supply Filtering
- Optional Output Buffer
- Optional OCXO Voltage Control Adjust

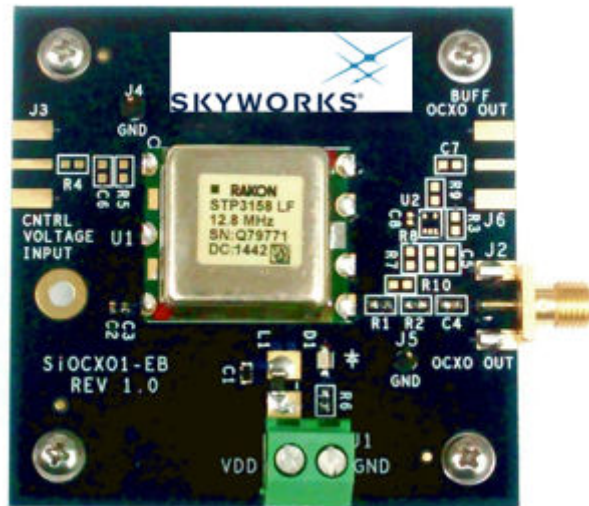


Figure .1. SiOCXO1-EB

1. Quick Start

Refer to [Figure 3.1 Functional Block Diagram on page 4](#), [Figure 3.2 SiOCXO1-EB Shown Populated with an OCXO on page 4](#), and [Figure 4.1 SiOCXO1-EB Configured with Si5348 EVB on page 6](#) to clarify the instructions below.

1. Connect power to J1, and note that start-up current could be on the order of 1 amp. Check the manufacturers warm-up time.
2. Connect SiOCXO1-EB output, J2, to the Si5348 REF clock input using the short SMA cable provided with the EVB kit.

2. Top Layer View of Board

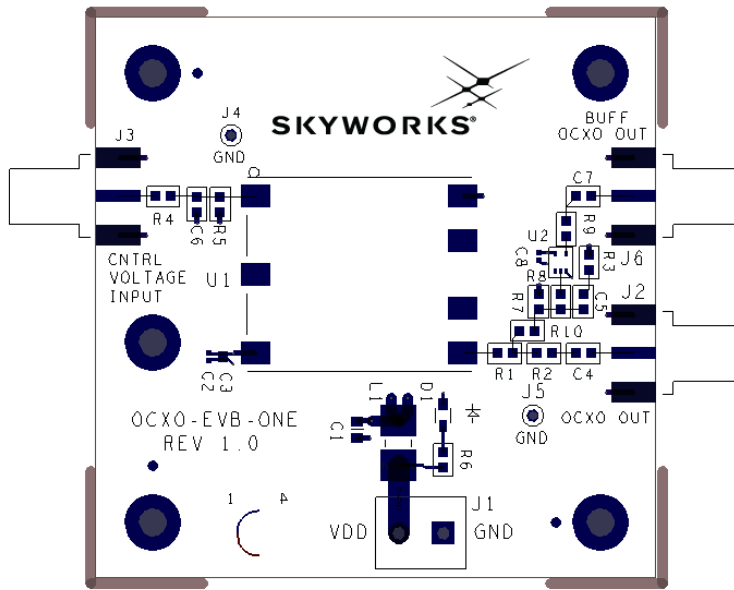


Figure 2.1. Top Layer View of Board

3. Functional Description

The SiOCXO1-EB is used in conjunction with Skyworks precision timing devices to facilitate characterization. The SiOCXO1-EB was designed to maximize output termination configurations as well as optional control voltage terminations. Resistors and capacitors are 0603, which makes it simple to remove and add various values. The SiOCXO1-EB bill of materials and PCB layouts are in Section 7. [Bill of Materials](#) and Section 6. [Schematic](#). The block diagram for the board is provided below:

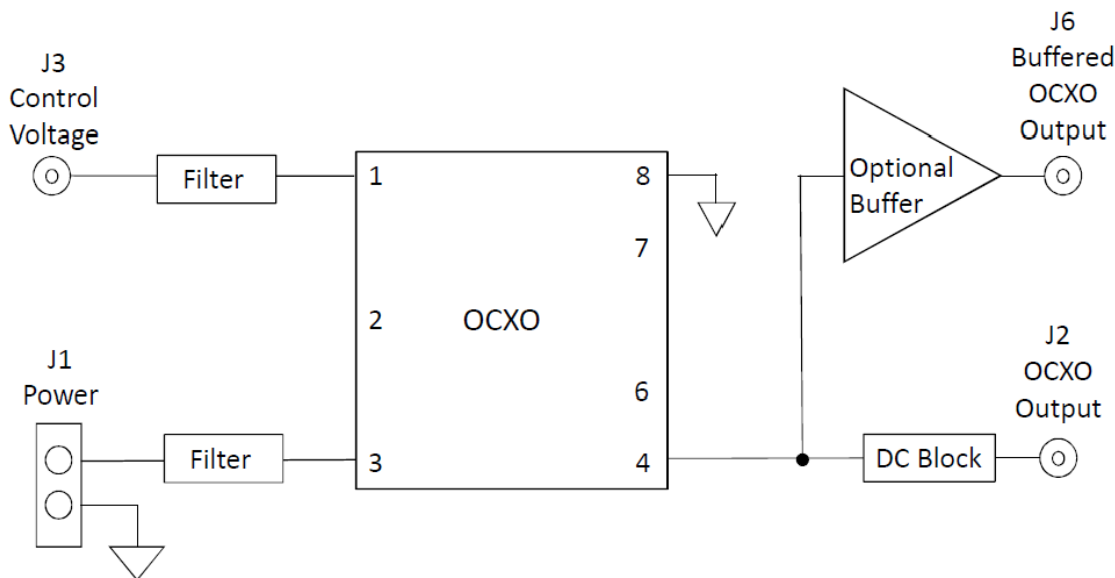


Figure 3.1. Functional Block Diagram

The SiOCXO1-EB is intended to be a general use board for a 7-pin OCXO with 22x25 nominal package size, such as the Rakon P/N STP3158 12.8 MHz pictured below. See Section 6. [Schematic](#) for example measurements carried out using this OCXO.

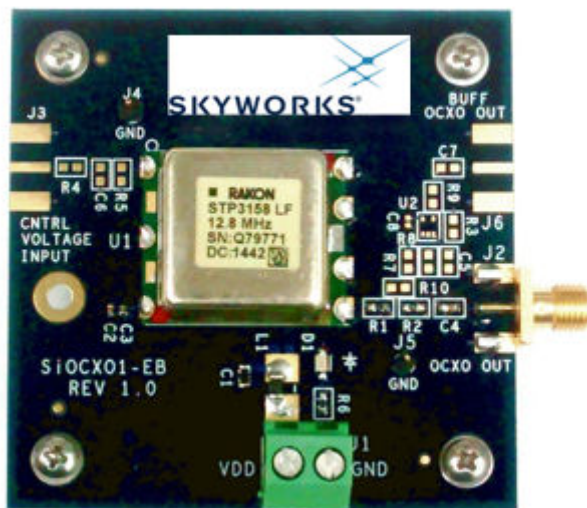


Figure 3.2. SiOCXO1-EB Shown Populated with an OCXO

3.1 Power Supply

The power supply voltage and current requirements are listed in the manufacturers data sheet. A 3.3 V $\pm 5\%$ supply is required. R6 may require modification if other voltages are used. Also, note the OCXO initial current can be on the order of 1A. Power supply filtering has been added to the evaluation board to minimize spurious response.

3.2 Output Termination and Optional Buffer

In most applications simple R C termination is used, as seen with R1 and C4 in [Figure 6.1 SiOCXO1-EB Schematic on page 8](#). This is a resistor to optimize impedance matching and a capacitor to block DC. Modifications can be made as required.

Optionally a buffer can be added to minimize loading on the OCXO's output, such as when driving cables. In this case U2, J6, C7, C8, R8, and R9 must be populated, while R2 can be depopulated.

3.3 Optional OCXO Frequency Adjust

Some OCXO's have an optional control voltage to adjust the output frequency, usually by a small amount such as 1 or 2 ppm. One example would be to discipline the OCXO to reduce the effects of OCXO aging. In this case, J3 and R4 must be populated as a minimum. C6 can be used for filtering or BW frequency limiting. Alternatively, R5 and C6 could be fixed or adjustable resistors to set a DC bias voltage.

4. Configuring the SiOCXO-EB

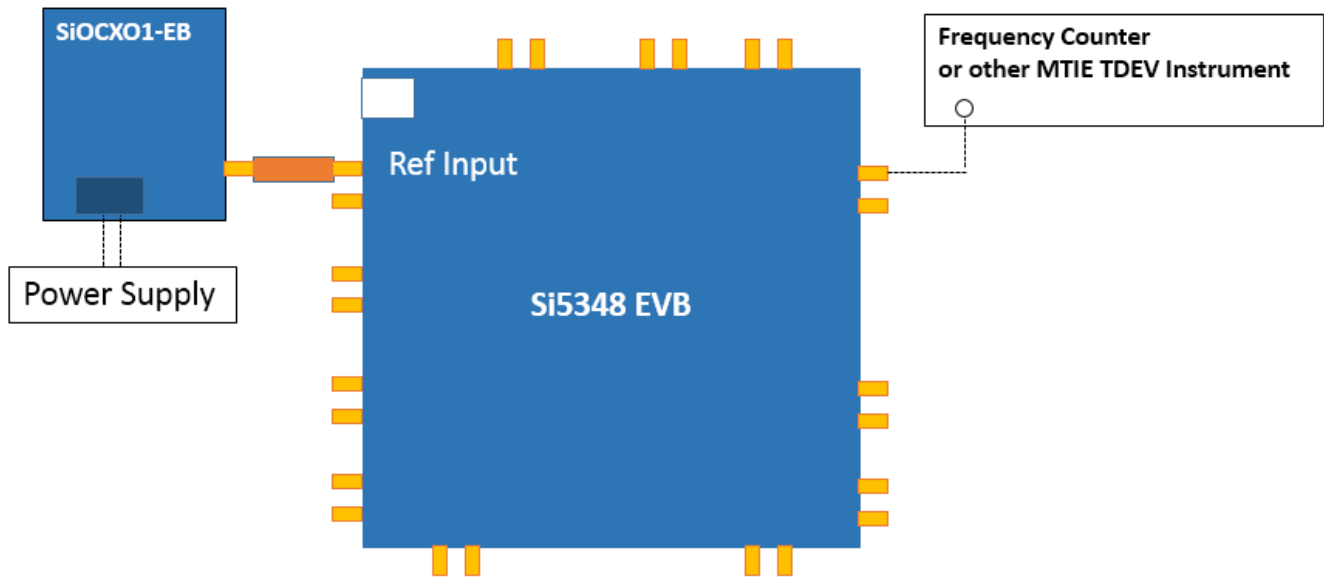


Figure 4.1. SiOCXO1-EVB Configured with Si5348 EVB

The connection between the SiOCXO-EB and Si5348 EVB should be kept as short as possible. It is recommended to use a UPS Power Supply back-up for long term testing.

5. SiOCOXO1-EB Functionality Test

1. Connect power to J1 (3.3 V).
2. Connect SiOCOXO1-EB Output, J2, to an oscilloscope (terminate into 50 Ω).
3. Verify that the red LED is illuminated, the current draw matches closely to the specs, and the output matches the OCXO's data sheet.

5.1 Example Measurement Results Using STP3158LF 12.8 MHz OCXO from Rakon

Table 5.1. Current Specs for Rakon P/N STP3158 12.8 MHz at U1

Example Current Draw	Expected Value (Data Sheet)	Example Measured Value
Warm-up	≤ 0.9 A	0.72 A
Steady State	≤ 0.3 A	0.29 A

Notes on Current Settling:

1. The system (including the LED and OCXO) initially drew 0.72–0.74 A of current from the 3.3 V power supply. At one minute, the current draw slightly decreased by 0.02–0.04A (warm-up time). Around the minute mark the current decreased rapidly to 0.32–0.37A. Then, the system decreased slightly to its consistent steady state current of 0.30 A within 20 minutes.
2. The LED draws around 10 mA, so subtract this from the power supply (system) current to get the current draw of the OCXO alone. These are the values reflected in the table above.

Steady State Output Waveform for Rakon P/N STP3158 12.8 MHz at U1

Verify the output is a 12.8 MHz LVCMOS waveform. For example, measure with a Tektronix TDS 20245, 200 MHz oscilloscope terminated with 50 Ω BNC T connector.

6. Schematic

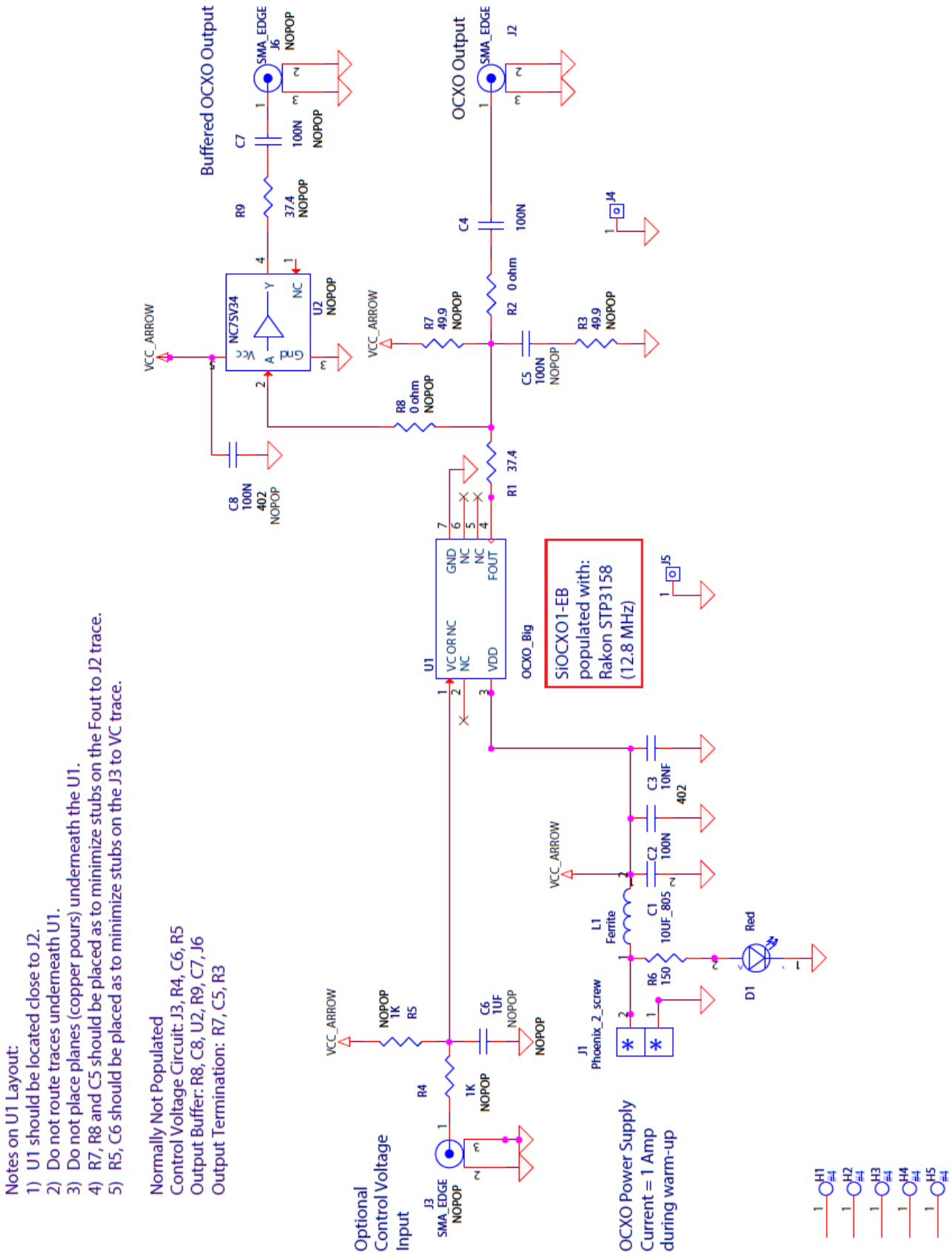


Figure 6.1. SiOCXO1-EB Schematic

7. Bill of Materials

Table 7.1. SiOCXO1-EB Bill of Materials

Item	Quantity	Reference	Part	Manufacturer	Manufacturer Part Number	BOM	Digikey	Footprint	Comment
1	1	C1	10UF_805	Venkel	C0805Y5V6R3106ZN			805	
2	2	C2,C8	100N	Venkel	C0402X7R6R3-104KNE			402	
3	1	C3	10NF	Venkel	LIC0204X6S6R3-103MNE			204	
4	2	C4,C5	100N	Venkel	C0603X7R160-104KNE			603	
7	1	D1	Red	Panasonic	LN1271RAL		P493CT-ND	LED_gull_flip	
8	5	H1,H2,H3,H4,H5	HOLE_NUM4					plated-Num4hole	
9	1	J1	Phoenix_2_screw	Phoenix	MKDSN1.5/2-5.08		277-1247-ND	Phoenix2pinM_p2pitch	
10	1	J2	SMA_EDGE	Johnson	142-0701-801		J502-ND	SMA_EDGE_p062	
12	2	J4,J5	Jmpr_1pin					1pin_p1pitch	
13	1	L1	Ferrite	Steward	HI1612X560R-10			1612	
14	1	R1	37.4	Venkel	CR0603-16W-37R4FT			603	
15	1	R2	0 ohm	Venkel	CR0603-16W-000T			603	
18	1	R6	150	Venkel	CR0603-16W-1500FT			603	
21	1	U1	12.8 MHz	Rakon	STP3158				Alternate = Connor Winfield OH300-50503CF-0 12.8M or AVX OO12.800000M1 4070AT
5	1	C6	1UF	Venkel	C0603X7R6R3-105KNE	NO-POP		603	

Item	Quantity	Reference	Part	Manufacturer	Manufacturer Part Number	BOM	Digikey	Footprint	Comment
6	1	C7	100N	Venkel	C0603X7R160-104KNE	NO-POP		603	
11	2	J3,J6	SMA_EDGE	Johnson	142-0701-801	NO-POP	J502-ND	SMA_EDGE_p062	
16	2	R3,R7	49.9	Venkel	CR0603-16W-49R9FT	NO-POP		603	
17	2	R4,R5	1K	Venkel	CR0603-16W-1001FT	NO-POP		603	
19	2	R8,R10	0 ohm	Venkel	CR0603-16W-000T	NO-POP		603	
20	1	R9	37.4	Venkel	CR0603-16W-37R4FT	NO-POP		603	
22	1	U2	NC7SV34	Fairchild	NC7SV34P5X	NO-POP	NC7SV34P5X-ND	SC-70-5	Alternate = Fairchild NC7SZ126M5X

Note: The OCXO must be populated if it is not.

8. Layout

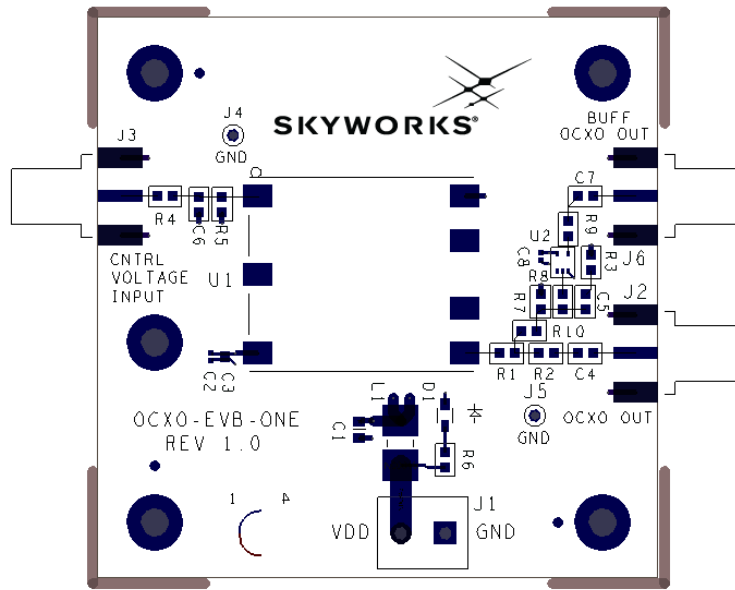


Figure 8.1. Layer 1: Primary Side

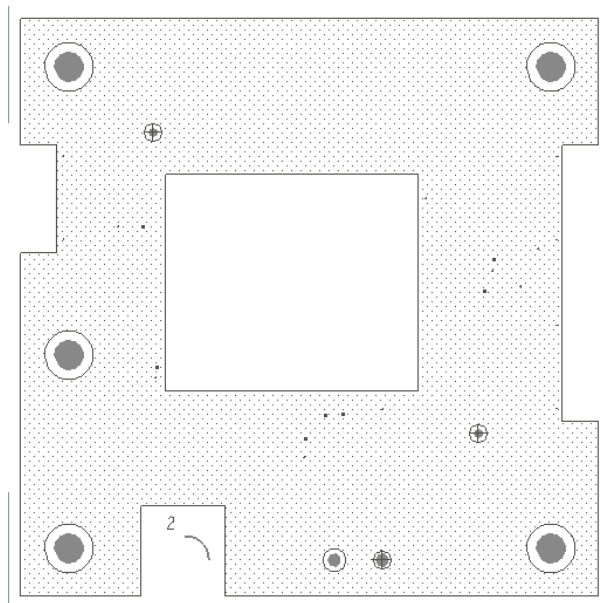


Figure 8.2. Layer 2: Ground

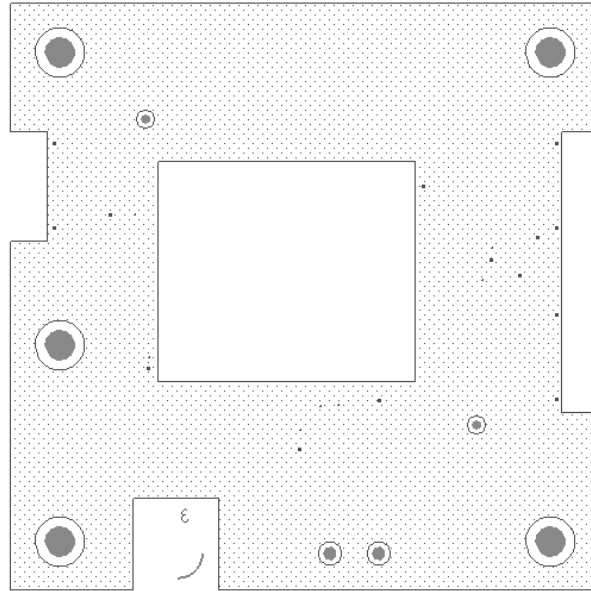


Figure 8.3. Layer 3: Power

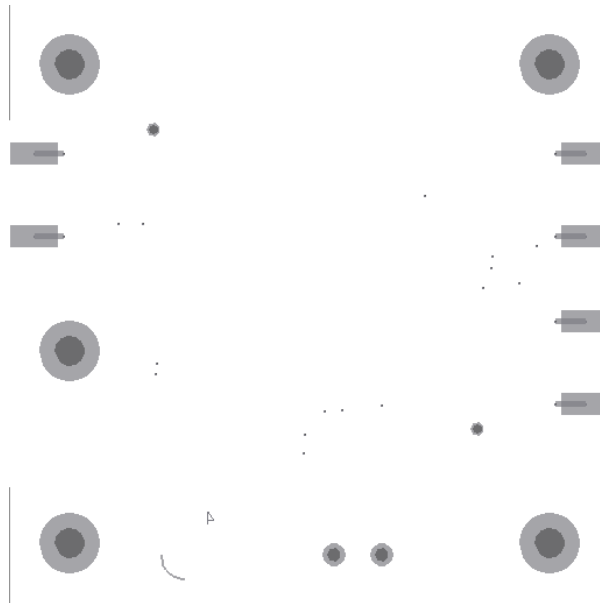


Figure 8.4. Layer 4: Secondary Side



SKYWORKS®

ClockBuilder Pro

Customize Skyworks clock generators, jitter attenuators and network synchronizers with a single tool. With CBPro you can control evaluation boards, access documentation, request a custom part number, export for in-system programming and more!

www.skyworksinc.com/CBPro



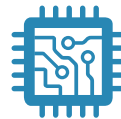
Portfolio

www.skyworksinc.com/ia/timing



SW/HW

www.skyworksinc.com/CBPro



Quality

www.skyworksinc.com/quality



Support & Resources

www.skyworksinc.com/support

Copyright © 2021 Skyworks Solutions, Inc. All Rights Reserved.

Information in this document is provided in connection with Skyworks Solutions, Inc. ("Skyworks") products or services. These materials, including the information contained herein, are provided by Skyworks as a service to its customers and may be used for informational purposes only by the customer. Skyworks assumes no responsibility for errors or omissions in these materials or the information contained herein. Skyworks may change its documentation, products, services, specifications or product descriptions at any time, without notice. Skyworks makes no commitment to update the materials or information and shall have no responsibility whatsoever for conflicts, incompatibilities, or other difficulties arising from any future changes.

No license, whether express, implied, by estoppel or otherwise, is granted to any intellectual property rights by this document. Skyworks assumes no liability for any materials, products or information provided hereunder, including the sale, distribution, reproduction or use of Skyworks products, information or materials, except as may be provided in Skyworks' Terms and Conditions of Sale.

THE MATERIALS, PRODUCTS AND INFORMATION ARE PROVIDED "AS IS" WITHOUT WARRANTY OF ANY KIND, WHETHER EXPRESS, IMPLIED, STATUTORY, OR OTHERWISE, INCLUDING FITNESS FOR A PARTICULAR PURPOSE OR USE, MERCHANTABILITY, PERFORMANCE, QUALITY OR NON-INFRINGEMENT OF ANY INTELLECTUAL PROPERTY RIGHT; ALL SUCH WARRANTIES ARE HEREBY EXPRESSLY DISCLAIMED. SKYWORKS DOES NOT WARRANT THE ACCURACY OR COMPLETENESS OF THE INFORMATION, TEXT, GRAPHICS OR OTHER ITEMS CONTAINED WITHIN THESE MATERIALS. SKYWORKS SHALL NOT BE LIABLE FOR ANY DAMAGES, INCLUDING BUT NOT LIMITED TO ANY SPECIAL, INDIRECT, INCIDENTAL, STATUTORY, OR CONSEQUENTIAL DAMAGES, INCLUDING WITHOUT LIMITATION, LOST REVENUES OR LOST PROFITS THAT MAY RESULT FROM THE USE OF THE MATERIALS OR INFORMATION, WHETHER OR NOT THE RECIPIENT OF MATERIALS HAS BEEN ADVISED OF THE POSSIBILITY OF SUCH DAMAGE.

Skyworks products are not intended for use in medical, lifesaving or life-sustaining applications, or other equipment in which the failure of the Skyworks products could lead to personal injury, death, physical or environmental damage. Skyworks customers using or selling Skyworks products for use in such applications do so at their own risk and agree to fully indemnify Skyworks for any damages resulting from such improper use or sale.

Customers are responsible for their products and applications using Skyworks products, which may deviate from published specifications as a result of design defects, errors, or operation of products outside of published parameters or design specifications. Customers should include design and operating safeguards to minimize these and other risks. Skyworks assumes no liability for applications assistance, customer product design, or damage to any equipment resulting from the use of Skyworks products outside of Skyworks' published specifications or parameters.

Skyworks, the Skyworks symbol, Sky5®, SkyOne®, SkyBlue™, Skyworks Green™, Clockbuilder®, DSPLL®, ISOModem®, ProSLIC®, and SiPHY® are trademarks or registered trademarks of Skyworks Solutions, Inc. or its subsidiaries in the United States and other countries. Third-party brands and names are for identification purposes only and are the property of their respective owners. Additional information, including relevant terms and conditions, posted at www.skyworksinc.com, are incorporated by reference.

Skyworks Solutions, Inc. | Nasdaq: SWKS | sales@skyworksinc.com | www.skyworksinc.com

USA: 781-376-3000 | Asia: 886-2-2735 0399 | Europe: 33 (0)1 43548540 | [in](#) [f](#) [t](#) [v](#)

Looking for pricing, stock, or lifecycle information?

Click below to explore more details on WIN SOURCE:

- ⊖ [View SIOCXO1-EVB on WIN SOURCE](#)
- ⊖ [Skyworks Solutions Inc. Information](#)

Optimize Your Supply Chain with WIN SOURCE Solutions

- ✓ Global Sourcing Solution
- ✓ Obsolete Management
- ✓ Cost Control Management
- ✓ Shortage Management
- ✓ Alternative Solution
- ✓ Excess Inventory Management