



THE DATASHEET OF SI53208-EVB



UG337: Si53208-EVB User's Guide

8-Output PCI-Express Gen1/2/3/4 and SRIS Clock Buffer Evaluation Board

This document describes operation of the Skyworks Solutions Si53208-EVB evaluation board. It's designed to evaluate the Si53208, 8-output PCI-Express Gen1/2/3/4 which is an SRIS Clock Buffer. Selector switches make it easy to select the voltage for both core and IO supplies. Jumpers allow for easy static configuration of the control inputs as well as provide a port for external test equipment access. Similarly, each regulated supply can be bypassed and driven externally for either precise voltage control or for measuring PSRR performance. Convenient probe pads and isolation resistors permit on-board single-ended or differential measurements. Finally, the PCB layout optimizes signal integrity and skew which rounds out the capabilities of this EVB.

KEY FEATURES

- Evaluation of Skyworks Si53208
- External power or USB powered
- DC-coupled differential output clocks
- DC-coupled differential input clock
- Switchable voltage settings
- Easy manual configuration via jumpers
- Easy current measurement

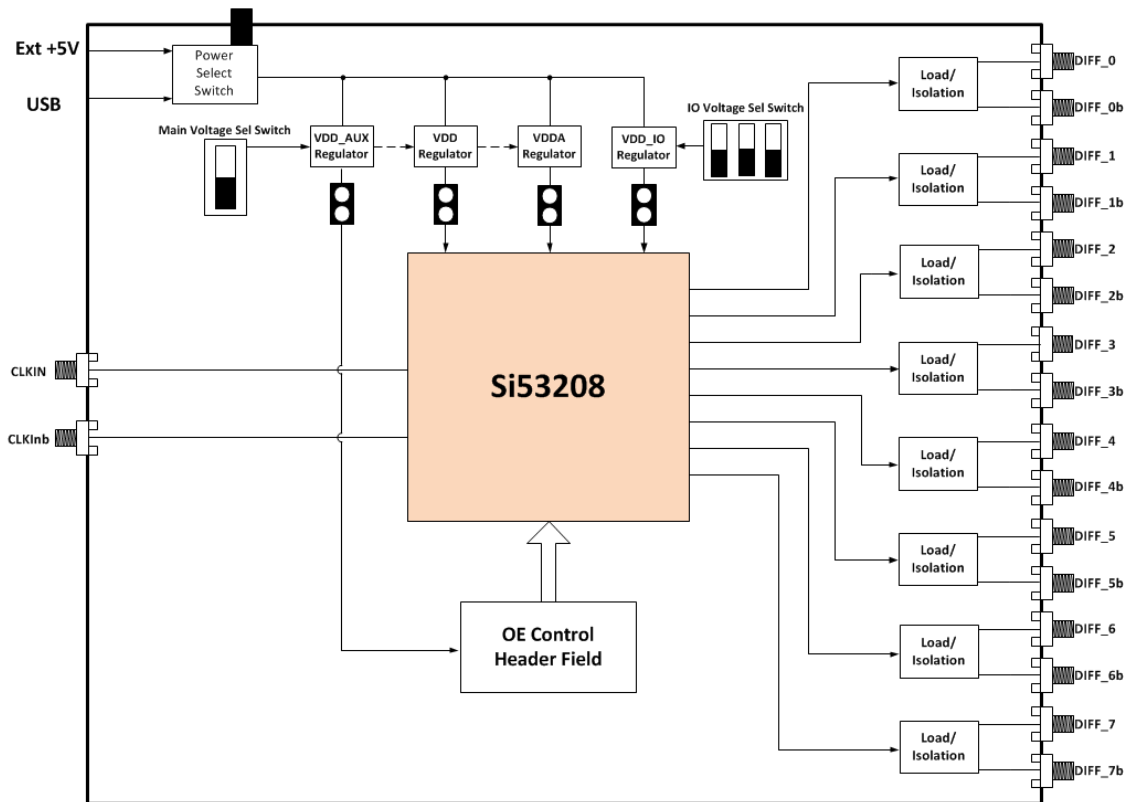


Table of Contents

1. Functional Description	3
2. Power Supply Switch Settings	4
2.1 +5 V Selection	4
2.2 Voltage Selection for Non-Output Supplies (VDD, VDDA, and VDD_AUX)	5
2.3 Voltage Selection for Output Supply (VDD_IO)	5
2.4 Measuring Supply Currents (IDD, IDDA, and IDD _{IO})	5
3. Control Signal Jumper Settings	6
4. Output Clock Terminations	7
4.1 Differential Outputs (DIFF_0:7)	7
5. External Input Clock	8
6. LEDs	9
7. Quick Start – Board Configuration Check List	10
8. Board Schematic, BOM, and Layout	.11
9. Appendix: Typical Waveplots	12
9.1 Differential Clock (DIFF_0) Output (Differential Waveform)	.12
9.2 Differential Clock (DIFF_0) Crossing Voltage (100MHz) (Single-ended waveform)	.13
9.3 Differential clock (DIFF_0) Crossing Voltage (200MHz) (Single-ended waveform)	.13

1. Functional Description

The Si53208-EVB is an evaluation board designed to support the Si53208 device.

Control of device pins such as OE is done via on-board jumpers through the jumper header JP6. The DUT supply voltages (e.g., VDD, VDDA, VDD_AUX, and VDD_IO) can be set via on-board switches as shown in Section 2. Each supply can be sourced either by an on-board regulator for nominal values or via an external supply to test the device over a range of voltages (e.g., min/max supply testing).

2.2 Voltage Selection for Non-Output Supplies (VDD, VDDA, and VDD_AUX)

The nominal voltage setting for all but VDD_IO is controlled by the VDD Voltage Level Control switch SW1 as shown in [Figure 2.1 2.1. Location of EVB Power and Voltage Switches and Jumpers on page 4](#). Positioning the switch in the open position selects 1.5 V for all these supplies and positioning the switch in the closed position selects 1.8 V. Jumpers JP1-JP3 should be installed if the on-board regulator is desired. Alternatively, an external voltage source can be connected to an individual supply by removing the corresponding jumper and connecting the (+) voltage of the supply to pin 2 of the jumper and (-) voltage to GND (TP13). Note that pin 1 of the jumpers is identified by the highlighted square.

2.3 Voltage Selection for Output Supply (VDD_IO)

The nominal voltage setting for VDD_IO is controlled by the VDD_IO Voltage Level Control switch SW2 as shown in [Figure 2.1](#). The table below shows the switch settings for nominal voltages: +1.8 V, +1.5 V, +1.2 V, and +1.0 V. Please note that only one switch should be in the “closed” position at any given time. Multiple closed switches at the same time could lead to part damage. Jumper JP4 should be installed if the on-board regulator is desired.

Alternatively, an external voltage source can be connected to this individual supply by removing JP4 and connecting the (+) voltage of the supply to pin 2 of the jumper and (-) voltage to GND (TP13). Note that this is an excellent way to test the PSRR performance of the part, as the dc supply can be modulated with a sinusoidal (noise) waveform and inserted on JP4, pin 2.

Table 2.1. Switch 2 Settings for Output Voltage Supply

SW2-1	SW2-2	SW2-3	VDD_IO
OPEN	OPEN	OPEN	1.0V
CLOSED	OPEN	OPEN	1.2V
OPEN	CLOSED	OPEN	1.5V
OPEN	OPEN	CLOSED	1.8V

2.4 Measuring Supply Currents (IDD, IDD_A, and IDD_{IO})

Measuring the current on any supply rail can be performed by measuring the voltage between test points VDD_X and VDD_X_PIN. There is a precision (± 100 ppm) 1 ohm resistor between these two test points. Therefore, whatever voltage is measured maps to the equivalent current measurement (e.g., 30 mV -> 30 mA)

3. Control Signal Jumper Settings

Header JP6 is an 8x3, 100 mil header stake that provides access to the eight OE pins allowing easy enable or disable of individual outputs. Table below defines how to configure each input.

Table 3.1. Control Input Jumper Configuration Settings

Control Input Pin	LO	NONE	HI
OE_0b	Enable	Enable	Disable
OE_1b	Enable	Enable	Disable
OE_2b	Enable	Enable	Disable
OE_3b	Enable	Enable	Disable
OE_4b	Enable	Enable	Disable
OE_5b	Enable	Enable	Disable
OE_6b	Enable	Enable	Disable
OE_7b	Enable	Enable	Disable

Enable/disable times can be measured by connecting an external pulse generator to the middle pin of the header and GND to the “LO” pin and sending this signal to trigger a scope. By measuring the time differential between the rising (falling) edge of the trigger and last (first) output clock edge of the corresponding output, the user can determine the disable (enable) time for that output.

4. Output Clock Terminations

4.1 Differential Outputs (DIFF_0:7)

The figure below shows the output termination circuit for each of the 8 differential buffer outputs: Diff_0:7. To simplify on-board probing of the clock, exposed copper pads have been included and are spaced to accommodate a differential probe (e.g., Ag1132A). For example, the output of DIFF_1 can be measured using PCB13 for the signal with PCB6 for GND. The stock output clock termination is optimized for taking phase noise measurements. Note that most phase noise analyzers have a single-ended input, so a balun should be added to convert the differential output to single-ended.

To analyze signal integrity, instead of phase noise, change resistors R37:R44 and R74:R81 from 0 to 953 ohms. They are all 402 size. Also, add 2pF capacitors to C42:C49 and C65:C72, which are all 402 size. After implementing this change, remember that, if you are observing the outputs via the SMA connectors to a 50 ohm input scope, the scale should be set to 1:20.

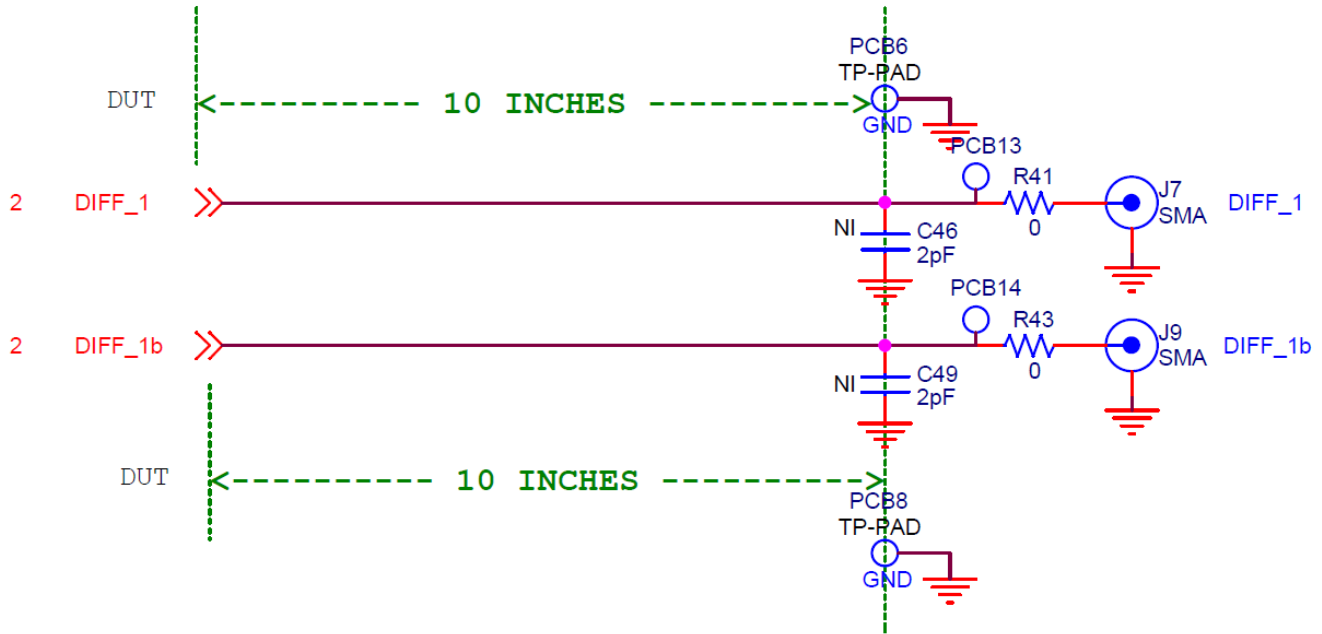


Figure 4.1. Differential Output Clock Termination

5. External Input Clock

The Si53208-EVB supports one HCSL external reference input (CLKIN). No additional termination is necessary for this input. For more details regarding the input clock's requirements, see the Si532xx datasheet.

6. LEDs

The Si53208-EVB has 2 status LEDs as shown in the table below. The board silkscreen identifies each LED.

Table 6.1. Status LEDs

LED name	Color	Location	Description
+5V_EXT	Green	D1	External +5 V source is present (independent of +5V_SELECT (SW3) switch setting)
+5V_USB	Blue	D3	USB port is present (independent of +5V_SELECT (SW3) switch setting)

7. Quick Start – Board Configuration Check List

1. Start with EVB powered down/off.
2. Set the voltage supply DIP switches (Described in Section 2.2 Section 2.3) according to the following:
 - Switch SW1 controls the voltage settings (either 1.5 V or 1.8 V) for the following supplies:
 - VDD
 - VDDA
 - VDD_AUX
 - Switch SW2 controls the voltage setting (either 1.0 V, 1.2 V, 1.5 V, or 1.8 V) for VDD_IO (voltage supply for output DIFF_0:7).
 - Ensure that jumpers JP1:4 are installed.
3. Connect external clock input.
4. Determine the type of measurement.
 - For phase noise measurements, no changes are required. Note that most phase noise analyzers have a single ended input, so a balun should be added to convert the differential output to single ended.
 - For signal integrity measurements, change resistors R37:R44 and R74:R81 from 0 to 953 ohms. They are all 402 size. Also, add 2pF capacitors to C42:C49 and C65:C72. These are also all 402 size. After implementing this change, remember that if you are observing the outputs via the SMA connectors to a 50 ohm input scope, the scale should be set to 1:20.
5. Configure the jumpers at JP5 and JP6 according to how you plan to test the part.
 - Outputs 0:7 enabled/disabled
6. Set +5 V Select switch (SW3) based on how you will power the EVB, either via USB or via external +5 V supply.
7. Connect power, either via USB port or external +5 V power supply as chosen in previous step.

8. Board Schematic, BOM, and Layout

The schematic, BOM, and layout files for the Si53208-EVB can be found at: [Si53208-evaluation-kit](#).

9. Appendix: Typical Waveplots

The plots displayed in this section are provided as an example when measuring signals on this evaluation board with a good lab setup. These plots were taken using a Keysight Ag DSA90804A 8 GHz bandwidth oscilloscope. A Keysight 5 GHz Ag 1132A differential probe was used to measure the differential waveforms, and a Keysight N2796A 2 GHz high-impedance FET probe was used to measure the single-ended waveforms. The signals were measured on the test points located next to each output SMA. The outputs were set up in the stock configuration of no load capacitor and 0 ohm resistors.

9.1 Differential Clock (DIFF_0) Output (Differential Waveform)



9.2 Differential Clock (DIFF_0) Crossing Voltage (100MHz) (Single-ended waveform)



9.3 Differential clock (DIFF_0) Crossing Voltage (200MHz) (Single-ended waveform)





SKYWORKS®

ClockBuilder Pro

Customize Skyworks clock generators, jitter attenuators and network synchronizers with a single tool. With CBPro you can control evaluation boards, access documentation, request a custom part number, export for in-system programming and more!

www.skyworksinc.com/CBPro



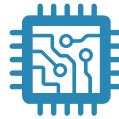
Portfolio

www.skyworksinc.com/ia/timing



SW/HW

www.skyworksinc.com/CBPro



Quality

www.skyworksinc.com/quality



Support & Resources

www.skyworksinc.com/support

Copyright © 2021 Skyworks Solutions, Inc. All Rights Reserved.

Information in this document is provided in connection with Skyworks Solutions, Inc. ("Skyworks") products or services. These materials, including the information contained herein, are provided by Skyworks as a service to its customers and may be used for informational purposes only by the customer. Skyworks assumes no responsibility for errors or omissions in these materials or the information contained herein. Skyworks may change its documentation, products, services, specifications or product descriptions at any time, without notice. Skyworks makes no commitment to update the materials or information and shall have no responsibility whatsoever for conflicts, incompatibilities, or other difficulties arising from any future changes.

No license, whether express, implied, by estoppel or otherwise, is granted to any intellectual property rights by this document. Skyworks assumes no liability for any materials, products or information provided hereunder, including the sale, distribution, reproduction or use of Skyworks products, information or materials, except as may be provided in Skyworks' Terms and Conditions of Sale.

THE MATERIALS, PRODUCTS AND INFORMATION ARE PROVIDED "AS IS" WITHOUT WARRANTY OF ANY KIND, WHETHER EXPRESS, IMPLIED, STATUTORY, OR OTHERWISE, INCLUDING FITNESS FOR A PARTICULAR PURPOSE OR USE, MERCHANTABILITY, PERFORMANCE, QUALITY OR NON-INFRINGEMENT OF ANY INTELLECTUAL PROPERTY RIGHT; ALL SUCH WARRANTIES ARE HEREBY EXPRESSLY DISCLAIMED. SKYWORKS DOES NOT WARRANT THE ACCURACY OR COMPLETENESS OF THE INFORMATION, TEXT, GRAPHICS OR OTHER ITEMS CONTAINED WITHIN THESE MATERIALS. SKYWORKS SHALL NOT BE LIABLE FOR ANY DAMAGES, INCLUDING BUT NOT LIMITED TO ANY SPECIAL, INDIRECT, INCIDENTAL, STATUTORY, OR CONSEQUENTIAL DAMAGES, INCLUDING WITHOUT LIMITATION, LOST REVENUES OR LOST PROFITS THAT MAY RESULT FROM THE USE OF THE MATERIALS OR INFORMATION, WHETHER OR NOT THE RECIPIENT OF MATERIALS HAS BEEN ADVISED OF THE POSSIBILITY OF SUCH DAMAGE.

Skyworks products are not intended for use in medical, lifesaving or life-sustaining applications, or other equipment in which the failure of the Skyworks products could lead to personal injury, death, physical or environmental damage. Skyworks customers using or selling Skyworks products for use in such applications do so at their own risk and agree to fully indemnify Skyworks for any damages resulting from such improper use or sale.

Customers are responsible for their products and applications using Skyworks products, which may deviate from published specifications as a result of design defects, errors, or operation of products outside of published parameters or design specifications. Customers should include design and operating safeguards to minimize these and other risks. Skyworks assumes no liability for applications assistance, customer product design, or damage to any equipment resulting from the use of Skyworks products outside of Skyworks' published specifications or parameters.



Skyworks, the Skyworks symbol, Sky5®, SkyOne®, SkyBlue™, Skyworks Green™, Clockbuilder®, DSPLL®, ISOModem®, ProSLIC®, and SiPHY® are trademarks or registered trademarks of Skyworks Solutions, Inc. or its subsidiaries in the United States and other countries. Third-party brands and names are for identification purposes only and are the property of their respective owners. Additional information, including relevant terms and conditions, posted at www.skyworksinc.com, are incorporated by reference.

Skyworks Solutions, Inc. | Nasdaq: SWKS | sales@skyworksinc.com | www.skyworksinc.com

USA: 781-376-3000 | Asia: 886-2-2735 0399 | Europe: 33 (0)1 43548540 | [in](#) [f](#) [t](#) [v](#)

Looking for pricing, stock, or lifecycle information?

Click below to explore more details on WIN SOURCE:

-  [View S153208-EVB on WIN SOURCE](#)
-  [Skyworks Solutions Inc. Information](#)

Optimize Your Supply Chain with WIN SOURCE Solutions

-  Global Sourcing Solution
-  Obsolete Management
-  Cost Control Management
-  Shortage Management
-  Alternative Solution
-  Excess Inventory Management