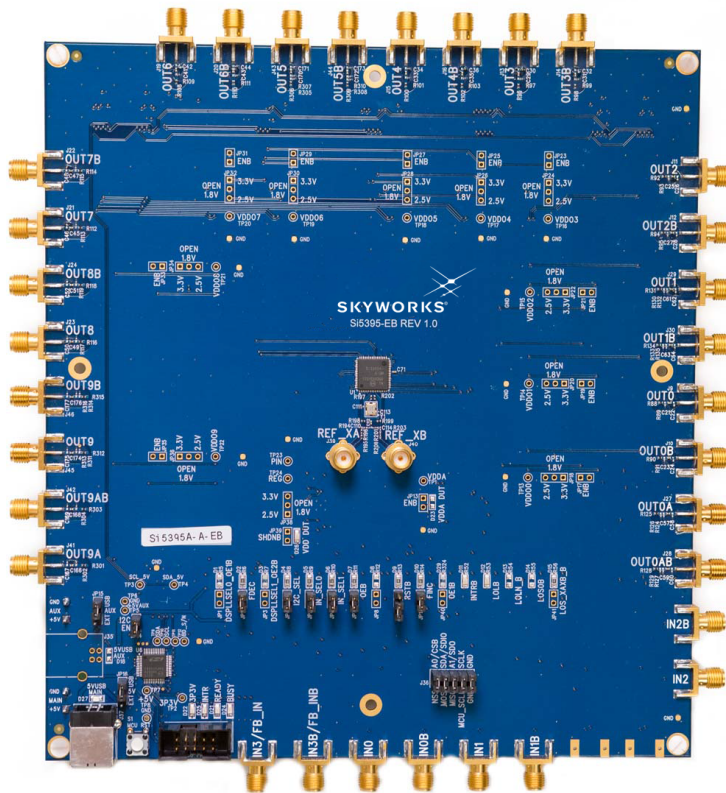


UG335: Si5395 Evaluation Board User's Guide

The Si5395-EVB is used for evaluating the Si5395 Any-Frequency, Any-Output, Jitter-Attenuating Clock Multiplier. There are four different EVBs for the Si5395. There is a Grade A and Grade P board which both require an external reference. There is also a Grade J and Grade E which do not require a reference because this is internal to the chip. This user guide is intended for all versions of the Si5395 EVBs. The term Si5395-EVB is inclusive of all four different evaluation boards. The device grade and revision is distinguished by a white 1 inch x 0.187 inch label installed in the lower left hand corner of the board. In the example below, the label "SI5395A-A-EB" indicates the evaluation board has been assembled with an Si5395 device, Grade A, Revision A, installed. (For ordering purposes only, the terms "EB" and "EVB" refer to the board and the kit respectively. For the purpose of this document, the terms are synonymous in context.)



KEY FEATURES

- Si5395A-A-EVB for evaluating external reference versions Si5395A/B/C/D
- Si5395J-A-EVB for evaluating internal reference versions Si5395J/K/L/M
- Si5395P-A-EVB for evaluating external reference (precision grade)
- Si5395E-A-EVB for evaluating internal reference (precision grade)
- Powered from USB port or external power supply
- Onboard 48 MHz XTAL or Reference SMA Inputs allow holdover mode of operation on the Si5395
- ClockBuilder Pro® (CBPro) GUI programmable VDD supply allows device to operate from 3.3V, 2.5 V, or 1.8 V
- CBPro GUI programmable VDDO supplies allow each of the outputs to have its own power supply voltage selectable from 3.3V, 2.5V, or 1.8 V
- CBPro GUI-controlled voltage, current, and power measurements of VDD and all VDDO supplies
- Status LEDs for power supplies and control/status signals of Si5395
- SMA connectors for input clocks, output clocks, and optional external timing reference clock to be used on external reference grades only

Table of Contents

| | |
|----------------------------------------------------------------------------------------------|------------|
| 1. Functional Block Diagram | 3 |
| 2. Si5395 EVB Support Documentation and ClockBuilderPro Software. | 4 |
| 3. Quick Start | 5 |
| 4. Jumper Defaults | 6 |
| 5. Status LEDs. | 7 |
| 6. External Reference Input (XA/XB). | 8 |
| 7. Clock Input Circuits (INx/INxB). | 9 |
| 8. Clock Output Circuits (OUTx/OUTxB) | 10 |
| 9. Installing ClockBuilderPro Desktop Software | 11 |
| 10. Using the Si5395 EVB. | 12 |
| 10.1 Connecting the EVB to Your Host PC | .12 |
| 10.2 Additional Power Supplies | .13 |
| 10.3 Overview of ClockBuilder Pro Applications | .13 |
| 10.4 Common ClockBuilder Pro Workflow Scenarios | .15 |
| 10.5 Workflow Scenario 1: Testing a Skyworks Default Configuration | .15 |
| 10.5.1 Verify Free-Run Mode Operation | .17 |
| 10.5.2 Verify Locked Mode Operation | .19 |
| 10.6 Workflow Scenario 2: Modifying the Default Skyworks-Created Device Configuration | .20 |
| 10.7 Workflow Scenario 3: Testing a User-Created Device Configuration | .22 |
| 10.8 Exporting the Register Map File for Device Programming by a Host Processor | .24 |
| 11. Writing a New Frequency Plan or Device Configuration to Non-Volatile Memory (OTP) | 25 |
| 12. Serial Device Communications | 26 |
| 12.1 Onboard SPI Support | .26 |
| 12.2 External I ² C Support | .26 |
| 13. Si5395 EVB Schematic, Layout, and Bill of Materials (BOM) | 27 |

1. Functional Block Diagram

Below is a functional block diagram of the Si5395 EVB. Keep in mind that the Grade J and Grade E do not use an external XTAL or reference and do not use the XA/XB pins. This evaluation board can be connected to a PC via the main USB connector for programming, control, and monitoring. See 3. [Quick Start](#) or 10.3 [Overview of ClockBuilder Pro Applications](#) for more information.

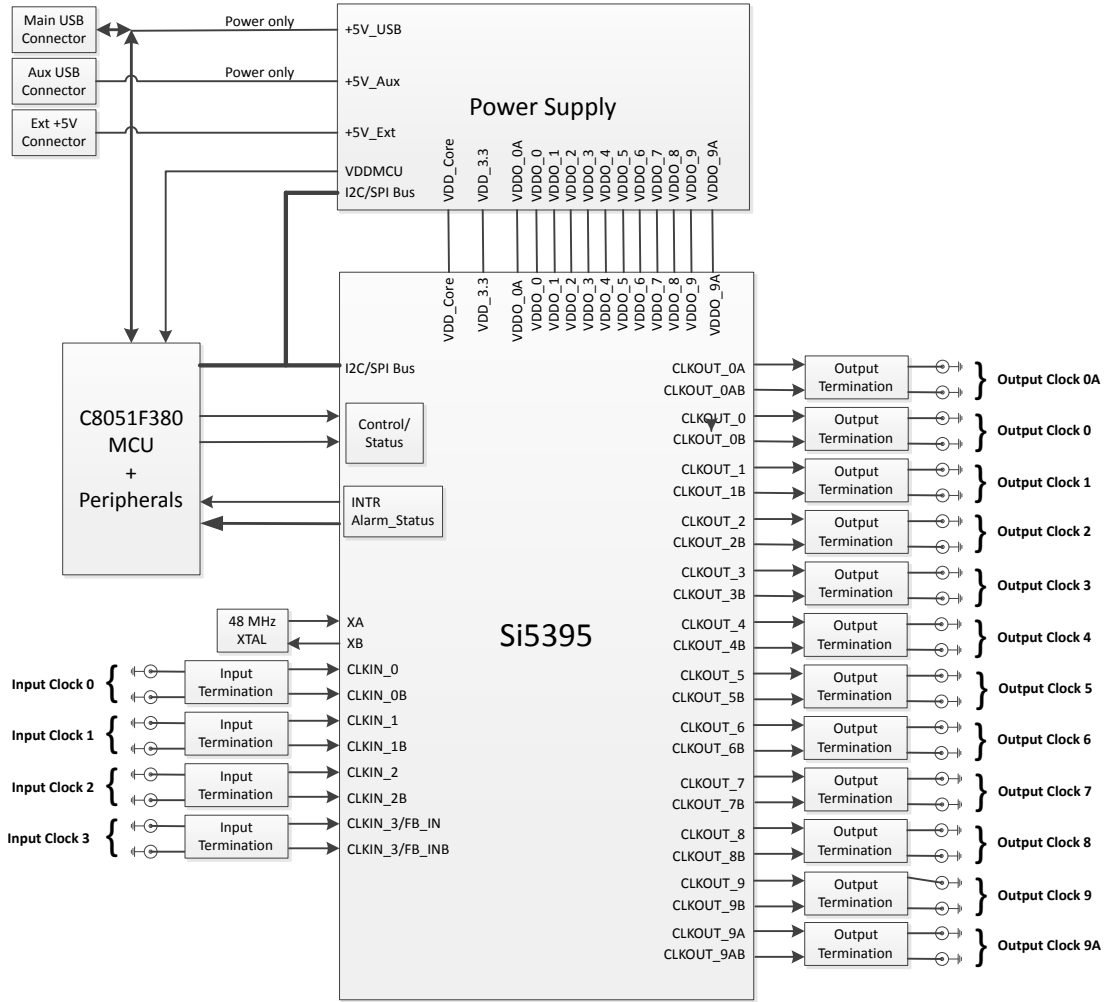


Figure 1.1. Si5395 EB Functional Block Diagram

2. Si5395 EVB Support Documentation and ClockBuilderPro Software

All Si5395 EVB schematics, BOMs, User's Guides, and software can be found online <https://www.skyworksinc.com/-/media/Skyworks/SL/documents/public/data-sheets/si5395-94-92-a-datasheet.pdf>

3. Quick Start

1. Install the ClockBuilder Pro desktop software from <https://www.skyworksinc.com/en/application-pages/clockbuilder-pro-software>.
2. Connect a USB cable from Si5395 EVB to the PC where the software was installed.
3. Confirm jumpers are installed as shown in [Table 4.1 Si5395 EVB Jumper Defaults¹](#) on page 6.
4. Launch the ClockBuilder Pro Software.
5. You can use ClockBuilder Pro to create, download, and run a frequency plan on the Si5395 EVB.
6. Find Si5395 datasheet: <https://www.skyworksinc.com/-/media/Skyworks/SL/documents/public/data-sheets/si5395-94-92-a-data-sheet.pdf>

4. Jumper Defaults

Table 4.1. Si5395 EVB Jumper Defaults¹

| Location | Type | I = Installed 0 = Open | Location | Type | I = Installed 0 = Open |
|----------|-------|---------------------------|----------|-----------|---------------------------|
| JP1 | 2-pin | O | JP23 | 2-pin | O |
| JP2 | 2-pin | I | JP24 | 2-pin | O |
| JP3 | 2-pin | O | JP25 | 2-pin | O |
| JP4 | 2-pin | I | JP26 | 2-pin | O |
| JP5 | 2-pin | I | JP27 | 2-pin | O |
| JP6 | 2-pin | I | JP28 | 2-pin | O |
| JP7 | 2-pin | I | JP29 | 2-pin | O |
| JP8 | 2-pin | O | JP30 | 2-pin | O |
| JP9 | 2-pin | O | JP31 | 2-pin | O |
| JP10 | 2-pin | I | JP32 | 2-pin | O |
| JP13 | 2-pin | O | JP33 | 2-pin | O |
| JP14 | 2-pin | I | JP34 | 2-pin | O |
| JP15 | 3-pin | 1 to 2 | JP35 | 2-pin | O |
| JP16 | 3-pin | 1 to 2 | JP36 | 2-pin | O |
| JP17 | 2-pin | O | JP38 | 3-pin | All Open |
| JP18 | 2-pin | O | JP39 | 2-pin | O |
| JP19 | 2-pin | O | JP40 | 2-pin | O |
| JP20 | 2-pin | O | JP41 | 2-pin | O |
| JP21 | 2-pin | O | J36 | 5 x 2 Hdr | All 5 installed |
| JP22 | 2-pin | O | | | |

Note:
1. Refer to the Si5395 EVB schematics for the functionality associated with each jumper.

5. Status LEDs

| Location | Silkscreen | Color | Status Function Indication |
|----------|------------|-------|-----------------------------|
| D27 | 5VUSBMAIN | Blue | Main USB +5 V present |
| D22 | 3P3V | Blue | DUT +3.3 V is present |
| D26 | VDD DUT | Blue | DUT VDD voltage present |
| D25 | INTR | Red | MCU INTR (Interrupt) active |
| D21 | READY | Green | MCU Ready |
| D24 | BUSY | Green | MCU Busy |

D27, D22, and D26 are illuminated when USB +5 V, Si5395 +3.3 V, and Si5395 VDD supply voltages, respectively, are present. D25, D21, and D24 are status LEDs showing on-board MCU activity.

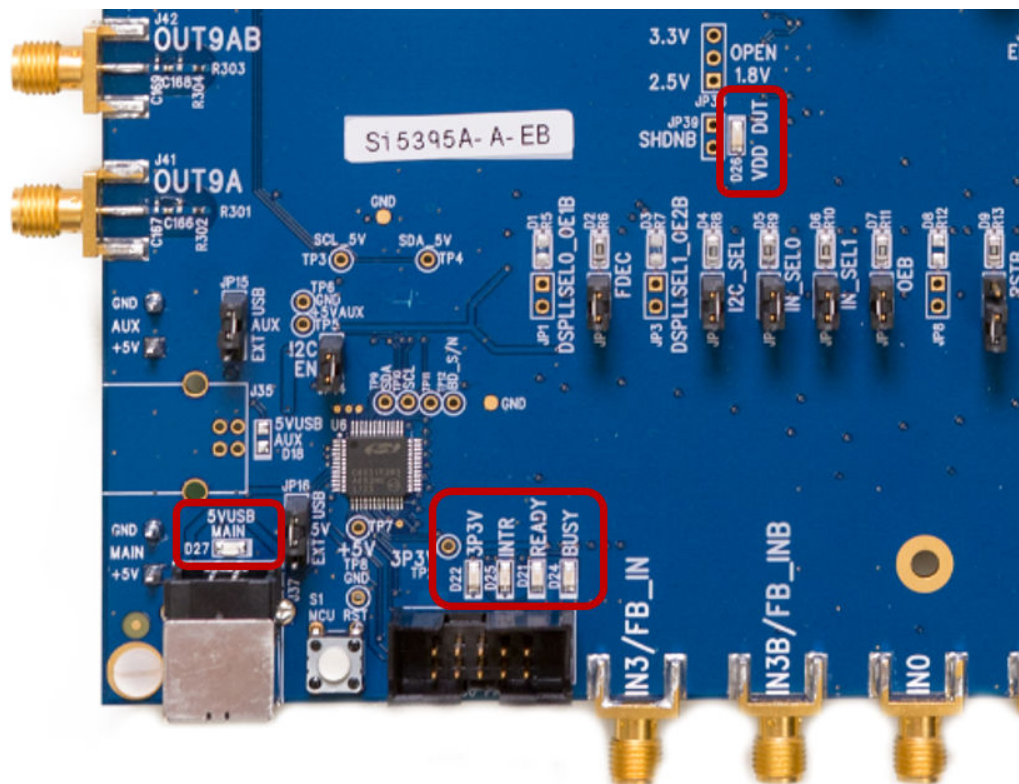


Figure 5.1. Status LEDs

7. Clock Input Circuits (INx/INxB)

The Si5395 EVB has eight SMA connectors (IN0, IN0B – IN3, IN3B) for receiving external clock signals. All input clocks are terminated as shown below. Note that input clocks are ac-coupled and 50 Ω terminated. This represents four differential input clock pairs. Single-ended clocks can be used by appropriately driving one side of the differential pair with a single-ended clock. For details on how to configure inputs as single-ended, refer to the Si5395 data sheet.

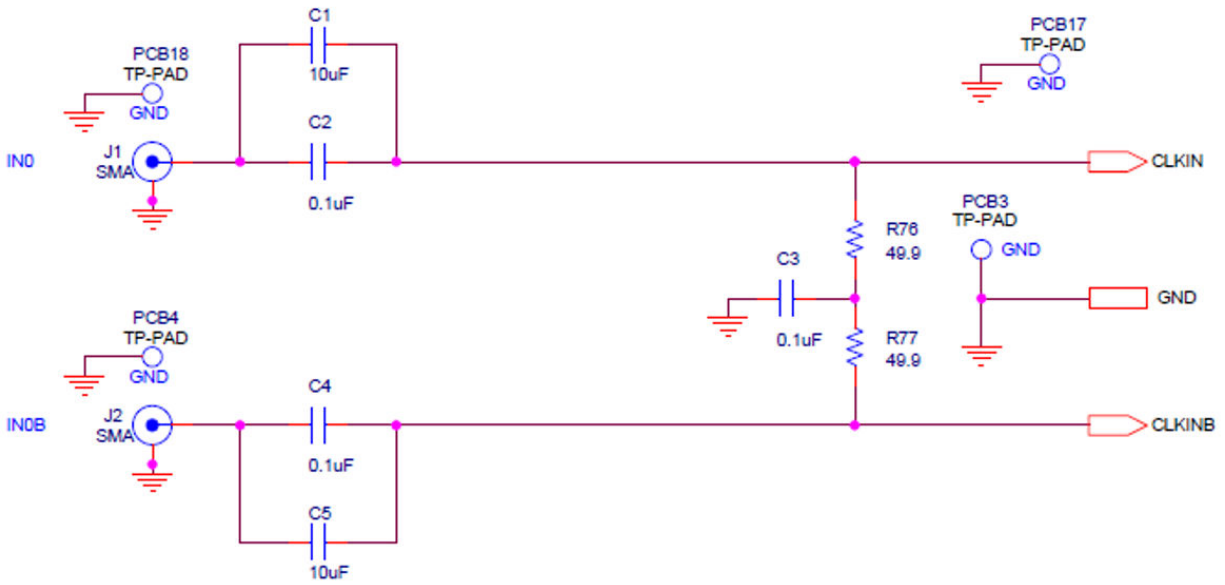


Figure 7.1. Input Clock Termination Circuit

8. Clock Output Circuits (OUTx/OUTxB)

Each of the twenty-four output drivers (12 differential pairs) is ac-coupled to its respective SMA connector. The output clock termination circuit is shown below. The output signal will have no dc bias. If dc coupling is required, the ac coupling capacitors can be replaced with a resistor of appropriate value. The Si5395 EVB provides pads for optional output termination resistors and/or low-frequency capacitors. Note that components with the schematic "NI" designation are not normally populated on the Si5395 EVB and provide locations on the PCB for optional dc/ac terminations by the end user.

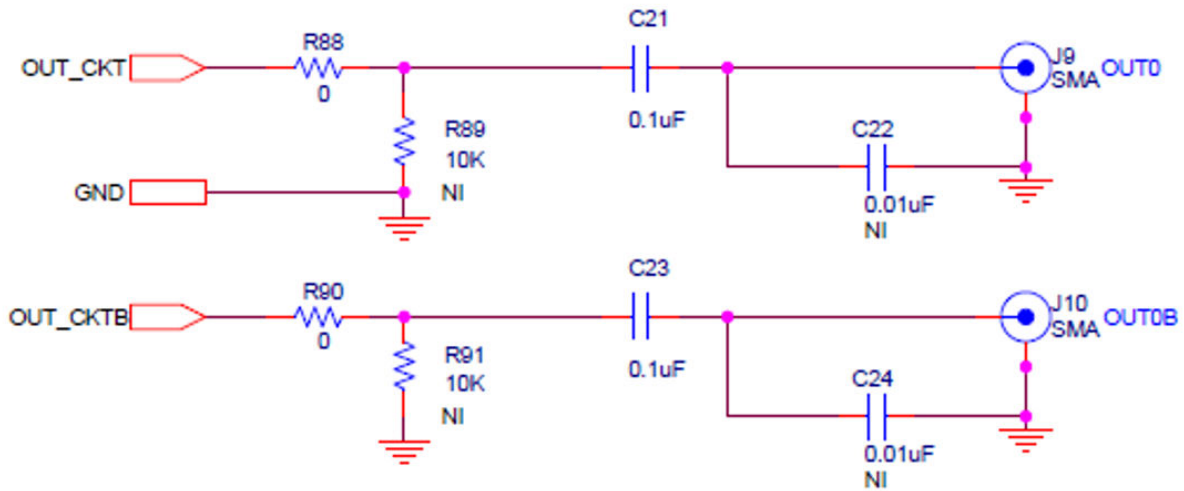


Figure 8.1. Output Clock Termination Circuit

9. Installing ClockBuilderPro Desktop Software

To install the CBOPro software on any **Windows 7** (or above) PC, go to <https://www.skyworksinc.com/en/application-pages/clockbuilder-pro-software> and download the ClockBuilder Pro software.

Installation instructions and User's Guide for ClockBuilder Pro can be found at the download link shown above.

10. Using the Si5395 EVB

10.1 Connecting the EVB to Your Host PC

Once ClockBuilder Pro software is installed, connect to the EVB with a USB cable as shown in the figure below:

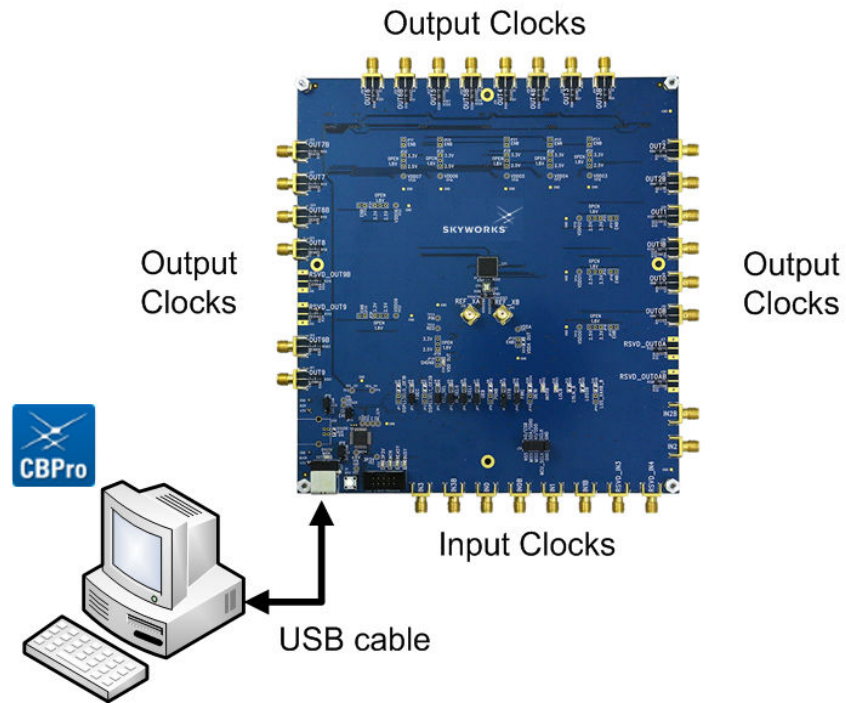


Figure 10.1. EVB Connection Diagram

10.2 Additional Power Supplies

Although additional power (besides the power supplied by the host PC's USB port) is not needed for most configurations, two additional +5 VDC power supplies (MAIN and AUX) can be connected to J33 and J34 (located on the bottom of the board, near the USB connector). Refer to the Si5395 EVB schematic for details.

The Si5395 EVB comes preconfigured with jumpers installed at JP15 and JP16 (pins 1–2 in both cases) in order to select "USB". These jumpers, together with the components installed, configure the evaluation board to obtain all +5 V power solely through the main USB connector at J37. This setup is the default configuration and should normally be sufficient.

The following figure shows the correct installation of the jumper shunts at JP15 and JP16 for default or standard operation.

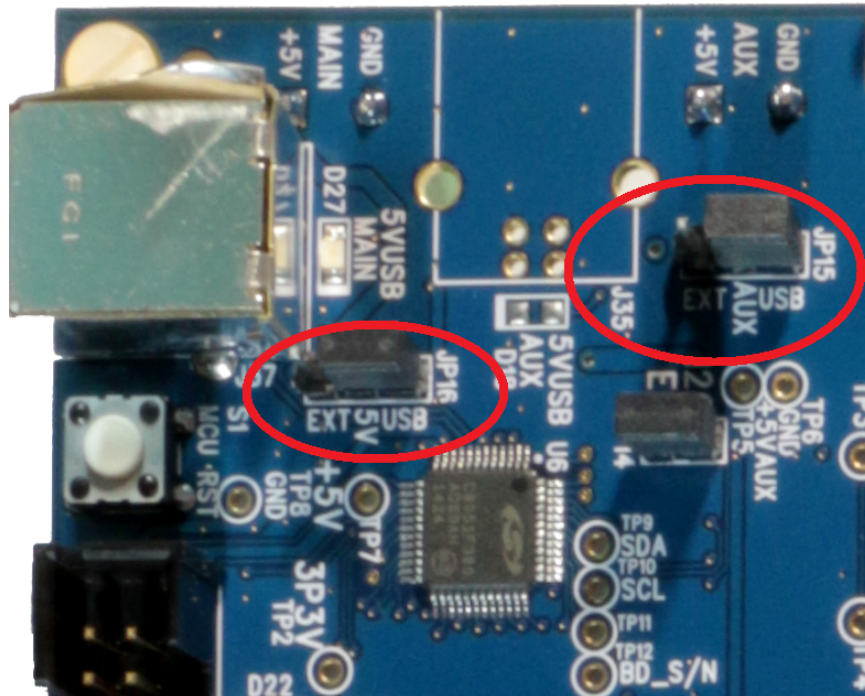


Figure 10.2. JP15–JP16 Standard Jumper Shunt Installation

Note: Some early versions of the 64-pin Si534x-EVBs may have the silkscreen text at JP15–JP16 reversed regarding EXT and USB, i.e., USB EXT instead of EXT USB. Regardless, the correct installation of the jumper shunts for default or standard operation is on the right hand side as read and viewed in the figure above.

The general guidelines for single USB power supply operation are as follows:

- Use either a USB 3.0 or USB 2.0 port. These ports are specified to supply 900 mA and 500 mA, respectively, at +5 V.
- If you are working with a USB 2.0 port and you are current limited, turn off enough DUT output voltage regulators to drop the total DUT current ≤ 470 mA. (Note: USB 2.0 ports may supply > 500 mA. Provided the nominal +5 V drops gracefully by less than 10%, the EVB will still work.)
- If you are working with a USB 2.0 and you are current-limited and need all output clock drivers enabled, reconfigure the EVB to drive the DUT output voltage regulators from an external +5 V power supply as follows:
 - Connect an external +5 V power supply to terminal block J33 on the back side of the PCB.
 - Move the jumper at JP15 from pins 1–2 USB to pins 2–3 EXT.

10.3 Overview of ClockBuilder Pro Applications

Note: The following instructions and screen captures may vary slightly depending on the grade of your device and your version of ClockBuilder Pro. (The screen captures below were taken for a board labeled "Si5395A-A-EB".) The ClockBuilder Pro installer will install **two** main applications:

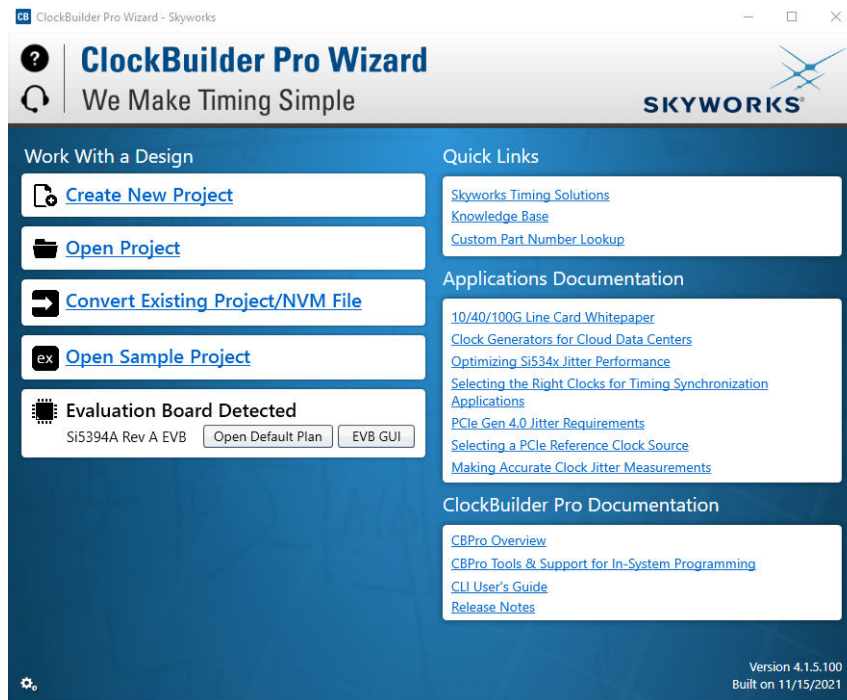


Figure 10.3. Application #1: ClockBuilder Pro Wizard

Use the CBPro wizard to:

- Create a new design
- Review or edit an existing design
- Export: create in-system programming

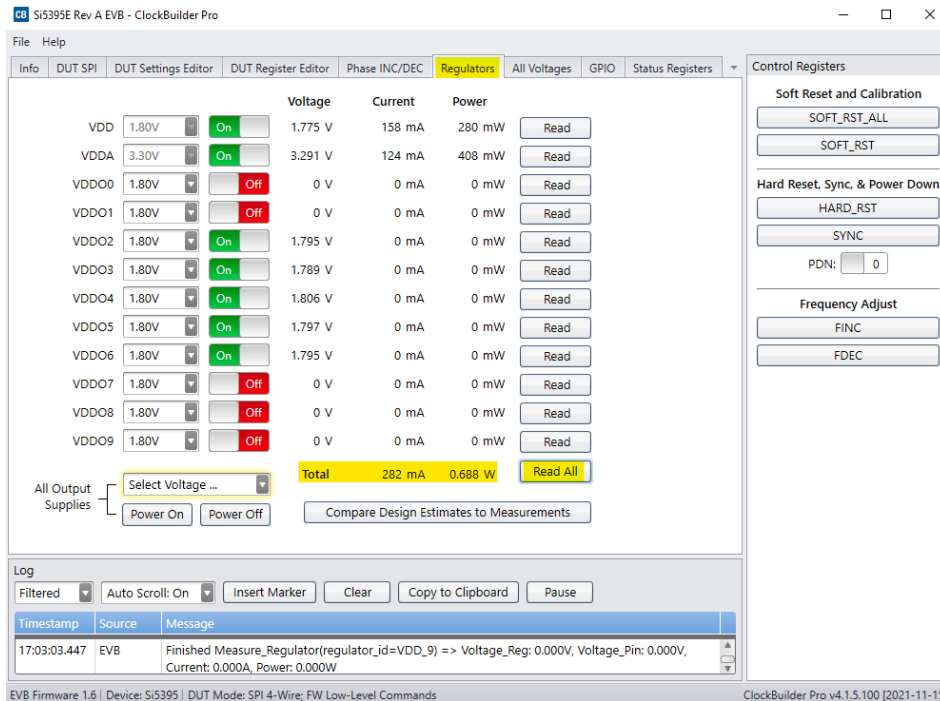


Figure 10.4. Application #2: EVBGUI

Use the EVB GUI to:

- Download configuration to EVB's DUT (Si5395)
- Control the EVB's regulators
- Monitor voltage, current, and power on the EVB

10.4 Common ClockBuilder Pro Workflow Scenarios

There are three common workflow scenarios when using CBPro and the Si5395 EVB. These workflow scenarios are:

- Workflow Scenario 1: Testing a Skyworks-Created Default Configuration
- Workflow Scenario 2: Modifying the Default Skyworks-Created Device Configuration
- Workflow Scenario 3: Testing a User-Created Device Configuration

Each workflow scenario is described in more detail in the following sections.

10.5 Workflow Scenario 1: Testing a Skyworks Default Configuration

The flow for using the EVB GUI to initialize and control a device on the EVB is as follows:

Once the PC and EVB are connected, launch **ClockBuilder Pro** by clicking this icon on your PC's desktop:

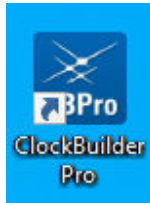


Figure 10.5. ClockBuilder Pro Desktop Icon

If an EVB is detected, click on the “Open Default Plan” button on the Wizard’s main menu. CBPro automatically detects the EVB and device type.

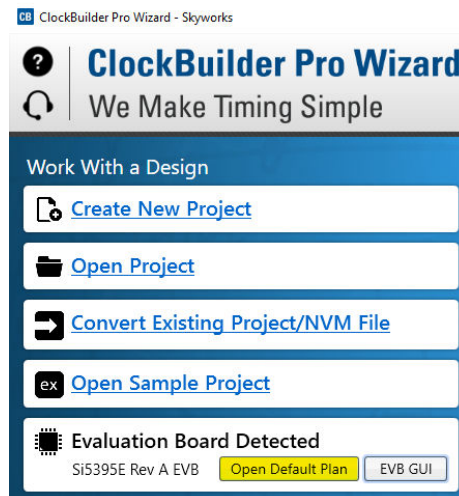


Figure 10.6. Open Default Plan

Once you open the default plan (based on your EVB model number), a popup will appear:

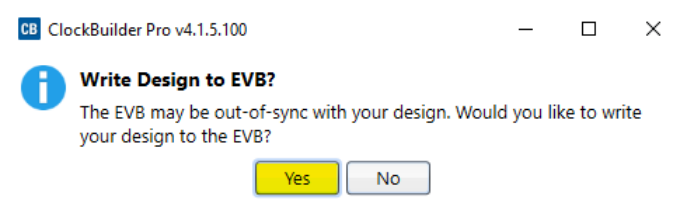


Figure 10.7. Write Design to EVB Dialog

Select “Yes” to write the default plan to the Si5395 device mounted on your EVB. This ensures the device is completely reconfigured per the Skyworks default plan for the DUT type mounted on the EVB.

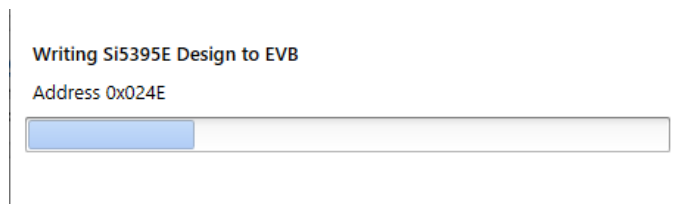


Figure 10.8. Writing Design Status

After CBPro writes the default plan to the EVB, click on “Open EVB GUI” as shown below:

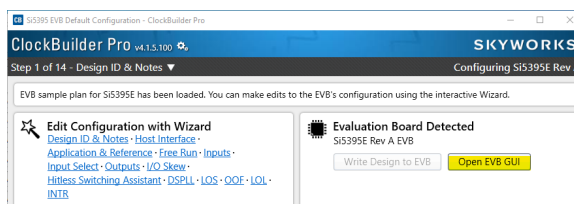


Figure 10.9. Open EVB GUI

The EVB GUI will appear. Note that all power supplies will be set to the values defined in the device's default CBPro project file created by Skyworks Solutions, Inc., as shown in the following figure:

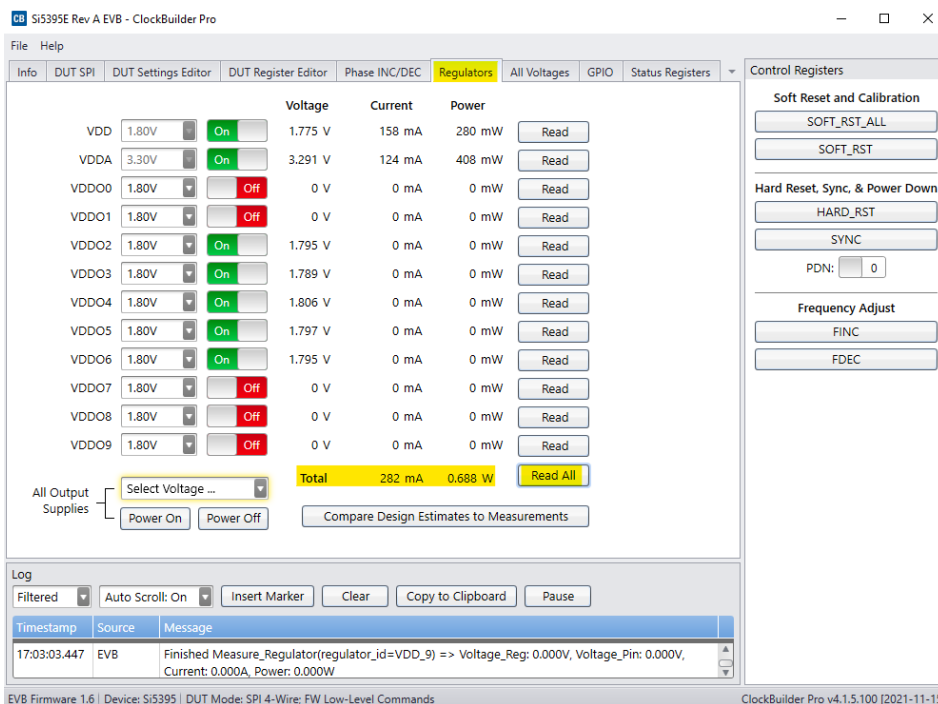


Figure 10.10. EVB GUI Window

10.5.1 Verify Free-Run Mode Operation

Assuming no external clocks have been connected to the INPUT CLOCK differential SMA connectors (labeled “INx/INxB”) located around the perimeter of the EVB, the DUT should now be operating in free-run mode, as the DUT will be locked to the crystal in this case.

You can run a quick check to determine if the device is powered up and generating output clocks (and consuming power) by clicking on the highlighted "Read All" button and then reviewing the voltage, current, and power readings for each VDDx supply.

Note: Switching the VDD and VDDA supplies “Off” and then “On” will power-down and reset the DUT. Each time this is done, you must go back to the Wizard’s main menu and select “Write Design to EVB” to reload the Skyworks default plan into the DUT’s register space, as shown below.

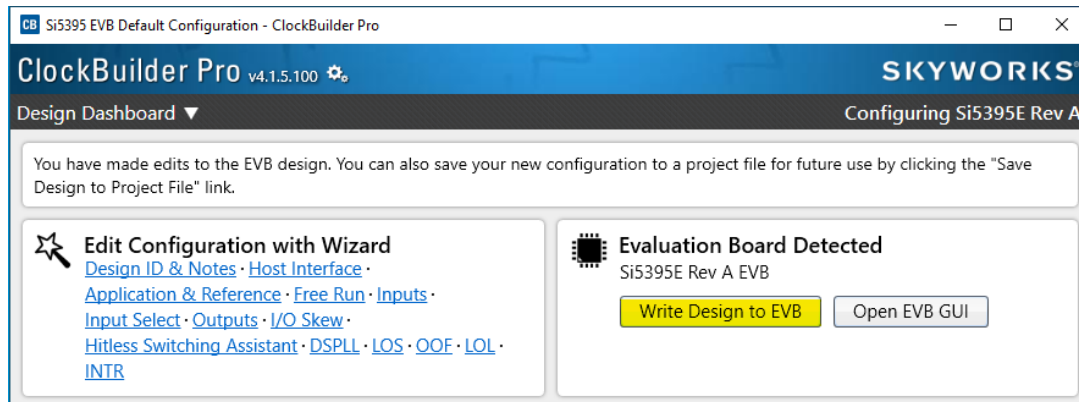


Figure 10.11. Write Design to EVB

Failure to perform this step will cause the device to read in a preprogrammed plan from its non-volatile memory (NVM). However, the plan loaded from the NVM may not be the latest plan recommended by Skyworks for evaluation.

At this point, you should verify the presence and frequencies of the output clocks (running to free-run mode from the crystal) using appropriate external instrumentation connected to the output clock SMA connectors. To verify that the output clocks are toggling at the correct frequency and signal format, click on View Design Report as highlighted below.

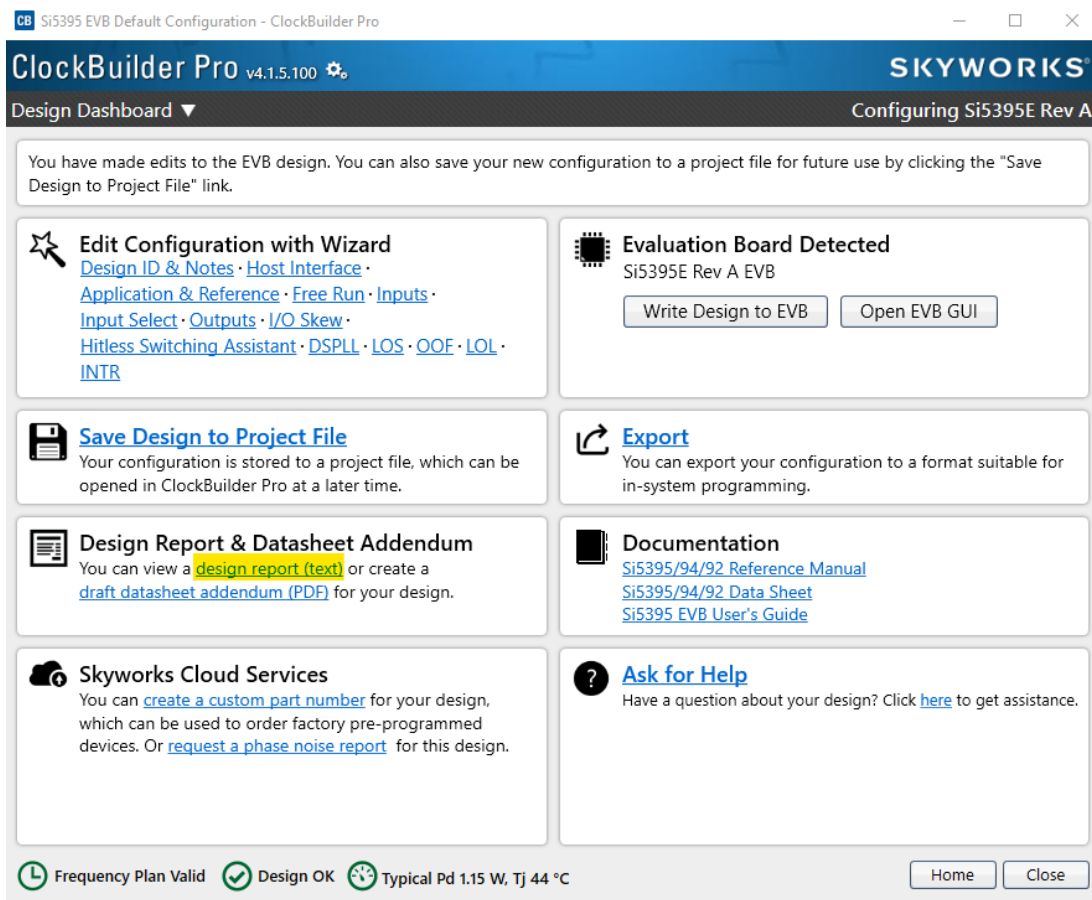


Figure 10.12. View Design Report

Your configuration's design report will appear in a new window, as shown below. Compare the observed output clocks to the frequencies and formats noted in your default project's Design Report.

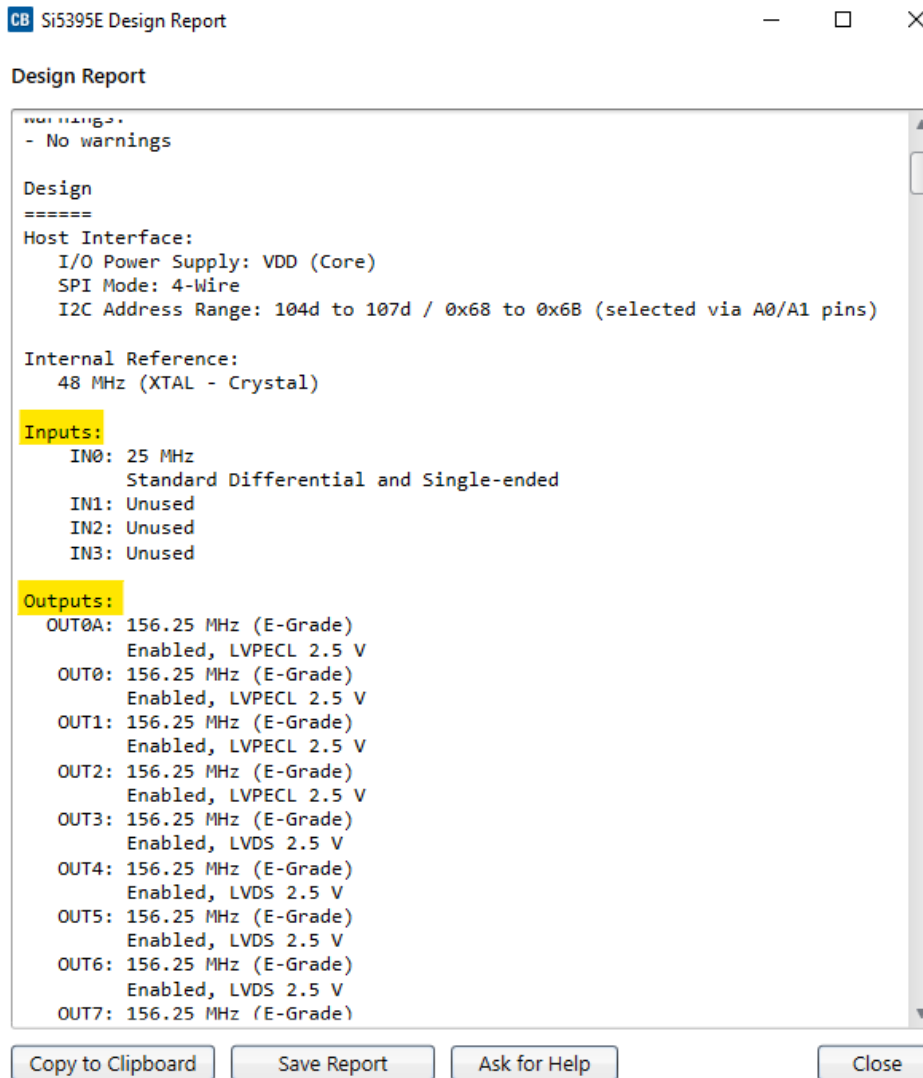


Figure 10.13. Design Report Window

10.5.2 Verify Locked Mode Operation

Assuming you connect the correct input clocks to the EVB (as noted in the Design Report shown above), the DUT on your EVB will run in “locked” mode.

10.6 Workflow Scenario 2: Modifying the Default Skyworks-Created Device Configuration

To modify the “default” configuration using the CBPro Wizard, click on the links below under “Edit Configuration with Wizard”.

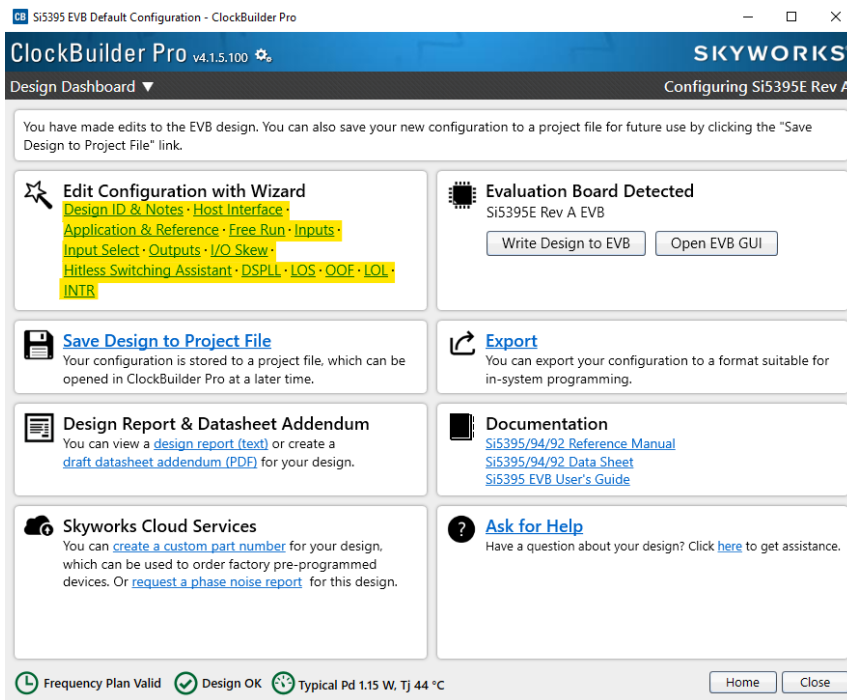


Figure 10.14. Edit Configuration with Wizard

You will now be taken to the Wizard’s step-by-step menus to allow you to change any of the default plan’s operating configurations.

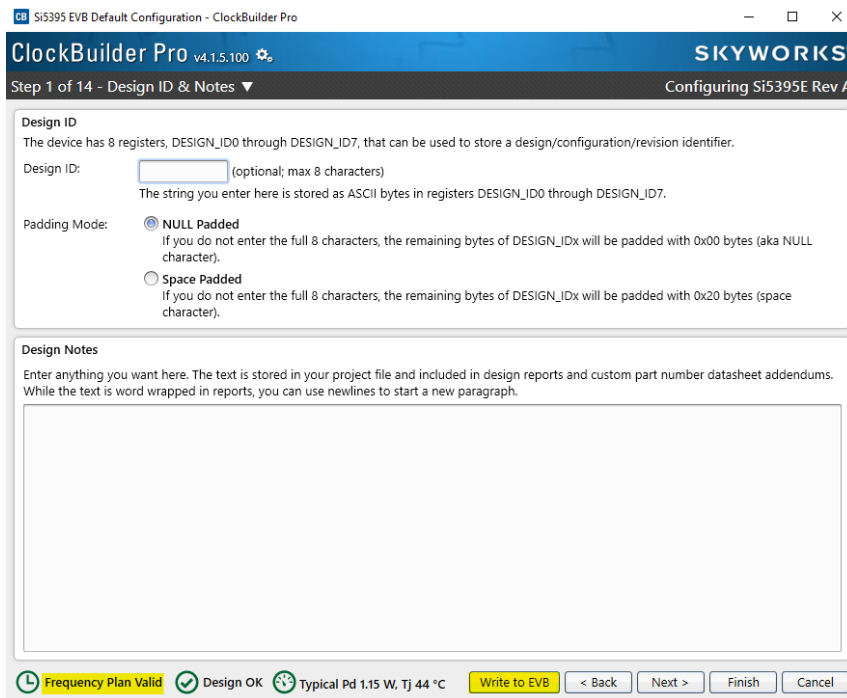


Figure 10.15. Design Wizard

Note that you can click on the icon in the lower left hand corner of the menu to confirm that your frequency plan is valid. After making your desired changes, click on Write to EVB to update the DUT and reconfigure your device real-time. The Design Write status window will appear each time you make a change.

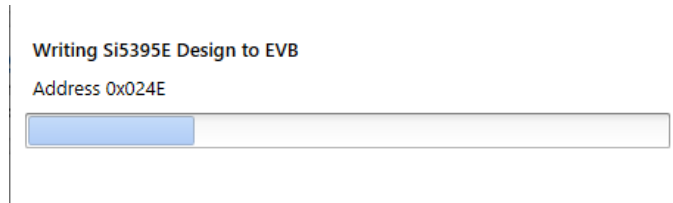


Figure 10.16. Writing Design Status

10.7 Workflow Scenario 3: Testing a User-Created Device Configuration

To test a previously created user configuration, open the CBPro Wizard by clicking the icon on your desktop and selecting Open Design Project File.

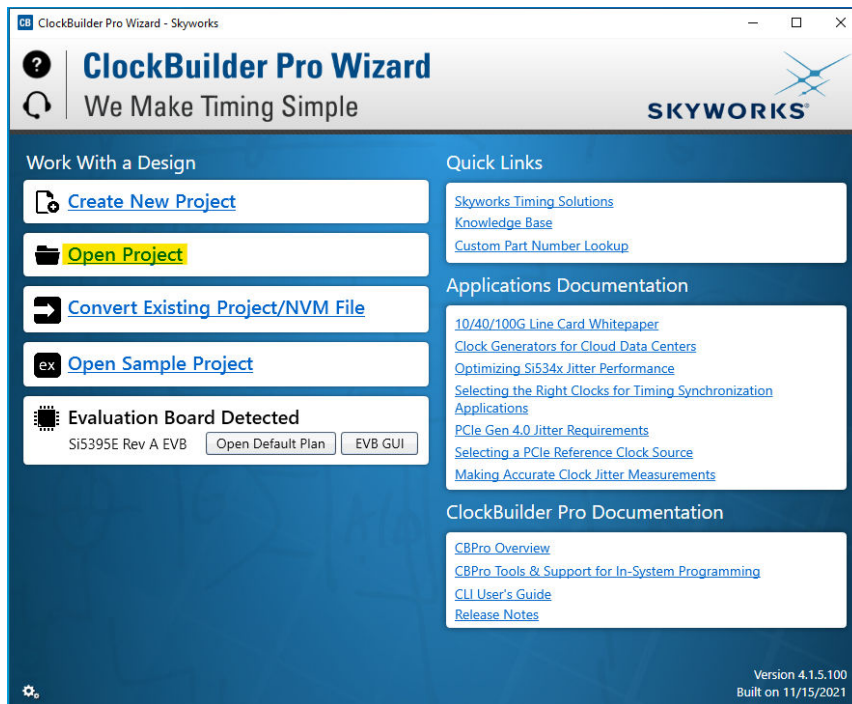


Figure 10.17. Open Design Project File

Locate your CBPro design file (*.slabtimeproj or *.sitproj file) in the Windows file browser.

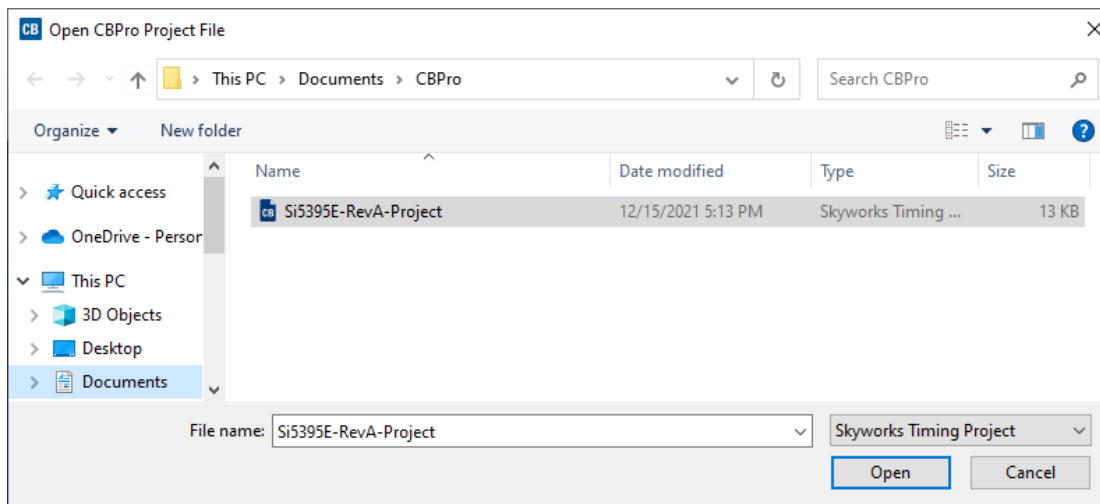


Figure 10.18. Browse to Project File

Select "Yes" when the WRITE DESIGN to EVB popup appears:

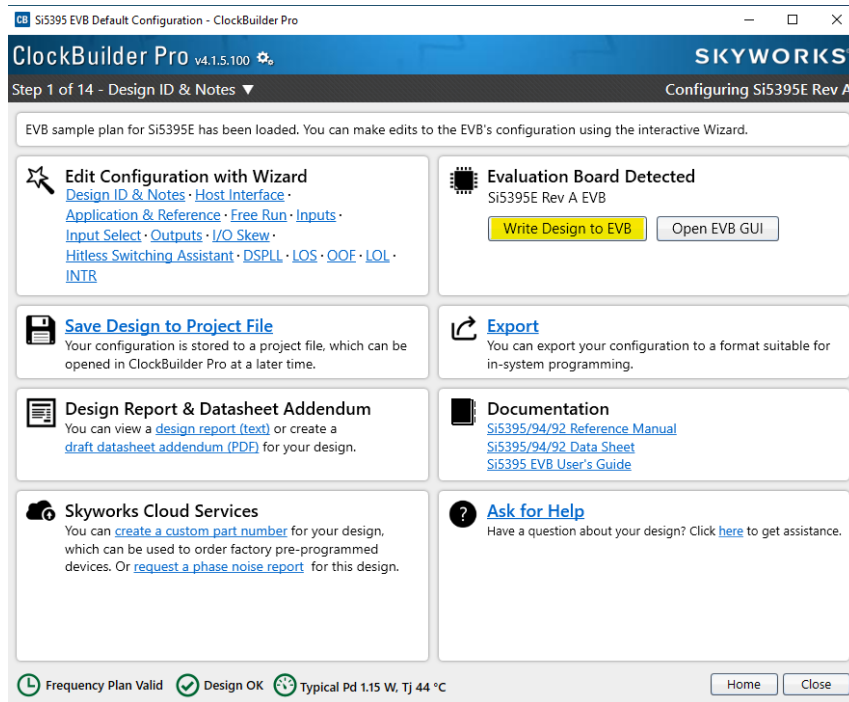


Figure 10.19. Write Design to EVB Dialog

The progress bar will be launched. Once the new design project file has been written to the device, verify the presence and frequencies of your output clocks and other operating configurations using external instrumentation.

10.8 Exporting the Register Map File for Device Programming by a Host Processor

You can also export your configuration to a file format suitable for in-system programming by selecting Export as shown below:

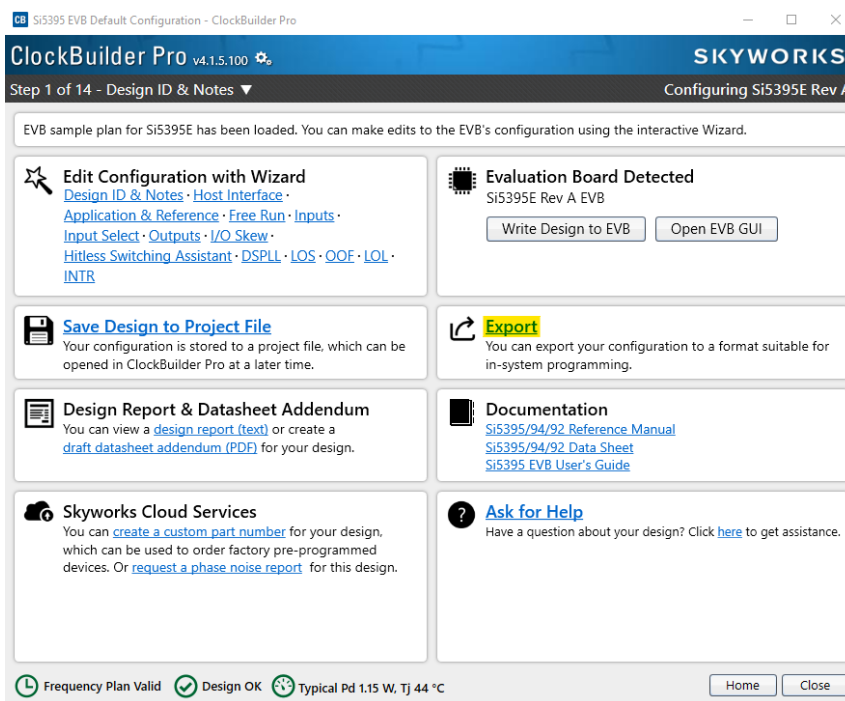


Figure 10.20. Export Register Map File

You can now write your device's complete configuration to file formats suitable for in-system programming:

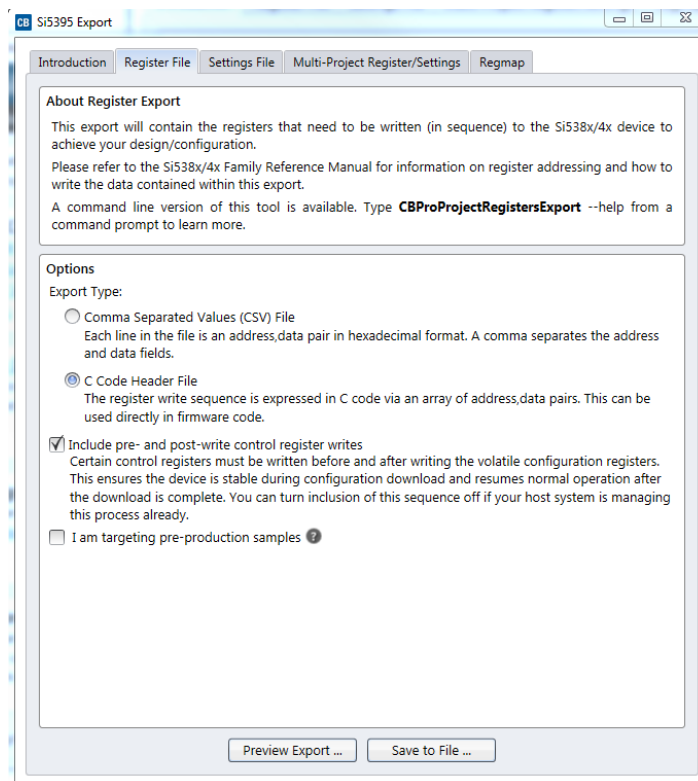


Figure 10.21. Export Settings

11. Writing a New Frequency Plan or Device Configuration to Non-Volatile Memory (OTP)

Note: Writing to the device non-volatile memory (OTP) is **NOT** the same as writing a configuration into the Si5395 using ClockBuilder Pro on the Si5395 EVB. Writing a configuration into the EVB from ClockBuilderPro is done using Si5395 RAM space and can be done a virtually unlimited numbers of times. Writing to OTP is limited as described below.

Refer to the Si5395 Family Reference Manual and device data sheets for information on how to write a configuration to the EVB DUT's non-volatile memory (OTP). The OTP can be programmed a maximum of **two** times only. Care must be taken to ensure the desired configuration is valid when choosing to write to OTP.

12. Serial Device Communications

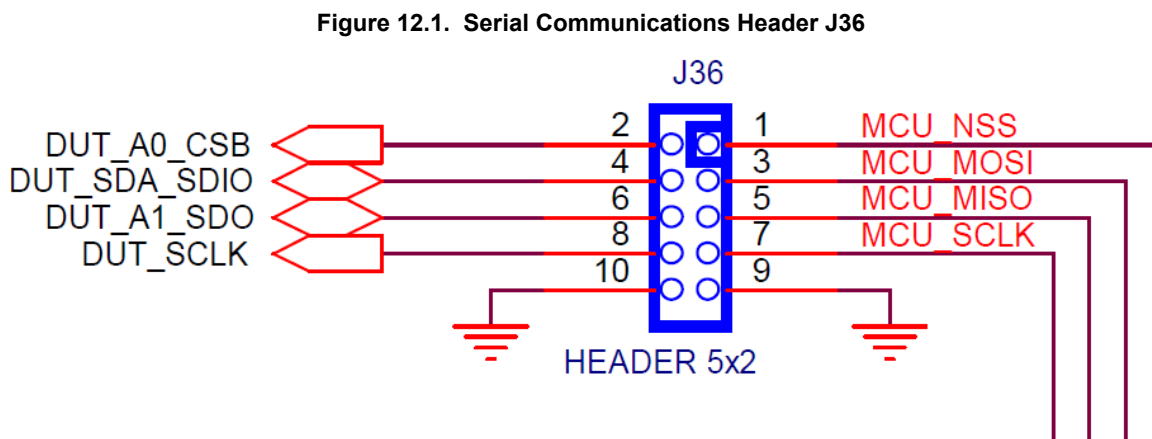
12.1 Onboard SPI Support

The MCU onboard the Si5395 EVB communicates with the Si5395 device through a 4-wire SPI (Serial Peripheral Interface) link. The MCU is the SPI master and the Si5395 device is the SPI slave. The Si5395 device can also support a 2-wire I²C serial interface, although the Si5395 EVB does NOT support the I²C mode of operation. SPI mode was chosen for the EVB because of the relatively higher speed transfers supported by SPI vs. I²C.

12.2 External I²C Support

I²C can be supported if driven from an external I²C controller. The serial interface signals between the MCU and Si5395 pass through shunts loaded on header J36. These jumper shunts must be installed in J36 for normal EVB operation using SPI with CBPro. If testing of I²C operation via external controller is desired, the shunts in J36 can be removed thereby isolating the onboard MCU from the Si5395 device. The shunt at J4 (I2C_SEL) must also be removed to select I²C as Si5395 interface type. An external I²C controller connected to the Si5395 side of J36 can then communicate to the Si5395 device. For more information on I²C signal protocol, refer to the Si5395 data sheet.

The figure below illustrates the J36 header schematic. J36 even numbered pins (2, 4, 6, etc.) connect to the Si5395 device, and the odd numbered pins (1, 3, 5, etc.) connect to the MCU. Once the jumper shunts have been removed from J36 and J4, I²C operation should use J36 pin 4 (DUT_SDA_SDIO) as the I2CSDA and J36 pin 8 (DUT_SCLK) as the I2CSCLK. Note that the external I²C controller will need to supply its own I²C signal pull-up resistors.



13. Si5395 EVB Schematic, Layout, and Bill of Materials (BOM)

The Si5395 EVB Schematic, Layout, and Bill of Materials (BOM) can be found online at:

<https://www.skyworksinc.com/-/media/Skyworks/SL/documents/public/data-sheets/si5395-94-92-a-datasheet.pdf>

Note: Please be aware that the Si5395 EVB schematic is in **OrCad Capture hierarchical format** and not in a typical “flat” schematic format.

This document supports the evaluation board silkscreened Si5395 EVB for the following configurations as described in the table below. The data sheet documents the different Si5395 grades.

Table 13.1. Evaluation Board Configurations¹

| Config # | Eval Board Label | Si5395 | | Notes |
|----------|------------------|--------|----------|--------------------------------------------------------------------------------------------------|
| | | Grade | Revision | |
| 1 | Si5395A-A-EB | A | A | Crystal and related components installed. |
| 2 | Si5395P-A-EB | P | A | Crystal and related components installed. Only the DUT and label differ versus Si5395A-A-EB. |
| 3 | Si5395J-A-EB | J | A | Crystal and related components not installed. Only the DUT and label differ versus Si5395A-A-EB. |
| 4 | Si5395E-A-EB | E | E | Crystal and related components not installed. Only the DUT and label differ versus Si5395A-A-EB. |

Note:

- Note that it is not possible to load an Si5395A project onto an Si5395P-A-EB or an Si5395P project onto an Si5395A-A-EB. Use Si5395A/B/C/D plans for Si5395A-A-EB and Si5395P plans for Si5395P-A-EB. The same applies for the embedded XTAL parts. Use Si5395JKLM plans for Si5395J-A-EB and Si5395E plans for Si5395E-A-EB.



SKYWORKS®

ClockBuilder Pro

Customize Skyworks clock generators, jitter attenuators and network synchronizers with a single tool. With CBPro you can control evaluation boards, access documentation, request a custom part number, export for in-system programming and more!

www.skyworksinc.com/CBPro



Portfolio

www.skyworksinc.com/ia/timing



SW/HW

www.skyworksinc.com/CBPro



Quality

www.skyworksinc.com/quality



Support & Resources

www.skyworksinc.com/support

Copyright © 2021 Skyworks Solutions, Inc. All Rights Reserved.

Information in this document is provided in connection with Skyworks Solutions, Inc. ("Skyworks") products or services. These materials, including the information contained herein, are provided by Skyworks as a service to its customers and may be used for informational purposes only by the customer. Skyworks assumes no responsibility for errors or omissions in these materials or the information contained herein. Skyworks may change its documentation, products, services, specifications or product descriptions at any time, without notice. Skyworks makes no commitment to update the materials or information and shall have no responsibility whatsoever for conflicts, incompatibilities, or other difficulties arising from any future changes.

No license, whether express, implied, by estoppel or otherwise, is granted to any intellectual property rights by this document. Skyworks assumes no liability for any materials, products or information provided hereunder, including the sale, distribution, reproduction or use of Skyworks products, information or materials, except as may be provided in Skyworks' Terms and Conditions of Sale.

THE MATERIALS, PRODUCTS AND INFORMATION ARE PROVIDED "AS IS" WITHOUT WARRANTY OF ANY KIND, WHETHER EXPRESS, IMPLIED, STATUTORY, OR OTHERWISE, INCLUDING FITNESS FOR A PARTICULAR PURPOSE OR USE, MERCHANTABILITY, PERFORMANCE, QUALITY OR NON-INFRINGEMENT OF ANY INTELLECTUAL PROPERTY RIGHT; ALL SUCH WARRANTIES ARE HEREBY EXPRESSLY DISCLAIMED. SKYWORKS DOES NOT WARRANT THE ACCURACY OR COMPLETENESS OF THE INFORMATION, TEXT, GRAPHICS OR OTHER ITEMS CONTAINED WITHIN THESE MATERIALS. SKYWORKS SHALL NOT BE LIABLE FOR ANY DAMAGES, INCLUDING BUT NOT LIMITED TO ANY SPECIAL, INDIRECT, INCIDENTAL, STATUTORY, OR CONSEQUENTIAL DAMAGES, INCLUDING WITHOUT LIMITATION, LOST REVENUES OR LOST PROFITS THAT MAY RESULT FROM THE USE OF THE MATERIALS OR INFORMATION, WHETHER OR NOT THE RECIPIENT OF MATERIALS HAS BEEN ADVISED OF THE POSSIBILITY OF SUCH DAMAGE.


Skyworks products are not intended for use in medical, lifesaving or life-sustaining applications, or other equipment in which the failure of the Skyworks products could lead to personal injury, death, physical or environmental damage. Skyworks customers using or selling Skyworks products for use in such applications do so at their own risk and agree to fully indemnify Skyworks for any damages resulting from such improper use or sale.

Customers are responsible for their products and applications using Skyworks products, which may deviate from published specifications as a result of design defects, errors, or operation of products outside of published parameters or design specifications. Customers should include design and operating safeguards to minimize these and other risks. Skyworks assumes no liability for applications assistance, customer product design, or damage to any equipment resulting from the use of Skyworks products outside of Skyworks' published specifications or parameters.

Skyworks, the Skyworks symbol, Sky5®, SkyOne®, SkyBlue™, Skyworks Green™, Clockbuilder®, DSPLL®, ISOModem®, ProSLIC®, and SiPHY® are trademarks or registered trademarks of Skyworks Solutions, Inc. or its subsidiaries in the United States and other countries. Third-party brands and names are for identification purposes only and are the property of their respective owners. Additional information, including relevant terms and conditions, posted at www.skyworksinc.com, are incorporated by reference.

Looking for pricing, stock, or lifecycle information?

Click below to explore more details on WIN SOURCE:

-  [View SI5395A-A-EVB on WIN SOURCE](#)
-  [Skyworks Solutions Inc. Information](#)

Optimize Your Supply Chain with WIN SOURCE Solutions

-  Global Sourcing Solution
-  Obsolete Management
-  Cost Control Management
-  Shortage Management
-  Alternative Solution
-  Excess Inventory Management