



**THE DATASHEET OF  
SI2401FS10-EVB**





## EVALUATION BOARD FOR THE Si2401 WITH A UART INTERFACE

### Description

The Si2401FS10-EVB evaluation board provides the system designer an easy way of evaluating the Si2401 ISModem®. The Si2401FS10-EVB consists of a motherboard with a power supply, an RS-232 and USB interface, other ease-of-use features, and a complete removable modem module on a daughter card. (A functional block diagram of the Si2401FS10-EVB is shown below.) The Si2401 ISModem is a complete controller-based modem chipset integrating Skyworks Solutions' third-generation, globally-programmable direct access arrangement (DAA). Available as two 16-pin small outline (SOIC) packages, the Si2401 ISModem eliminates the need for a separate DSP data pump, modem controller, memories, codec, isolation transformer, relays, opto-isolators, and a 2- to 4-wire hybrid. The Si2401 is ideal for embedded modem applications due to its small board area, controller-based architecture, low power consumption, and global compliance. The Si2401FS10-EVB provides an RJ-11 jack for interfacing to the phone line and a DB9 or USB connector for interfacing the Si2401FS10-EVB to a PC or data terminal serial port. This allows the Si2401 ISModem to operate as a serial modem for straightforward evaluation. To evaluate the Si2401 ISModem in an embedded system, the daughter card can be used independently or with the motherboard.

A direct access header (JP3) is available on the motherboard to bypass the RS-232 transceivers and connect the Si2401 ISModem directly to a target system.

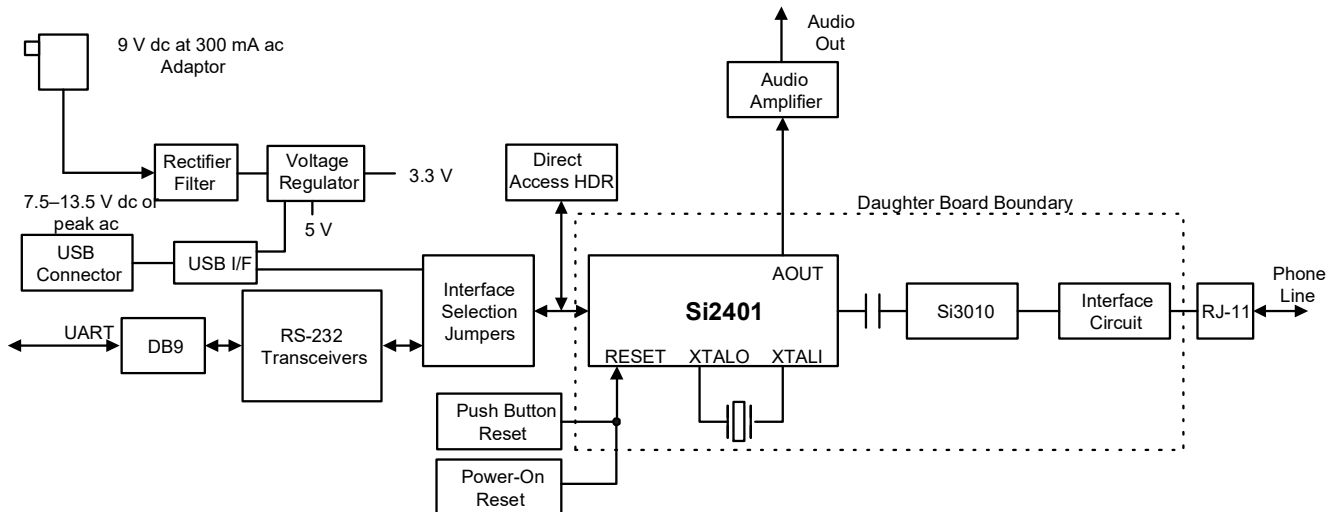
Power is supplied through a screw terminal (J3) or a standard 2 mm power jack (J4). An onboard rectifier, filter, and voltage regulator allow the power input to be 7.5–13 V ac or dc (either polarity). Alternatively, power can be supplied through the USB interface (whether the USB or an RS232 interface is used). The Si2401FS10-EVB can drive an external speaker for call monitoring, or a piezoelectric speaker can be mounted directly on the board in the space provided.

### Features

The Si2401FS10-EVB includes the following:

- Dual RJ-11 connection to phone line
- RS-232 and USB interface to PC
- Audio connector for call monitoring
- Direct access to Si2401 for embedded application evaluation
- Easy power connection to common 7.5–13.5 V power supplies or USB port
- 9 V ac adaptor
- Simple installation and operation

### Functional Block Diagram



# Si2401FS10-EVB

## 1. Introduction

Notable differences between the Si2401 and other ISModem products are highlighted in the bulleted list below. For complete details and specifications, refer to the current Si2401 data sheet.

Unique Si2401 Features:

- Many AT commands execute when entered without <CR>.
- S-Register address and value are entered in hex (example: ATSO0F = 2B).
- Result codes are abbreviated (example: "O" instead of "OK").
- The Si2401DC power must be 3.3 V.
- Several AT commands are required to enable the speaker:
  - ATSE2 = 80 configures GPIO4 for AOUT.
  - ATSF4 = 00 removes Tx and Rx audio mute.
  - ATM2 turns on speaker continuously.
- DTE interface default is 8N1, 2400 bps, hardware flow control, and no linefeeds with carriage returns.
- ATDT is disabled if linefeeds with carriage returns are enabled.
- Some common AT Commands are not available:
  - A/
  - ATD (must be ATDT or ATDP)
  - AT&Tn (use ATSE4=20 for local digital loopback)

**Table 1. Modem Configuration Examples**

Modulation	ATS07 =
V22bis	06
V.22	02
V.21	03
Bell 212A	00
Bell 103	01
V.23 (1200 TX, 75 RX—Answer)	14
V.23 (75 TX, 1200 RX—Originate)	24
V.23 (600 TX, 75 RX—Answer)	10
V.23 (75 TX, 600 RX—Originate)	20

**Table 2. Modem Initialization Example**

Command	Function
ATS00 = 02	Auto-answer after two rings
ATS07 = 06	Configures modem for V.22b
ATSF4 = 00	Removes audio mute
ATM1	Turns on speaker until carrier negotiated

## 2. Si2401FS10-EVB Setup and Evaluation

This section explains how to set up the Si2401FS10-EVB for evaluation as an RS-232 or USB interface modem. Jumper settings, power connection, PC/terminal connections, and terminal program configuration settings are given. After power is applied, the initial modem setup and a basic tutorial on modem operation are provided. The Si2401FS10-EVB configurations for evaluating additional features are discussed separately.

### 2.1. Si2401FS10-EVB Quick Start—RS-232 Interface

1. Set jumpers according to Figure 1.
2. Connect:
  - DB-9 to PC COM 1 (with a pass-through cable).
  - RJ-11 to phone line or test box.
  - the 9 V ac adaptor (or USB cable).
3. Bring up:
  - Turn on power to modem.
  - Set Terminal Program for 2400 bps 8N1. Hardware flow control. Disable linefeeds with carriage returns (linefeeds with carriage returns disable ATDT commands.)
4. Type "AT" followed by a carriage return.
  - Should echo "AT" and then an "O".
5. Type:
  - ATS00 = 01 for auto-answer on first ring.

### 2.2. Si2401 FS10-EVB Quick Start—USB Interface

1. Set jumpers according to Figure 2.
2. Connect:
  - USB cable to PC.
  - RJ-11 to phone line or test box.
3. Download USB driver for your operating system from the CD supplied with the evaluation board.
4. Install driver.
5. Bring up:
  - Reset the modem.
  - Set Terminal Program for 2400 bps 8N1. Hardware flow control. Disable linefeeds with carriage returns (linefeeds with carriage returns disable ATDT commands).
6. Type "AT" followed by a carriage return.
  - Should echo "AT" and then an "O".
7. Type:
  - ATS00=01 for auto-answer on first ring.

## 2.3. Jumper Settings

Check all jumper settings on the Si2401FS10-EVB before applying power. Figure 1 shows the standard factory jumper settings. These settings configure the Si2401FS10-EVB for RS-232 serial operation. Any standard terminal program configured to communicate through a PC COM port can be used to communicate with the Si2401FS10-EVB. To connect the modem directly into an embedded system with LVCMOS/TTL levels, install JP8 to disable both the RS-232 and USB interfaces. Connection to the embedded system can be made to JP-3. Place a jumper on JP13 to enable the onboard speaker, LS1.

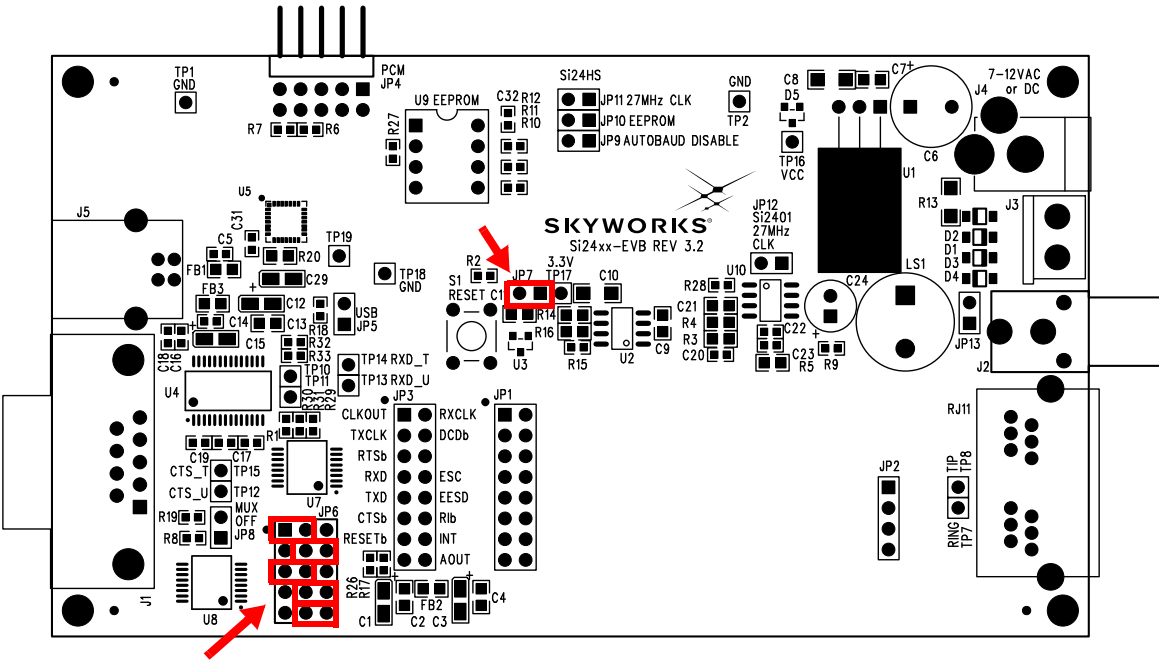


Figure 1. Standard Factory Jumper Settings—RS-232 Interface (Outlined in Gray)

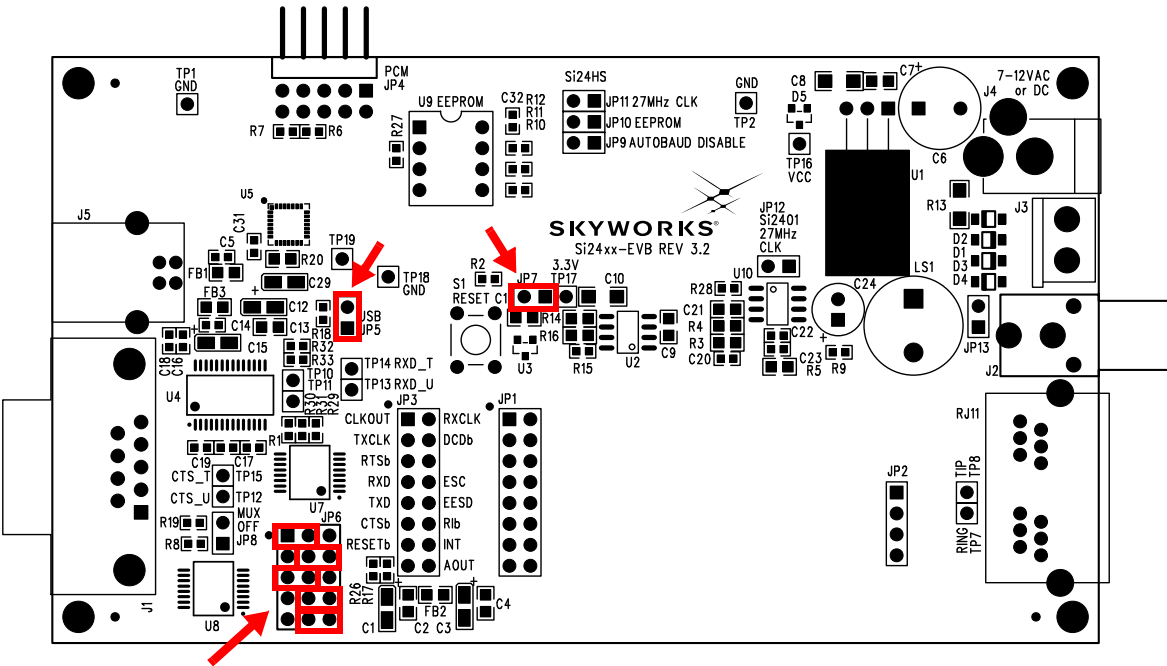


Figure 2. Standard Factory Jumper Settings—USB Interface (Outlined in Gray)

# Si2401FS10-EVB

---

## 2.4. Power Requirements

The Si2401FS10-EVB has an onboard diode bridge, filter capacitor, and voltage regulator. Power can be supplied from any source capable of providing 7.5–13 V dc or 7.5–13 V peak ac and at least 100 mA. (Additional current may be required if a speaker is connected for monitoring call progress tones.) Power may be applied to the Si2401FS10-EVB through the screw terminals (J3) or the 2 mm power jack (J4). The onboard full-wave rectifier and filter ensure that the correct polarity is applied to the Si2401FS10-EVB. Daughter card power is supplied through voltage regulator U2 and is factory-set at 3.3 V. Power is also supplied by the USB cable and can be used regardless of whether the modem is configured for the USB, RS-232, or direct interface mode. Daughter card current can be measured by connecting an ammeter between JP7 pins 1 and 2. These pins must always be connected. Failure to connect pins 1 and 2 of JP7 through either a jumper or a low-impedance ammeter may result in damage to the Si2401FS10-EVB.

## 2.5. Terminal and Line Connections

The Si2401 can be tested as a standard serial data modem by connecting the Si2401FS10-EVB to a personal computer or other data terminal equipment (DTE), phone line, and power. Connect a PC, RS-232, or USB interface to the Si2401FS10-EVB with the appropriate cable. The RS-232 transceivers on the EVB can communicate with the DTE at rates of up to 1 Mbps. Any standard terminal program, such as HyperTerminal or ProComm, running on a PC can communicate with the Si2401FS10-EVB. Configure the terminal emulation program to 2400 bps, 8 data bits, no parity, one stop bit, and hardware flow control. Also, be sure to disable linefeeds with carriage returns. Connect the RJ-11 jack on the Si2401FS10-EVB to an analog phone line or telephone line simulator, such as a Teltone TLS 5.

## 2.6. Making Connections

With the terminal program properly configured and running, apply power to the Si2401FS10-EVB. Type “AT<CR>”, and the modem should return “O” indicating the modem is working in the command mode and communicating with the terminal. If the “O” response is not received, try resetting the modem by pressing the manual reset switch (S1); then type “AT<CR>” again.

To take the modem off-hook, type “ATDT<CR>.” The modem should go to the off-hook state, draw loop current, and respond with a “t”, indicating a dial tone detection. Typing any characters makes the modem hang up (go on-hook) and stop drawing loop current.

To make a modem connection, type “ATDT(called modem phone number)<CR>.” Once the connection is established, a “c” message appears, indicating the two modems are in the data mode and communicating. Typing on one terminal should appear on the other terminal. To return to the command mode without interrupting the connection between the two modems, type “+++.” Approximately two seconds later, “O” will appear. The modem is now in command mode and will accept “AT” commands. To return to data mode, type “ATO.” The modem resumes the data connection and no longer accepts AT commands. Type “ATH” to terminate the data connection.

## 3. Si2401FS10-EVB Functional Description

The Si2401FS10-EVB is a multipurpose evaluation system. The modem daughter card illustrates the small size and small number of components required to implement an entire controller-based modem with global telecommunications compatibility. The daughter card can be used independently of, or in conjunction with, the motherboard. The motherboard adds features that enhance the ease of evaluating the many capabilities of the Si2401 ISModem®.

### 3.1. Motherboard

The motherboard provides a convenient interface to the Si2401DC (daughter card). The versatile power supply allows for a wide range of ac and dc voltages to power the board. RS-232 transceivers and a DB9 connector allow the Si2401FS10-EVB to be easily connected to a PC or other terminal device. Jumper options allow direct access to the LVCMOS/TTL level serial inputs to the Si2401, bypassing the RS-232 transceivers or USB interface. This is particularly useful for directly connecting the Si2401 to embedded systems.

The Si24xxFS10-EVB motherboard connects to the daughter card through two connectors, JP1 and JP2. JP1 is an 8x2 socket providing connection to all Si2401 digital signals and regulated 3.3 V power for the Si2401. The Si2401 digital signals appearing at JP1 (daughter card interface) are LVCMOS- and TTL-compatible. The Si2401DC must be powered by 3.3 V. The motherboard is factory-configured for 3.3 V with JP7 pins 1 and 2. JP2 is a 4x1 socket providing connection between the daughter card and the RJ-11 phone jack.

### 3.1.1. Voltage Regulator/Power Supply

The input voltage to either J3 or J4 must be between 7.5 and 13.5 V dc or 7.5 and 13.5 V<sub>PEAK</sub> ac. The motherboard includes a diode bridge (D1–D4) to guard against a polarity reversal of the dc voltage or to rectify an ac voltage. The power source must be capable of continuously supplying at least 100 mA. C50 serves as a filter cap for an ac input. The voltage regulator, U1, provides 5 V for the motherboard and the input for voltage regulator U2, which outputs 3.3 V for use on the motherboard and to power the daughter card. Si24xxDC power consumption can be measured by placing a meter between pins 1 and 2 of JP7. The connection between JP7 pins 1 and 2 must be made at all times when power is applied to the evaluation board either through a jumper block or a low-impedance meter to avoid damage to the daughter card. Power is supplied to U2 through D5 from the USB.

### 3.1.2. Reset Circuitry

The Si2401 requires a reset pulse to remain low for at least 5.0 ms after the power supply has stabilized during the powerup sequence or for at least 5.0 ms during a power-on reset, then go high with a rise time <100 ns. Most production Si2401 modem chipset applications require that  $\overline{\text{RESET}}$  be controlled by the host processor. Certain Si2401 operation modes, including Powerdown, require a hardware reset to recover.

The Si2401FS10-EVB contains two reset options, an automatic power-on reset device, U3 (DS1818) (default), and a manual reset switch (S1) to permit resetting of the chip without removing power. Regardless of the mechanism, a reset causes all modem settings to revert to factory default values. See Figure 6 on page 11 and Figure 8 on page 13 for the reset circuit schematic.

### 3.1.3. DS1818

The DS1818 is a small, low-cost device that monitors the voltage on V<sub>D</sub> and an external reset pushbutton. If V<sub>D</sub> drops below 3.0 V, the DS1818 provides a 220 ms active-low reset pulse. On power-up, the DS1818 also outputs an active low reset pulse for 220 ms after V<sub>D</sub> reaches 90% of the nominal 3.3 V value. The DS1818 outputs a 220 ms reset pulse any time the power supply voltage exceeds the 3.3 V ±10% window.

### 3.1.4. Manual Reset

The manual reset switch (S1) performs a power-on reset. This resets the Si2401 to factory defaults without turning off power. If S1 is used in conjunction with U6, pressing S1 activates the reset monitor in the DS1818 and produces a 220 ms active low reset pulse.

### 3.1.5. Interface Selection

The serial interface of the Si2401FS10-EVB can be connected to a computer terminal, embedded system, or any other Data Terminal Equipment (DTE) via a standard RS-232 interface, USB interface, or direct TTL serial interface.

The Si2401 can be tested as a standard data modem by connecting the Si2401FS10-EVB to a personal computer or other DTE, power supply, and a phone line. A PC can communicate with the Si2401FS10-EVB using a standard terminal program, such as HyperTerm or ProComm.

Jumper settings determine how the Si2401FS10-EVB is connected to the DTE. Table 3 lists the interface controlled by each motherboard jumper. See Figure 7 on page 12 and Figure 17 on page 22.

**Table 3. Interface Selection Jumpers**

Jumper	Function
JP1	Daughter Card Phone Line Connector.
JP2	Daughter Card Digital Connector.
JP3	Direct Access Header.
JP4	Not Used.
JP5	USB Enable (RS-232 Disable).
JP6	Options.
JP7	3.3 V Power for Daughter Card.
JP8	Disable both RS-232 and USB.
JP9	Not Used.
JP10	Not Used.
JP11	Not Used.
JP12	Enable 27 MHz Clock Option.

### 3.1.6. RS-232 Interface

This operation mode uses the standard factory jumper settings illustrated in Figure 1 on page 3. The Maxim MAX3237 transceiver interfaces directly with the TTL levels available at the serial interface of the Si2401 and, using internal charge pumps, makes these signals compatible with the RS-232 standard. The RS-232 transceiver on the Si2401FS10-EVB can communicate at rates between 300 bps and 1 Mbps. This simplifies the connection to PCs and other Data Terminal Equipment (DTE). The signals available on the Si2401FS10-EVB serial interface (DB9 connector) are listed in Table 4.

**Table 4. DB9 Pin Connections**

J1 Name	J1 Symbol	J1 Pin	Si2401 Pin	Si2401 Name
Carrier Detect	CD	1 <sup>1</sup>		
Received Data	RXD	2	5	RXD
Transmit Data	TXD	3	6	TXD
Data Terminal Ready	DTR	4 <sup>2</sup>	14	ESC/GPIO3
Signal Ground	SG	5	12	GND
Data Set Ready	DSR	6	Note <sup>3</sup>	
Ready to Send	RTS	7	nc	
Clear to Send	CTS	8	7	CTS
Ring Indicator	RD	9 <sup>1</sup>	nc	

**Notes:**

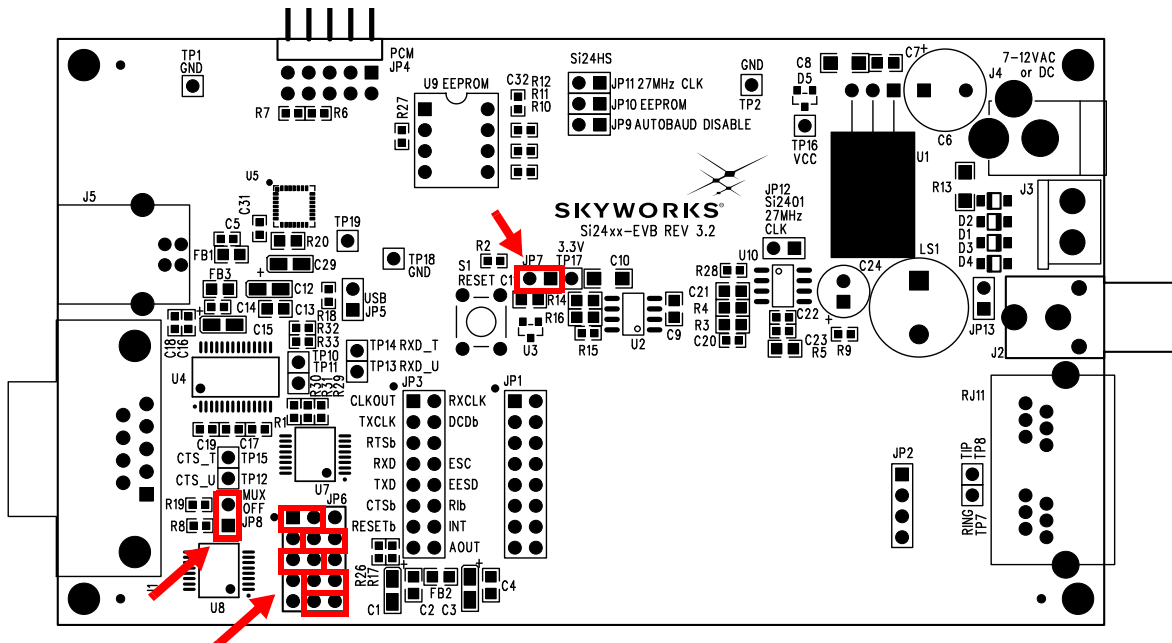
1. JP6 + JP5 jumper option.
2. JP6 Jumper option.
3. DSR connected to DTR at J1.

### 3.1.7. USB Interface

The USB cable connects to J5 on the motherboard and provides both data and power. Installing a jumper on JP5 enables the USB interface and disables the RS-232 interface. The USB interface is provided by U5. A USB driver for this chip is available for most PC and MAC operating systems on the CD.

### 3.1.8. Direct Access Interface

The motherboard supplies power through J3, J4, or USB, power-on reset, and an RJ-11 jack for the modem. The direct access interface (JP3) is used to connect the motherboard to an embedded system. JP3 provides access to all Si2401 signals available on the daughter card. It is necessary to install a jumper on JP8 to disable both the RS-232 and USB interface and prevent signal contention. *Leave the jumper between JP7 pins 1 and 2.* Figure 3 illustrates the jumper settings required for the direct access mode using the motherboard.



**Figure 3. Jumper Settings for Direct Access Interface**

## 3.1.9. Audio Output

Audio output is provided from the Si2401 on the pin, AOUT. This signal allows the user to monitor call progress signals, such as dial tone, DTMF dialing, ring, busy signals, and modem negotiation. Control of this signal is provided by AT commands and register settings described in the introduction. The AOUT signal can be connected to an amplifier, such as the LM386 (the default stuffing option on the Si2401FS10-EVB), for high-quality output. AOUT can also be connected to a summing amplifier or multiplexer in an embedded application as part of an integrated audio system.

## 3.1.10. Amplifier (LM386)

The audio amplifier circuit consists of U10 (LM386), C20, R3, R4, C21, C22, C23, R5, C24, and an optional loudspeaker, LS1. The LM386 has an internally-set voltage gain of 20. R3 and R4 provide a voltage divider to reduce the AOUT signal to prevent overdriving the LM386. C20 provides dc blocking for the input signal and forms a high-pass filter with R3+R4, while R4 and C21 form a low-pass filter. These four components limit the bandwidth of the AOUT signal. C22 provides high-frequency power supply bypassing for the LM386 and should be connected to a hard ground and located very close to the amplifier's power supply and ground pins. C23 and R5 form a compensation circuit to prevent oscillation of the high-current PNP transistor in the LM386 output stage on negative signal peaks. These oscillations can occur between 2–5 MHz and can pose a radiation compliance problem if C23 and R5 are omitted. C24 provides dc blocking for the output of the LM386, which is biased at approximately 2.5 V ( $V_{CC}/2$ ), and forms a high-pass filter with the impedance of the loudspeaker (LS1). The output from the LM386 amplifier circuit is available on the RCA jack, J2 (not installed). Install jumper JP13 to enable the onboard speaker, LS1.

## 3.2. Modem Module Operation

The Si2401FS10-EVB daughter card is a complete modem solution perfectly suited for use in an embedded system. The daughter card requires a 3.3 V supply capable of providing at least 35 mA and communicates

with the system via LVCMOS/TTL-compatible digital signals on JP1. The RJ-11 jack (TIP and RING) is connected via JP2. Be sure to provide the proper power-on reset pulse to the daughter card if it is used in the standalone mode.

### 3.2.1. Reset Requirements

The Si2401 ISModem daughter card must be properly reset at powerup. The reset pin (pin 8) of the Si2401, (JP1, pin 13), must be held low for at least 5.0 ms after power is applied and stabilized and returned high with a rise time less than 100 ns to ensure that the device is properly reset.

### 3.2.2. Crystal Requirements

Clock accuracy and stability are important in modem applications. To ensure reliable communication between modems, the clock must remain within  $\pm 100$  ppm of the design value over the life of the modem. The crystal selected for use in a modem application must have a frequency tolerance of less than  $\pm 100$  ppm for the combination of initial frequency tolerance, drift over the normal operating temperature range, and five-year ageing. Other considerations, such as production variations in PC board capacitance and the tolerance of loading capacitors, must also be taken into account.

### 3.2.3. Protection

The Si2401FS10-EVB meets or exceeds all FCC and international PTT requirements and recommendations for high-voltage surge and isolation testing without any modification. The protection/isolation circuitry includes C1, C2, C8, C9, FB1, FB2, and RV1. The PCB layout is also a key "component" in the protection circuitry. The Si2401FS10-EVB provides isolation to 3 kV. Contact Skyworks Solutions for information about designing to higher levels of isolation.

## 4. Design

The following pages contain the schematics, bill of materials, and layout for the Si2401 including the daughter card and motherboard.

# Si2401FS10-EVB

"Si24xx2G-DC Rev. 1.0 ISOmodem TM"

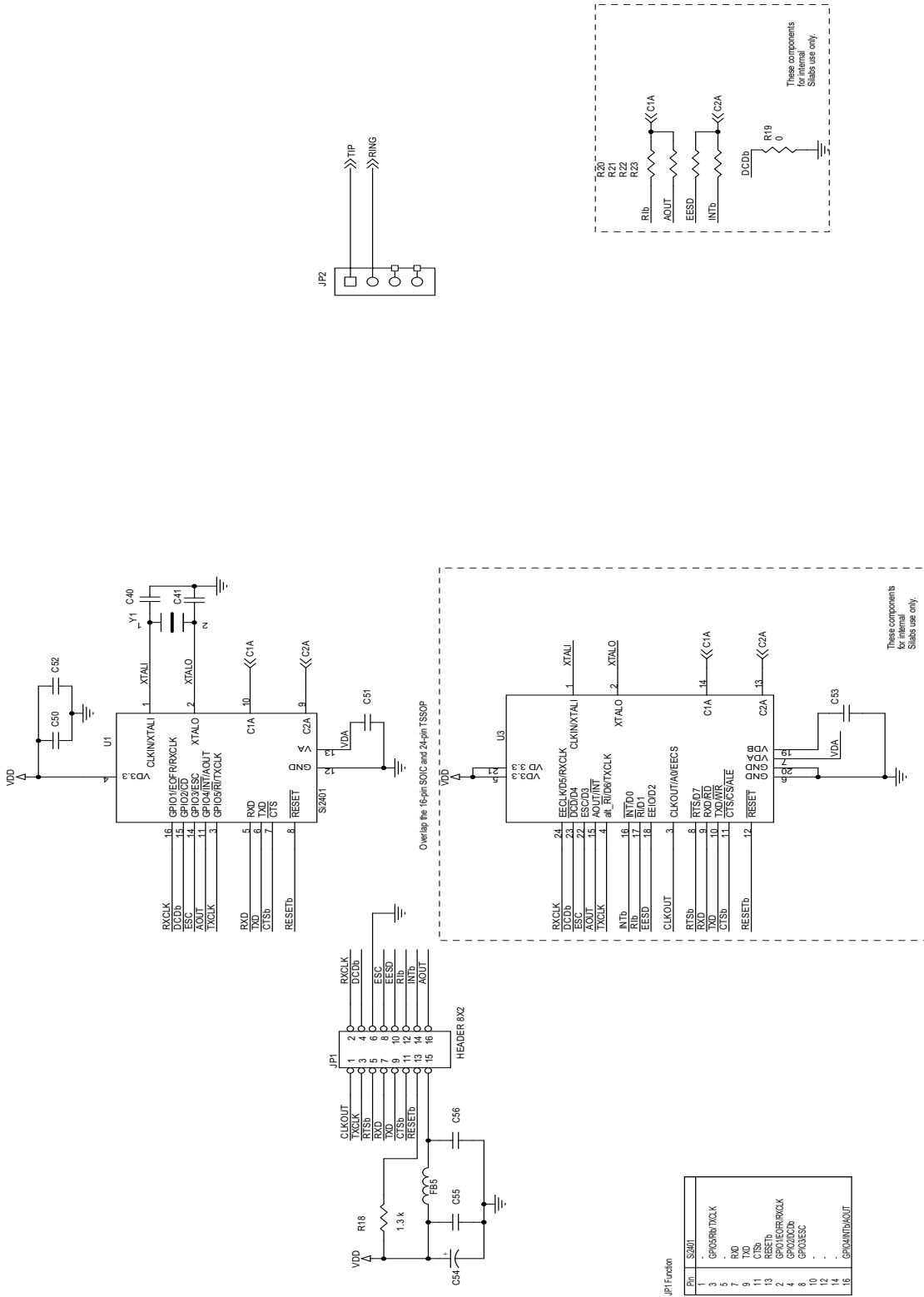


Figure 4. Si2401 Schematic

No Ground Plane In DAA Section

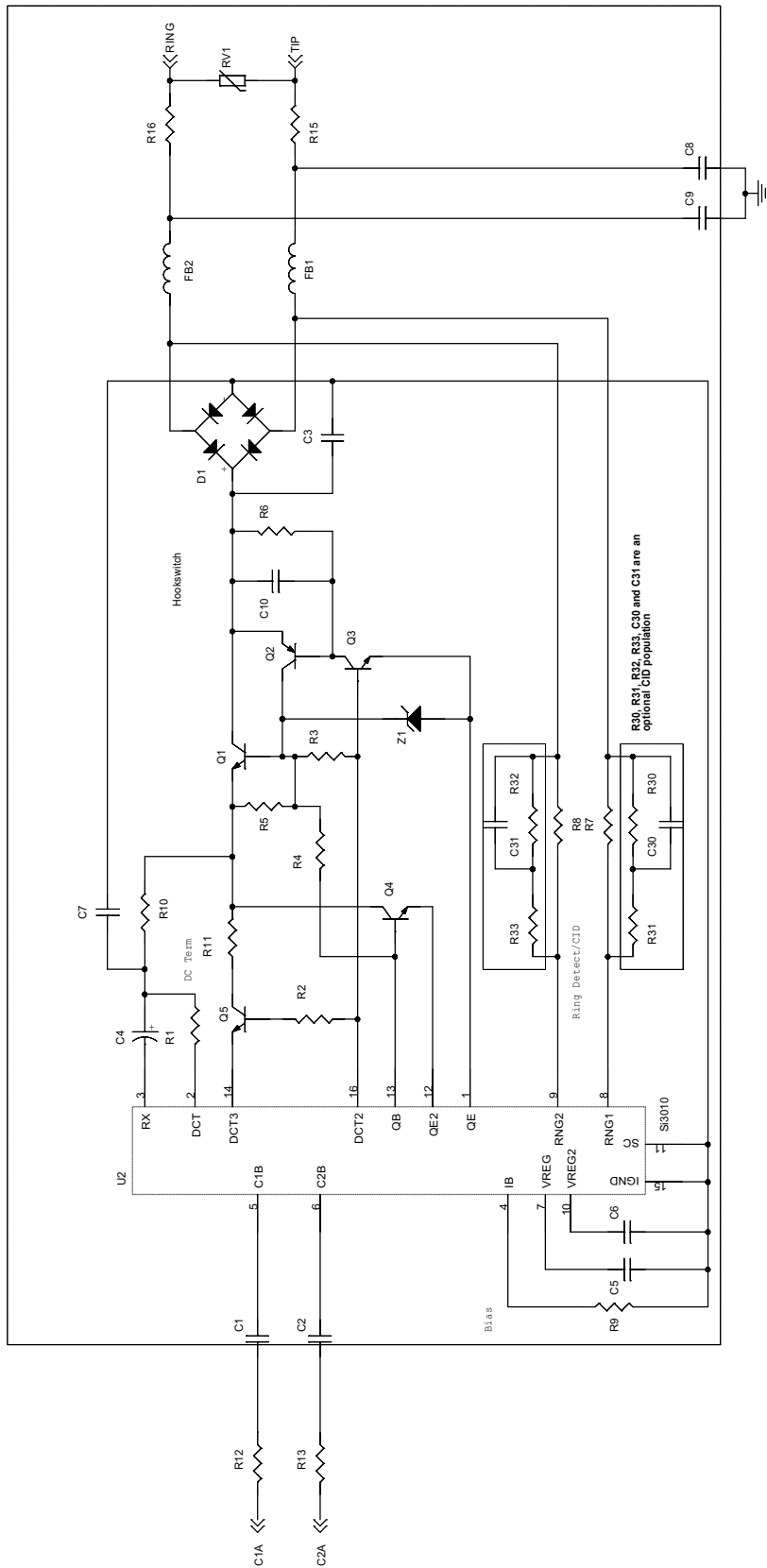


Figure 5. Si3010 DAA Schematic

# Si2401FS10-EVB

## 5. Bill of Materials: Si2401 Daughter Card

Item	Quantity	Reference	Value	Rating	Tolerance	Foot Print	Dielectric	Manufacturer Number	Manufacturer
1	2	C2,C1	33 pF	Y2	±20%	1808	X7R	GA342D1XGF330JY02L	Murata
2	1	C3	10 nF	250 V	±20%	0805	X7R	C0805X7R251-103MNE	Venkel
3	1	C4	1.0 uF	50 V	±20%	Size A	Al	NACE1R0M50V	NIC Components
4	3	C5,C6,C50	0.1 uF	16 V	±20%	0603	Electrolytic	C0603X7R160-104MNE	Venkel
5	1	C7	2.7 nF	50 V	±20%	0603	X7R	C0603X7R500-272MNE	Venkel
6	2	C9,C8	680 pF	Y3	±10%	1808	X7R	GA342QR7GD681KW01L	Murata
7	1	C10	0.01 uF	16 V	±20%	0603	X7R	C0603X7R160-103MNE	Venkel
8	2	C41,C40	33 pF	16 V	±5%	0603	NPO	C0603NPO160-330JNE	Venkel
9	1	C51	0.22 uF	16 V	±20%	0603	X7R	C0603X7R160-104MNE	Venkel
10	1	C54	1.0 uF	10 V	±10%	Case A	Tant	TA010TCM105-KAL	Venkel
11	1	D1	HD04	400 V		Mini-DIP		HD04-T	Diodes, Inc.
12	2	FB2,FB1	Ferrite Bead			0603		BLM18AG601S	MuRata
13	1	FB5	Ferrite Bead			0603		BLM18AG601S	Murata
14	1	JP1	HEADER 8X2			2x8 Surface Mount Header, .1 space		TSM-108-01-T-DV	Samtec
15	1	JP2	4X1 Header_0			CONN1X4-100-SMT		68000-403	Berg
16	2	Q3,Q1	NPN	300 V		SOT-23		MMBTA42LT1	On Semi
17	1	Q2	PNP	300 V		SOT-23		MMBTA92LT1	On Semi
18	2	Q4,Q5	NPN	80 V		SOT-23		MMBTA06LT1	On Semi
19	1	RV1	SiDactor	275 V	100 A	SOD 6		P3100SB	Teccor
20	1	R1	1.07 K	1/2 W	±1%	1210		CR1210-2W-1071FT	Venkel
21	1	R2	150	1/16 W	±5%	0402		CR0402-16W-150JT	Venkel
22	1	R3	3.65 K	1/2 W	±1%	1210		CR1210-2W-3651FT	Venkel
23	1	R4	2.49 K	1/2 W	±1%	1210		CR1210-2W-2491FT	Venkel
24	2	R5,R6	100 K	1/16 W	±5%	0402		CR0402-16W-104JT	Venkel
25	2	R8,R7	20 M	1/8 W	±5%	0805		CR0805-8W-206JT	Venkel
26	1	R9	1 M	1/16 W	±1%	0402		CR0402-16W-1004FT	Venkel
27	1	R10	536	1/4 W	±1%	1206		CR1206-4W-5360FT	Venkel
28	1	R11	73.2	1/2 W	±1%	1210		CR1210-2W-73R2FT	Venkel
29	4	R12,R13,R15,R16	0	1/16 W	±1%	0603		CR0603-16W-000F	Venkel
30	1	U1	Si2401			16pin SOIC		Si2401-KS	Skyworks
31	1	U2	Si3010			16pin SOIC		Si3010-KS	Skyworks
32	1	Y1	4.9152Mhz	20pF load, 150 ESR	50 ppm	ATS-SM		559-FOXSD049-20	CTS Reeves
33	1	Z1	43 V	1/2 W		SOD-123		MMSZ43T1	OnSemi

### Non-installed Components

34	2	C31,C30	120pF	250 V	±10%	0805	X7R	C0805X7R251-121KNE	Venkel
35	2	C55,C56	0.1 uF	10 V	±20%	C0603	X7R	C0603C124K	Kemet
36	1	R18	1.3 k	1/16 W	±5%	RC0603		CR0603-16W-132JT	Venkel
37	5	R19,R20,R21,R22,R23	0	1/16W	±5%	RC0603		CR0603-16W-000J	Venkel
38	2	R32,R30	15M	1/8 W	±5%	0805		CR0805-8W-156JT	Venkel
39	2	R33,R31	5.1M	1/8 W	±5%	0805		CR0805-8W-515JT	Venkel
40	1	C52	0.1 uF	16 V	±20%	0603	X7R	C0603X7R160-104MNE	Venkel
41	1	C53	0.22 uF	16 V	±20%	0603	X7R	C0603X7R160-104MNE	Venkel
42	1	U3	Si24xx			24pin TSSOP			Skyworks

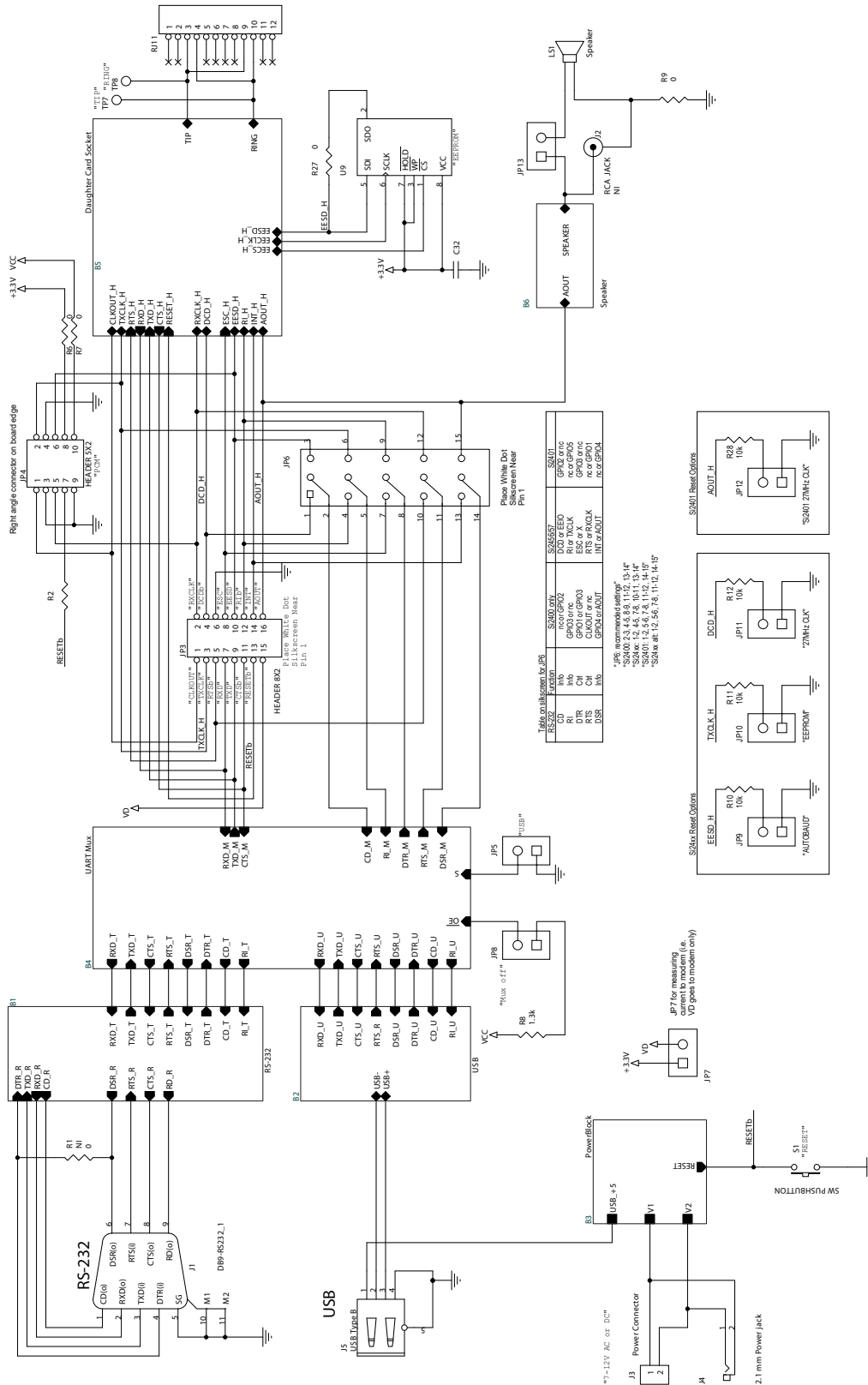
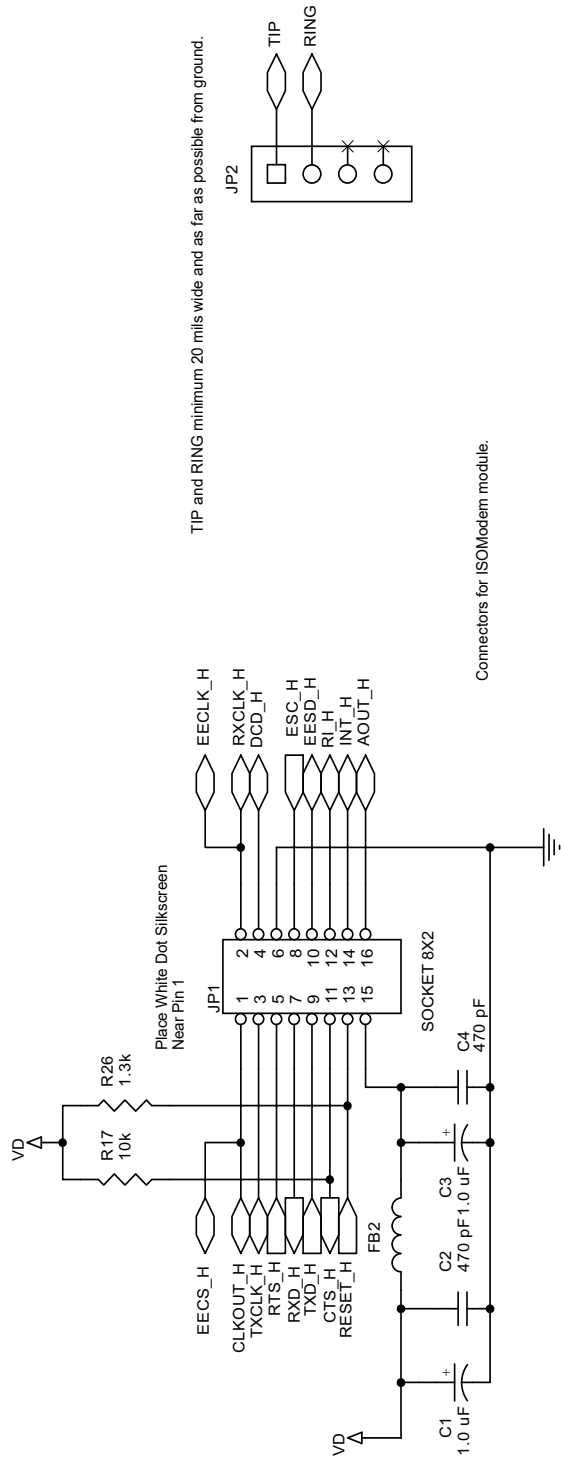


Figure 6. Motherboard Top-level Schematic



Connectors for ISOModem module.

Net names correspond to Si24xx. See table for Si2400 equivalents

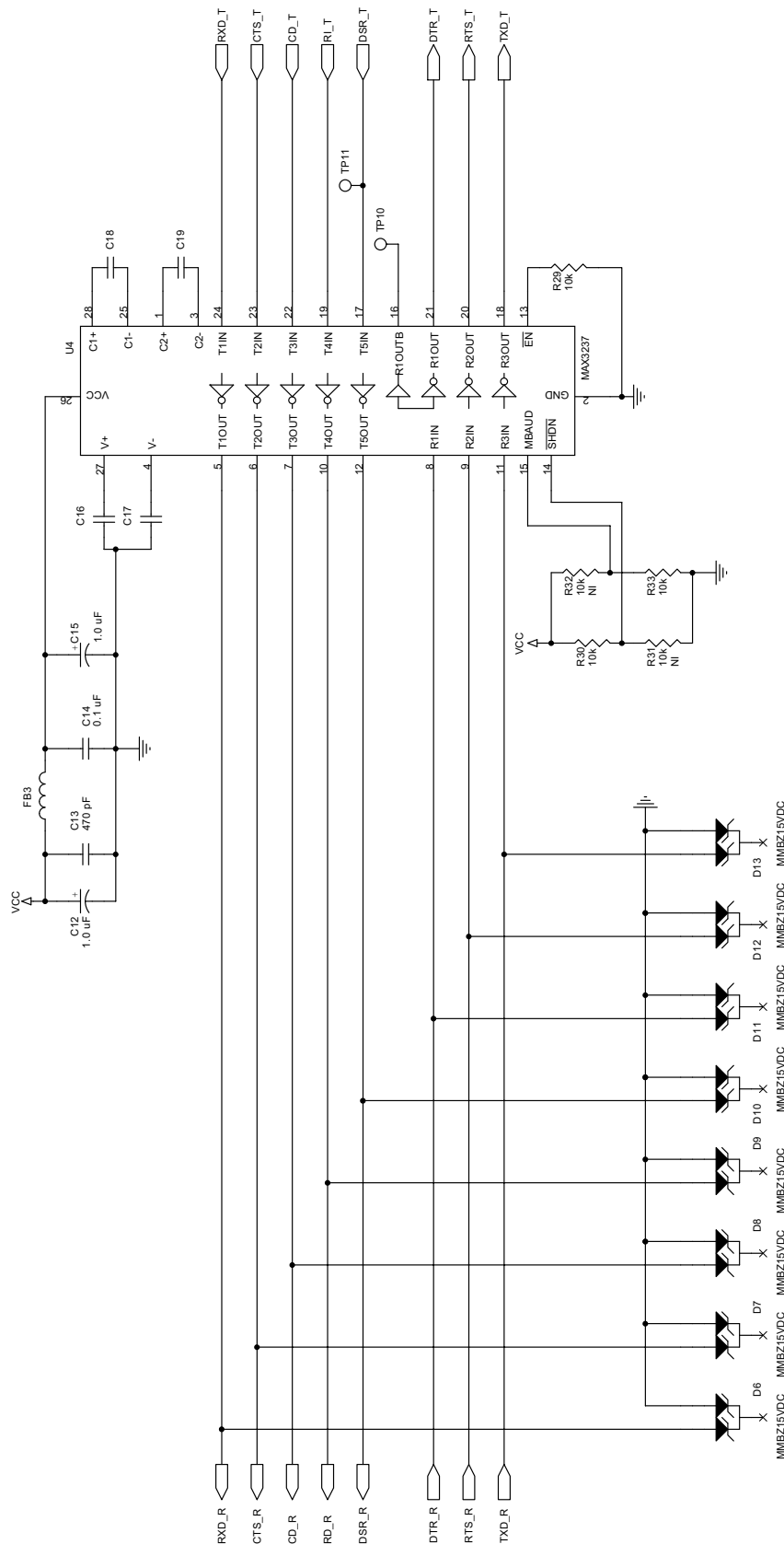
Table NOT on silkscreen

JP1/3	Si2400	Si24xx	Si2401
1	NC	CLKOUT/A0/ECS	NC
2	NC	EECLK/D5/RXCLK	GPI01
3	NC	aILR/aTXCLK/D6	GPI05
4	NC	DC/D04	GPI02
5	CLKOUT	RTS/D7	NC
6	GND	GND	GND
7	TXD	TXD/WR	TXD
8	GPI01	ESC/D3	GPI03
9	RXD	RXD/RD	RXD
10	GPI02	EESS/D2	NC
11	CTS	CTS/CS	CTS
12	GPI03	R/D1	NC
13	RESET	RESET	RESET
14	GPI04	INT/D0	NC
15	VDD	VDD	VDD
16	AOUT	AOUT/INT	GPI04

Figure 7. Daughter Card Interface Schematic



# Si2401FS10-EVB



**Figure 9. RS-232 Interface Schematic**

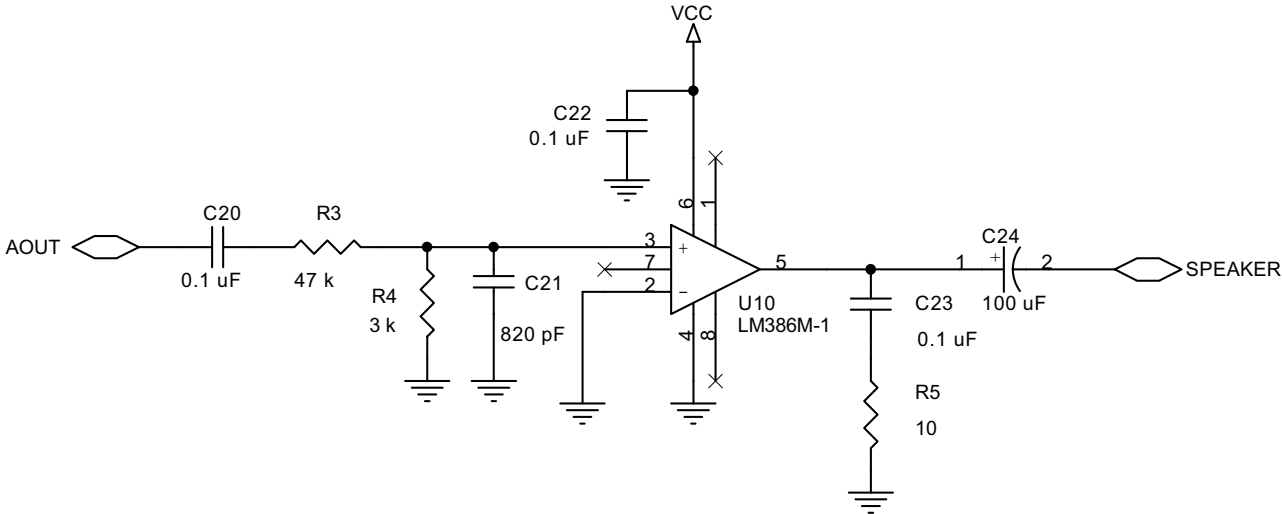


Figure 10. Audio Amplifier Schematic

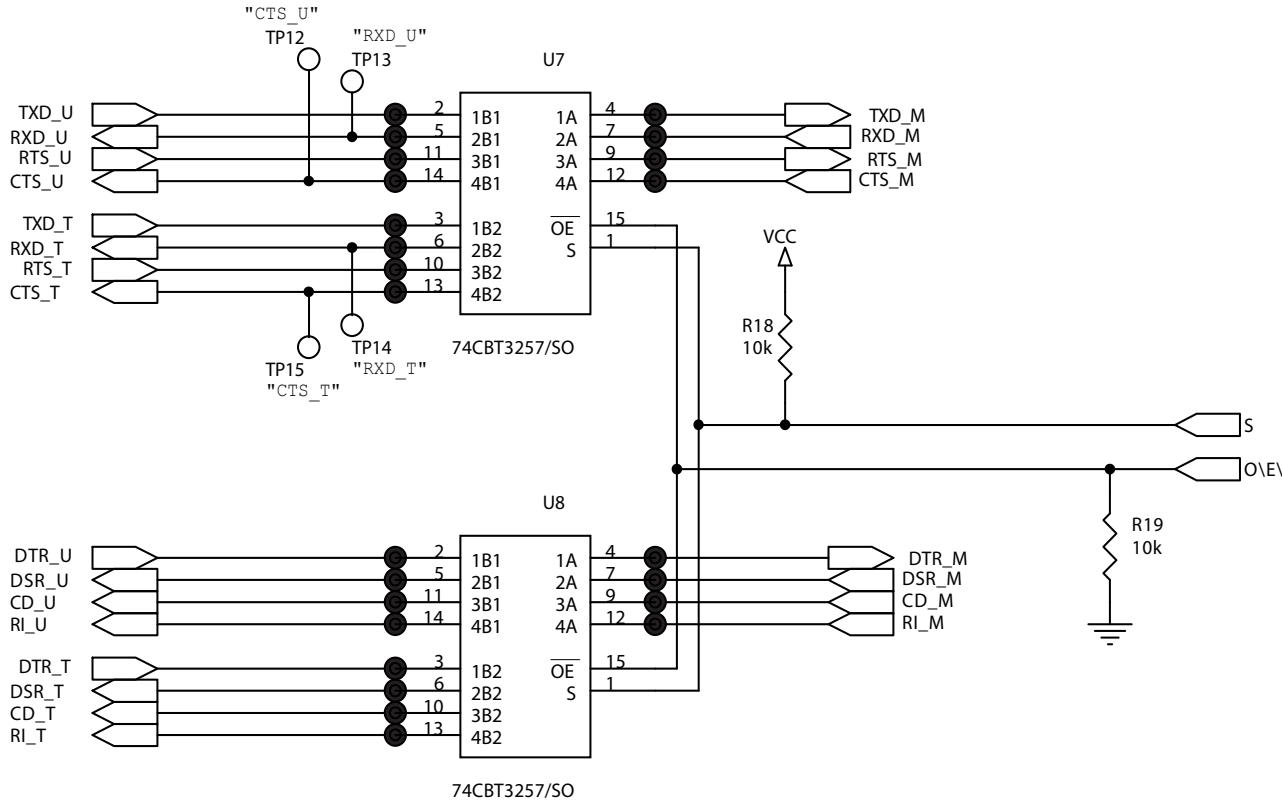


Figure 11. UART Mux Schematic

# Si2401FS10-EVB

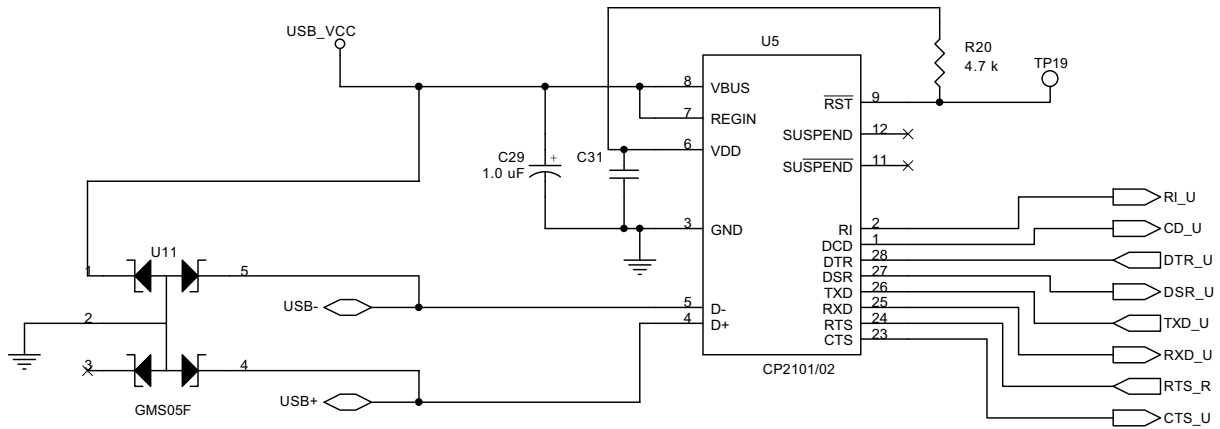


Figure 12. USB Interface Schematic

## 6. Bill of Materials: Si24xx Motherboard

Item	Quantity	Reference	Value	Rating	Tolerance	Foot Print	Dielectric	Manufacturer Number	Manufacturer
1	5	C1,C3,C12,C15,C29	1.0 uF	10 V	±10%	3216_EIAA	Tant	TA010TCM105-KAL	Venkel
2	4	C2,C4,C11,C13	470 pF	25V	±5%	CC0805	X7R	C0805C471J5GACTU	TTI
3	1	C5	10 nF	16 V	±10%	CC0603	X7R	C0603X7R160-103KNE	Venkel
4	1	C6	470 uF	25 V	±20%	C5X10MM-RAD	Electrolytic	UVX1E471MPA	NIC Components
5	2	C7,C9	0.1 uF	25 V	±10%	CC0805	X7R	C0805X7R250-104KNE	Venkel
6	2	C10,C8	10 uF	16V	±10%	CC1206	X7R	C1206X7R100-106KNE	Venkel
7	10	C14,C16,C17,C18,C19,C20,C22,C23,C31,C32	0.1 uF	16 V	±20%	CC0603	X7R	C0603X7R160-104MNE	Venkel
8	1	C21	820 pF	50 V	±5%	CC0805	NPO	C0805COG500-821JNE	Venkel
9	1	C24	100 uF	16 V	±10%	C2.5X6.3MM-RAD	Electrolytic	UVX1C101MEA1TD	Nichicon
10	4	D1,D2,D3,D4	DIODE	30 V	0.5 A	SOD123		MBR0530T1	Motorola
11	1	D5	BAT54C			SOT-23		BAT54C	Diodes Inc.
12	8	D6,D7,D8,D9,D10,D11,D12,D13	MMBZ15VDC			SOT-23		MMBZ15VDC	General Semiconductor
13	3	FB1,FB2,FB3	Ferrite Bead			RC0805		BLM21A601S	Murata
14	1	JP1	SOCKET 8X2			CONN2X8		SSW-108-01-T-D	Samtec
15	1	JP2	4X1 Socket			CONN4[6238]		SSW-104-01-T-S	Samtec
16	1	JP3	HEADER 8X2			CONN2X8		517-6121TN	Samtec
17	1	JP4	HEADER 5X2			CONN2X5[6238]RA		TSW-105-25-T-D-RA	Samtec
18	8	JP5,JP7,JP8,JP9,JP10,JP11,JP12,JP13	2X1 Header			CONN2[6040]		517-611TN	Berg
19	1	JP6	3x5 Header			CONN3X5			
20	1	J1	DB9-RS232_1			CONN9[6543]DBF		K22-E9S-030	Kycon
21	1	J2	RCA JACK			CONN2[12090]RCA		16PJ097	Mouser
22	1	J3	Power Connector			TB2[12065]TSA		506-5ULD02	Mouser
23	1	J4	2.1 mm Power jack			CONN3[175120]PWR		ADC-002-1	Adam Tech
24	1	J5	USB Type B			CONN-USB-B		897-30-004-90-000000	Mill-Max
25	1	LS1	Speaker			HCM12A[9052]		HCM1206A	JL World
26	1	RJ11	MTJG-2-64-2-2-1			RJ11[6238]DUAL		MTJG-2-64-2-2-1	Adam Tech
27	6	R2,R6,R7,R9,R15,R27	0	1/10 W		RC0603		CR0603-10W-000JT	Venkel
28	1	R3	47 k	1/10 W	±5%	RC0805		NRC10J473TR	NIC Components
29	1	R4	3 k	1/10 W	±5%	RC0805		NRC10J302TR	NIC Components
30	1	R5	10	1/10 W	±1%	RC0805		NRC10F10R0TR	NIC Components
31	2	R26,R8	1.3k	1/16 W	±5%	RC0603		CR0603-16W-132JT	Venkel
32	10	R10,R11,R12,R17,R18,R19,R28,R29,R30,R33	10k	1/16 W	±5%	RC0603		CR0603-16W-103JT	Venkel
33	1	R13	1.6	1/8 W	-0.05	RC1206		CR1206-8W-1R6JT	Venkel
34	1	R14	196k			RC0805		MCHRIDEZHFX1963E	Classic Comp
35	1	R16	110k			RC0805		CR21-114J-T	Classic Comp
36	1	R20	4.7 k	1/10 W	±5%	RC0805		NRC10J472TR	NIC Components
37	1	S1	SW			SW4[6240]PB		101-0161	Mouser
			PUSHBUTTON						
38	3	TP1,TP2,TP18	Black Test Point			CONN1[6040]		151-203	Mouser
39	4	TP3,TP4,TP5,TP6	Stand off			MH-125			
40	8	TP7,TP8,TP10,TP11,TP12,TP13,TP14,TP15	Blue Test Point			CONN1[6040]		151-205	Mouser
41	2	TP16,TP17	Red Test Point			CONN1[6040]		151-207	Mouser
42	1	TP19	Blue Test Point			CONN1[6040]		151-207	Mouser
43	1	U1	7805			TO-220-LD		uA7805CKC	Texas Instruments
44	1	U2	TPS77601DR			SO8		TPS77601DR	Texas Instruments
45	1	U3	DS1818			SOT-23		DS1818-10	Dallas Semiconductor
46	1	U4	MAX3237			SOP65X780-28N		MAX3237E (Sipex SP3238E 2nd source)	Maxim
47	1	U5	CP2101/02			28-pin MLP		CP2101/02	Skyworks Solutions
48	2	U8,U7	74CBT3257/SO			SOP65X780-16N		SN74CBT3257DBR	Texas Instruments
49	1	U9	PDIP Socket			DIP8-SKT		210-93-308-41-001000	Mill-Max
50	1	U10	OP-AMP			SO8		LM386M-1	National Semi
51	1	U11	GMS05F			SOT-23-5N		GMS05F	Vishay



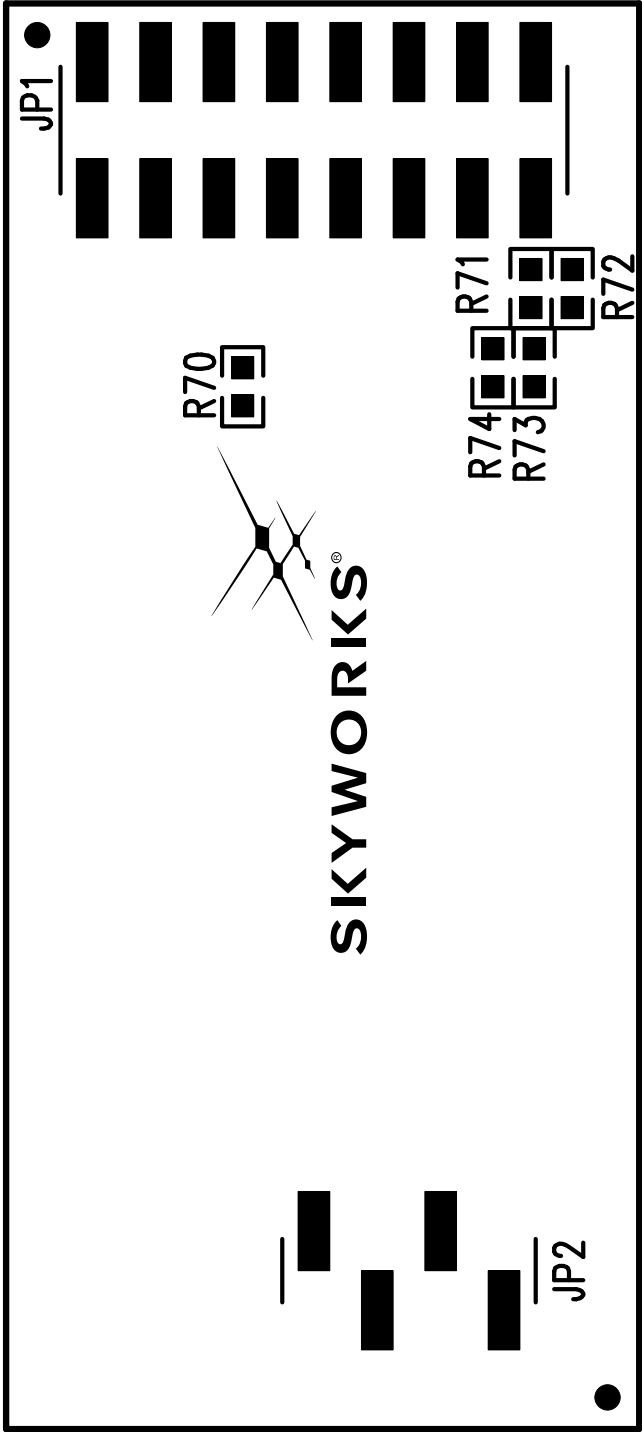


Figure 14. Daughter Card Solder Side Silkscreen

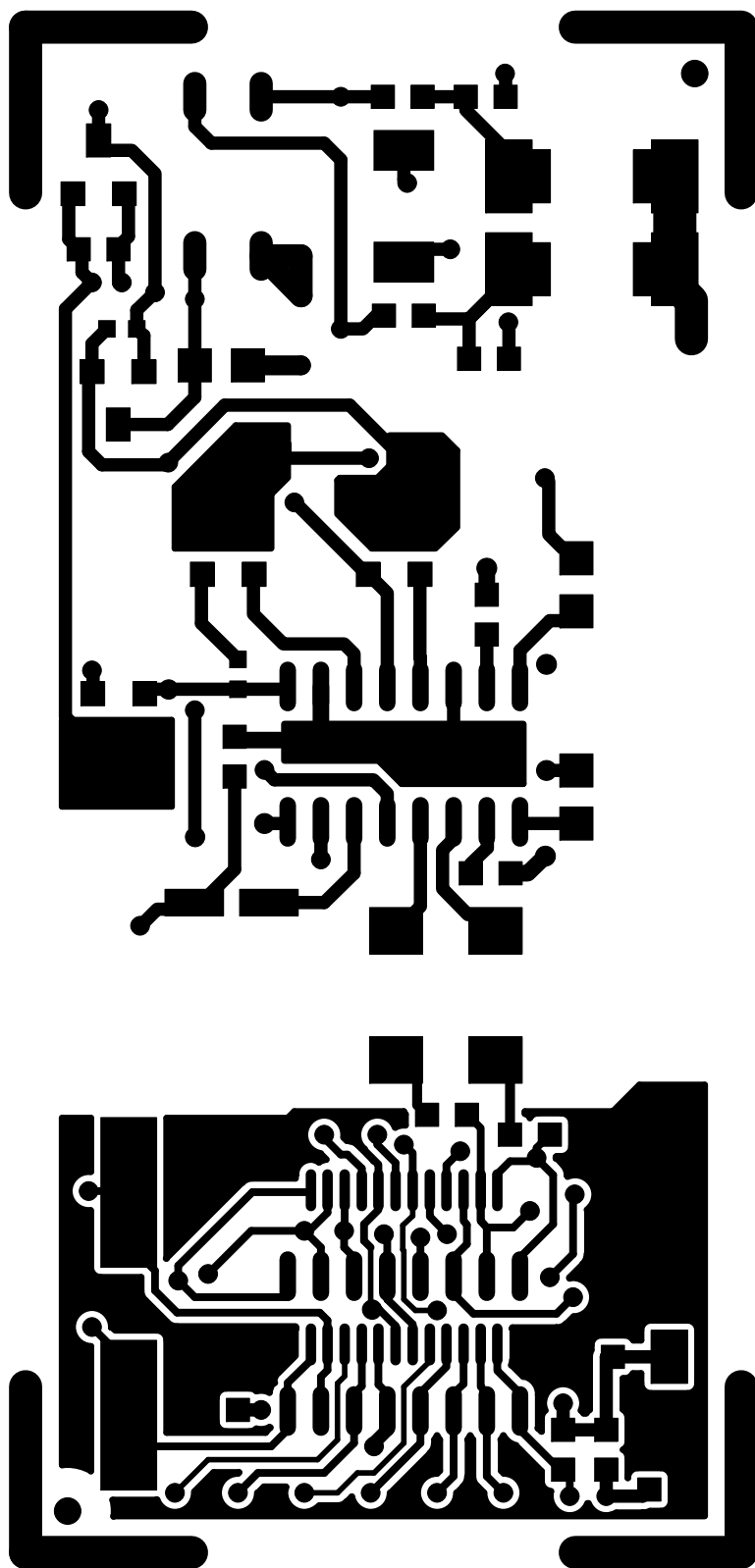


Figure 15. Daughter Card Component Side Layout

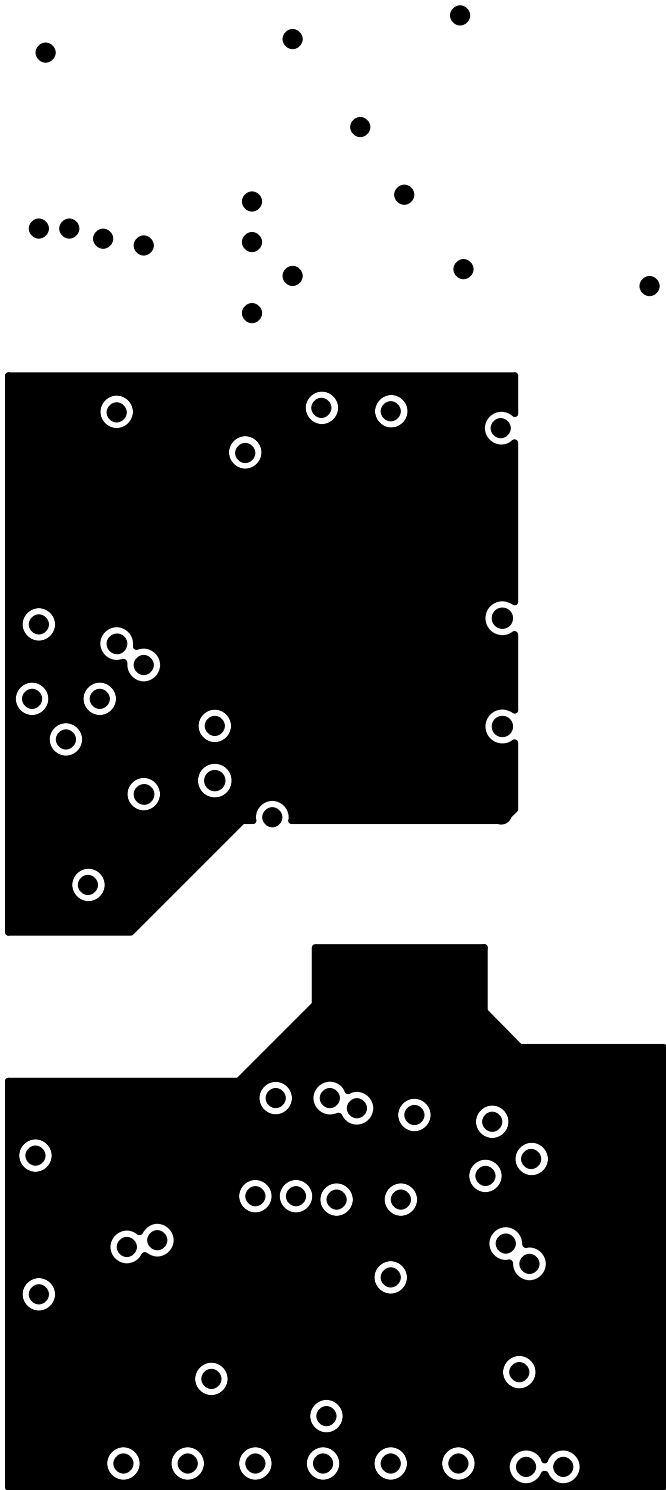


Figure 16. Daughter Card Ground Plane

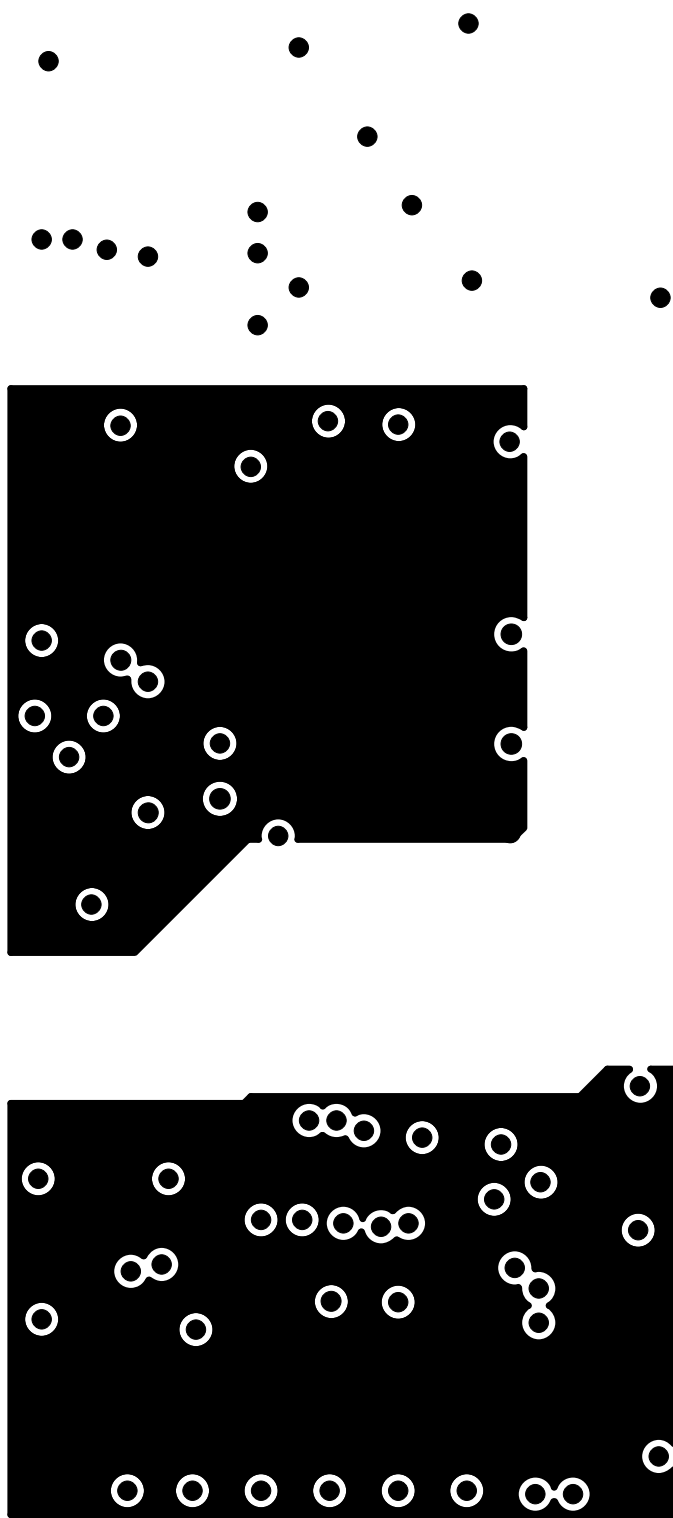


Figure 17. Daughter Card Power Plane

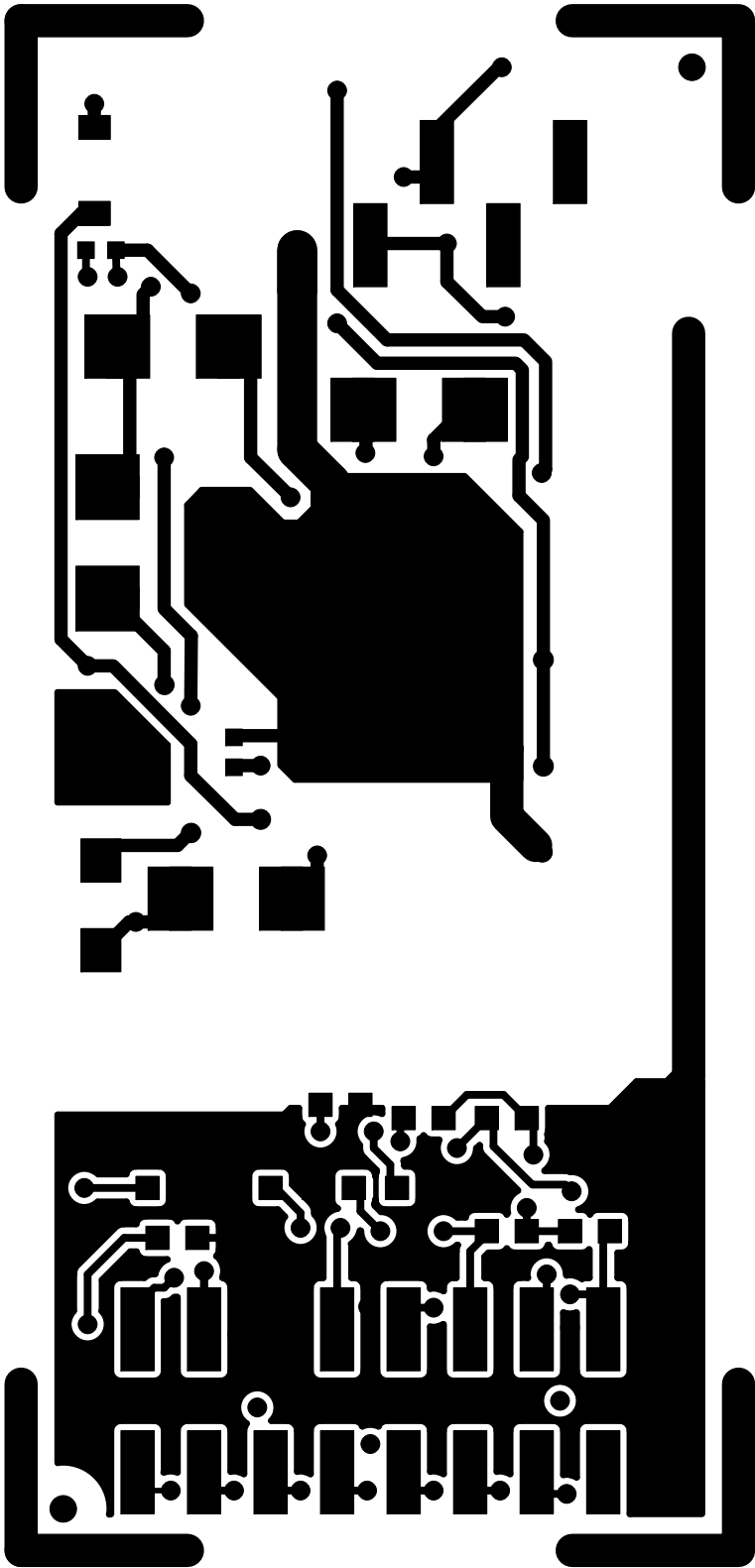


Figure 18. Daughter Card Solder Side Layout

# Si2401FS10-EVB

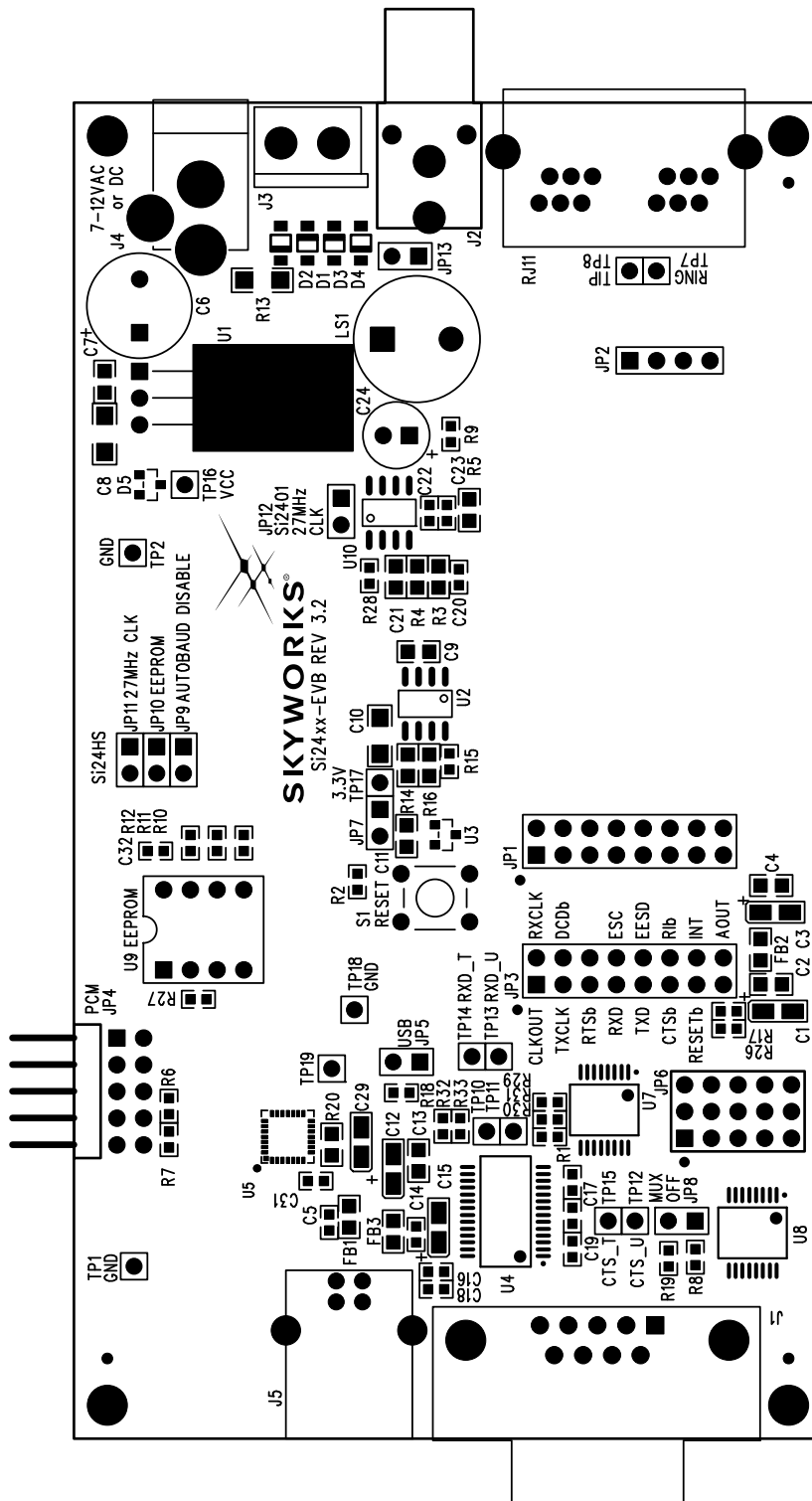
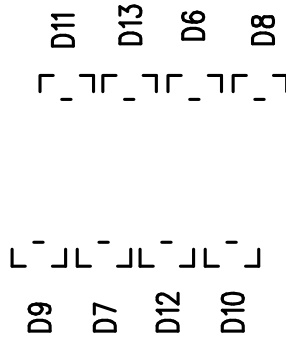


Figure 19. Motherboard Silkscreen (Front Side)

U11



Si2401	Si24HS	Si2400	Function	RS-232
GPI02 or NC	DCD or EESD	NC or GPIO2	Info	CD
NC or GPIO5	RI or TXCLK	GPIO3 or NC	Info	RI
GPI03 or NC	ESC or X	GPI01 or GPIO3	Ctrl	DTR
NC or GPIO1	RTS or RXCLK	CLKOUT or NC	Ctrl	RTS
NC or GPIO4	INT or AOUT	GPIO4 or AOUT	Info	DSR

JP6 recommended settings  
 Si2400: 2-3, 4-5, 8-9, 11-12, 13-14  
 Si24HS: 1-2, 4-5, 7-8, 10-11, 13-14  
 Si2401: 1-2, 5-6, 7-8, 11-12, 14-15  
 Si24HS alt: 1-2, 5-6, 7-8, 11-12, 14-15

Figure 20. Motherboard Silkscreen (Back Side)

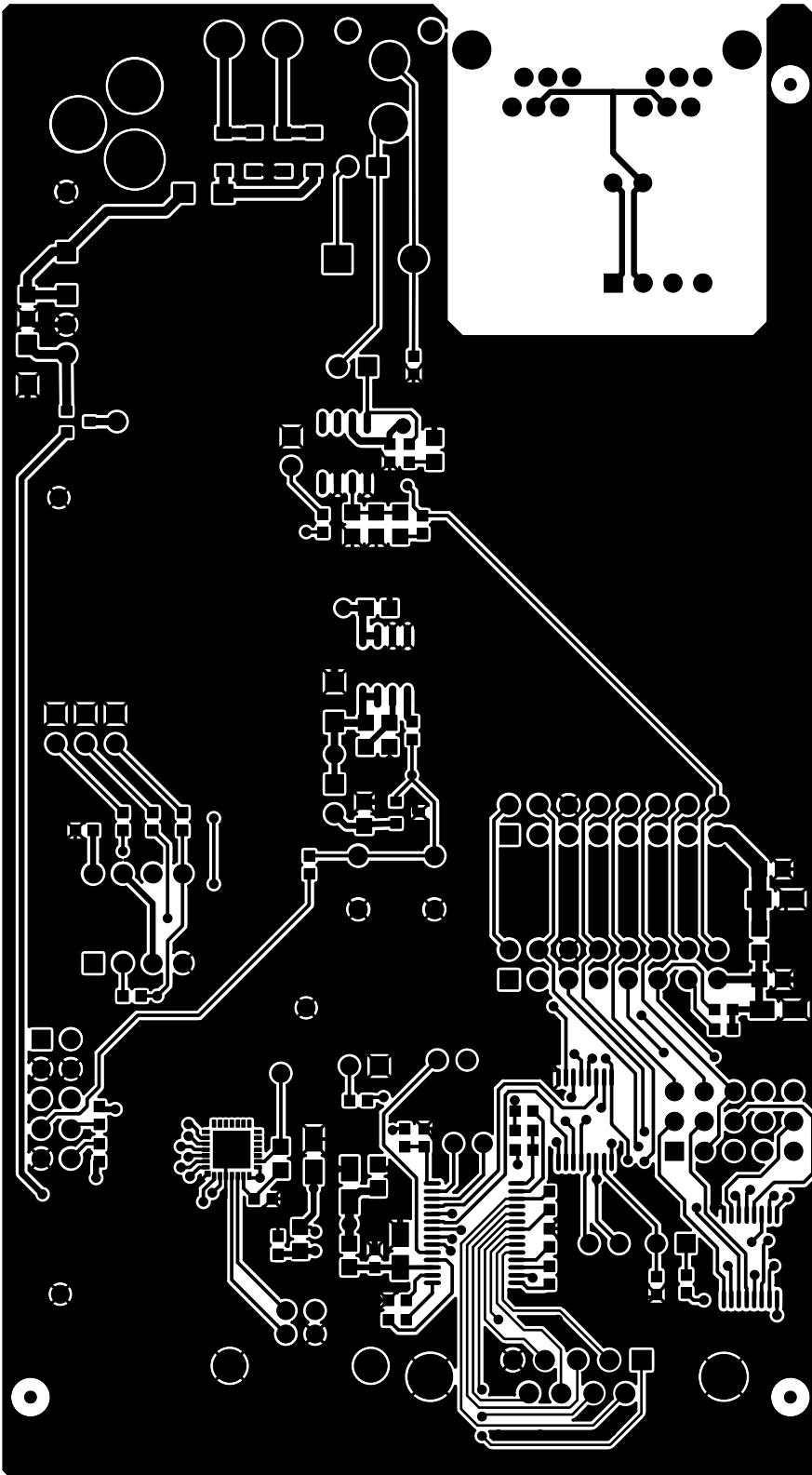


Figure 21. Motherboard Component Side Layout

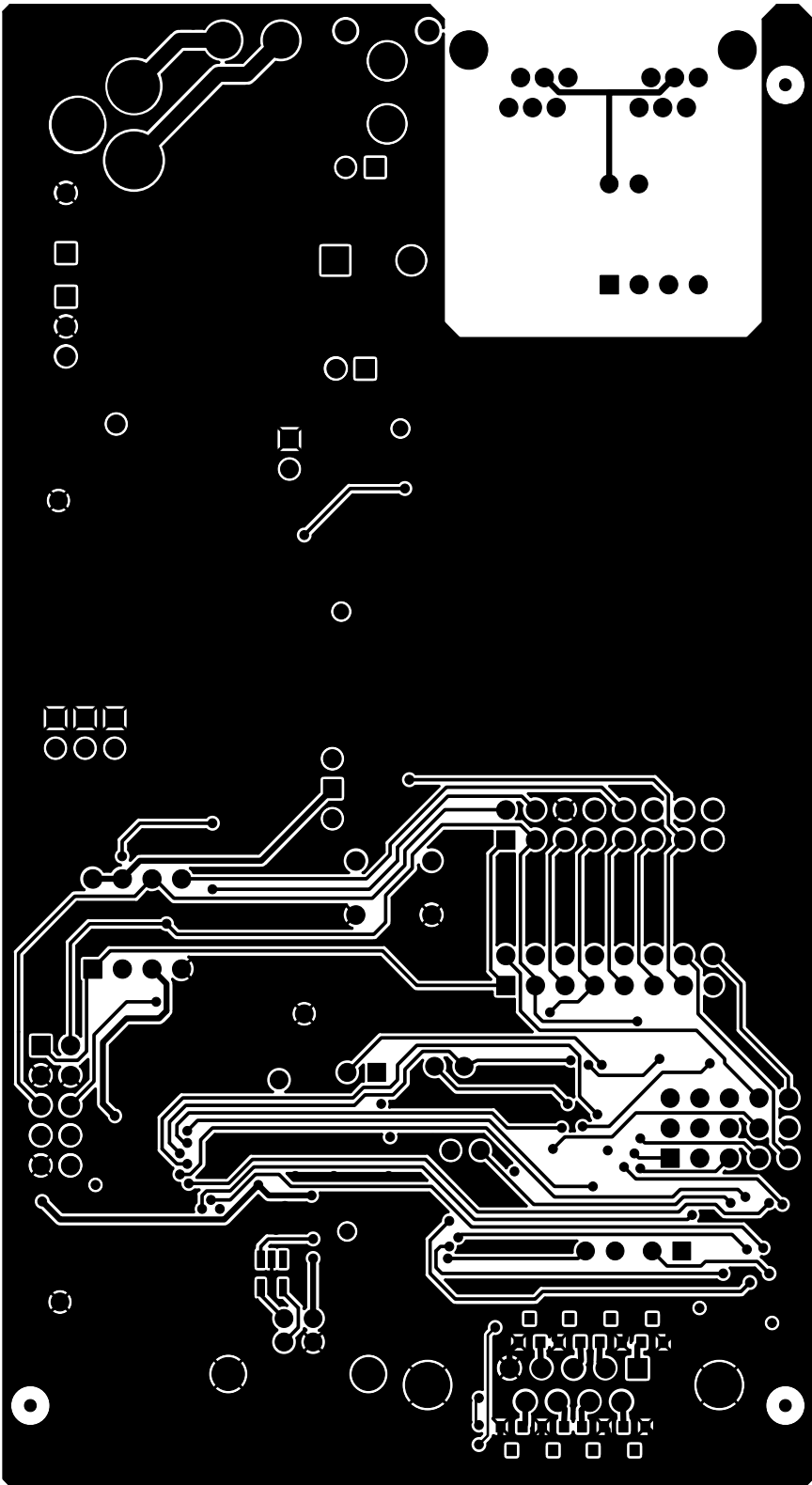


Figure 22. Motherboard Solder Side Layout

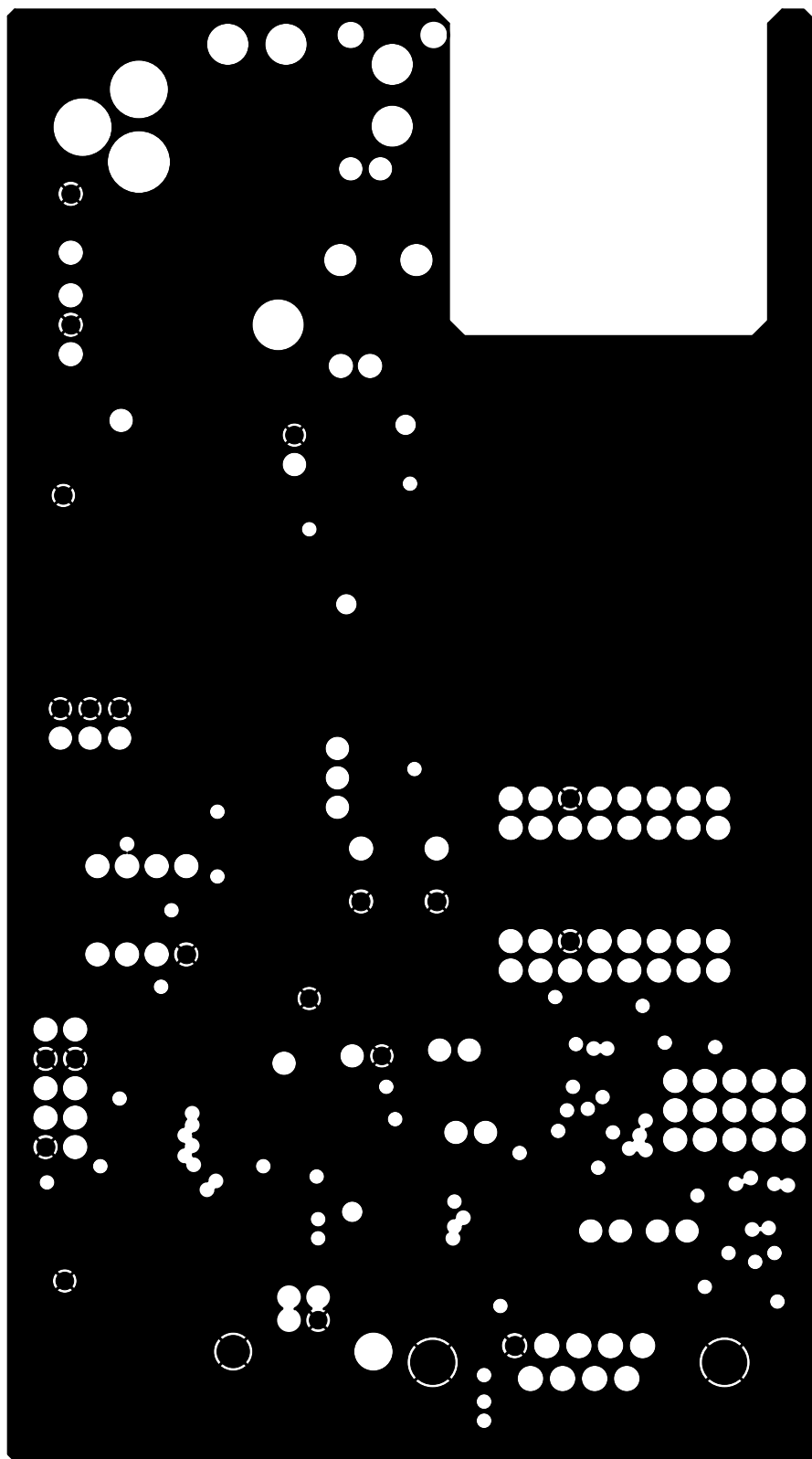


Figure 23. Motherboard Ground Plane Layout

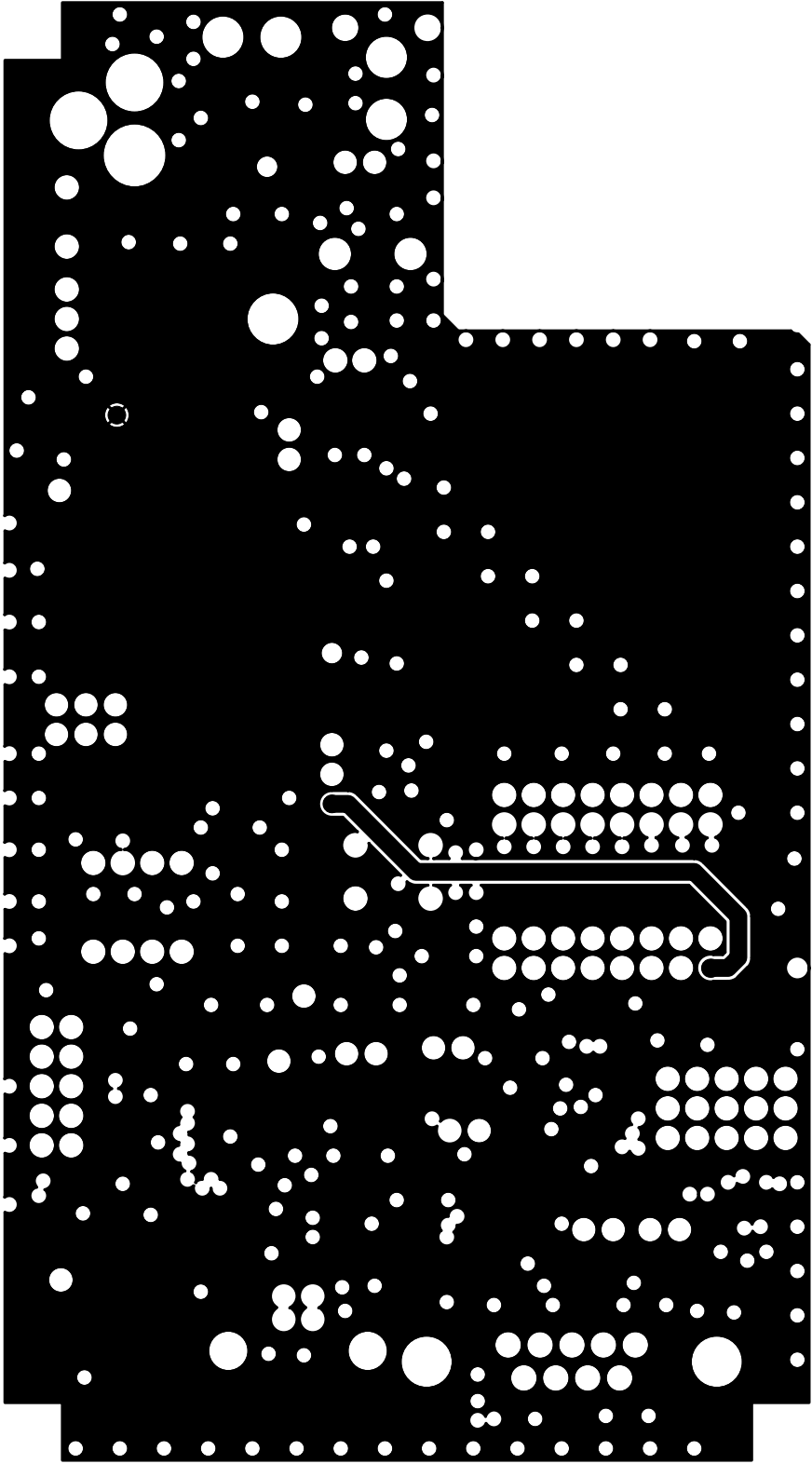


Figure 24. Motherboard Power Plane Layout

# Si2401FS10-EVB

---

## 7. Complete Design Package (see sales representative for details)

Skyworks Solutions can provide a complete design package of the Si2401FS10-EVB including the following:

OrCad Schematics

Gerber Files

BOM

Documentation

Please contact your local sales representative or Skyworks Solutions headquarter sales for ordering information.

## DOCUMENT CHANGE LIST

### Revision 0.6 to Revision 0.7

- Changed from Rev 1.0 to Rev 3.1 Motherboard.

### Revision 0.7 to Revision 0.8

- Changed from Rev.1.0 to Rev.1.1 Daughter Card.

### Revision 0.8 to Revision 0.9

- Changed from Rev.3.1 to Rev.3.2 Motherboard.

### Revision 0.9 to Revision 1.0

- Changed from Rev.1.1 to Rev.1.2 Daughter Card.

### Revision 1.0 to Revision 1.1

- Updated "Introduction," on page 2.
- Updated "Si2401FS10-EVB Quick Start—RS-232 Interface," on page 2.
- Updated "Si2401 FS10-EVB Quick Start—USB Interface," on page 2.



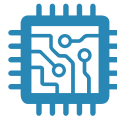
# SKYWORKS®

**Connecting Everyone  
and Everything,  
All the Time**



**Portfolio**

[www.skyworksinc.com](http://www.skyworksinc.com)



**Quality**

[www.skyworksinc.com/quality](http://www.skyworksinc.com/quality)



**Support & Resources**

[www.skyworksinc.com/support](http://www.skyworksinc.com/support)

**Copyright © 2021 Skyworks Solutions, Inc. All Rights Reserved.**

Information in this document is provided in connection with Skyworks Solutions, Inc. ("Skyworks") products or services. These materials, including the information contained herein, are provided by Skyworks as a service to its customers and may be used for informational purposes only by the customer. Skyworks assumes no responsibility for errors or omissions in these materials or the information contained herein. Skyworks may change its documentation, products, services, specifications or product descriptions at any time, without notice. Skyworks makes no commitment to update the materials or information and shall have no responsibility whatsoever for conflicts, incompatibilities, or other difficulties arising from any future changes.

No license, whether express, implied, by estoppel or otherwise, is granted to any intellectual property rights by this document. Skyworks assumes no liability for any materials, products or information provided hereunder, including the sale, distribution, reproduction or use of Skyworks products, information or materials, except as may be provided in Skyworks' Terms and Conditions of Sale.

THE MATERIALS, PRODUCTS AND INFORMATION ARE PROVIDED "AS IS" WITHOUT WARRANTY OF ANY KIND, WHETHER EXPRESS, IMPLIED, STATUTORY, OR OTHERWISE, INCLUDING FITNESS FOR A PARTICULAR PURPOSE OR USE, MERCHANTABILITY, PERFORMANCE, QUALITY OR NON-INFRINGEMENT OF ANY INTELLECTUAL PROPERTY RIGHT; ALL SUCH WARRANTIES ARE HEREBY EXPRESSLY DISCLAIMED. SKYWOKS DOES NOT WARRANT THE ACCURACY OR COMPLETENESS OF THE INFORMATION, TEXT, GRAPHICS OR OTHER ITEMS CONTAINED WITHIN THESE MATERIALS. SKYWOKS SHALL NOT BE LIABLE FOR ANY DAMAGES, INCLUDING BUT NOT LIMITED TO ANY SPECIAL, INDIRECT, INCIDENTAL, STATUTORY, OR CONSEQUENTIAL DAMAGES, INCLUDING WITHOUT LIMITATION, LOST REVENUES OR LOST PROFITS THAT MAY RESULT FROM THE USE OF THE MATERIALS OR INFORMATION, WHETHER OR NOT THE RECIPIENT OF MATERIALS HAS BEEN ADVISED OF THE POSSIBILITY OF SUCH DAMAGE.

Skyworks products are not intended for use in medical, lifesaving or life-sustaining applications, or other equipment in which the failure of the Skyworks products could lead to personal injury, death, physical or environmental damage. Skyworks customers using or selling Skyworks products for use in such applications do so at their own risk and agree to fully indemnify Skyworks for any damages resulting from such improper use or sale.

Customers are responsible for their products and applications using Skyworks products, which may deviate from published specifications as a result of design defects, errors, or operation of products outside of published parameters or design specifications. Customers should include design and operating safeguards to minimize these and other risks. Skyworks assumes no liability for applications assistance, customer product design, or damage to any equipment resulting from the use of Skyworks products outside of Skyworks' published specifications or parameters.

Skyworks, the Skyworks symbol, Sky5®, SkyOne®, SkyBlue™, Skyworks Green™, Clockbuilder®, DSPLL®, ISOModem®, ProSLIC®, and SiPHY® are trademarks or registered trademarks of Skyworks Solutions, Inc. or its subsidiaries in the United States and other countries. Third-party brands and names are for identification purposes only and are the property of their respective owners. Additional information, including relevant terms and conditions, posted at [www.skyworksinc.com](http://www.skyworksinc.com), are incorporated by reference.

## Looking for pricing, stock, or lifecycle information?

Click below to explore more details on WIN SOURCE:

- ⊖ [View SI2401FS10-EVB on WIN SOURCE](#)
- ⊖ [Skyworks Solutions Inc. Information](#)

## Optimize Your Supply Chain with WIN SOURCE Solutions

- ✓ Global Sourcing Solution
- ✓ Obsolete Management
- ✓ Cost Control Management
- ✓ Shortage Management
- ✓ Alternative Solution
- ✓ Excess Inventory Management