



THE DATASHEET OF SRC4382EVM-PDK



SRC4382EVM-PDK and SRC4392EVM-PDK User's Guide

This user's guide provides a reference document for the SRC4382EVM-PDK and SRC4392EVM-PDK product development kits. The kits include either an SRC4382EVM or an SRC4392EVM daughterboard, as well as a DAIMB motherboard. Together, the daughter and mother boards form a modular platform for evaluating the function and performance of the Texas Instruments' SRC4382 and SRC4392 integrated circuits. Applications software is provided with the PDK for writing and reading registers and data buffers integral to the SRC4382 and SRC4392 devices. The software communicates with the device under test using the USB slave interface on the DAIMB board. The software requires a host PC running the Microsoft Windows™ 2000 or XP operating system.

Throughout this document, the acronym *EVM* and the phrase *evaluation module* are synonymous with the SRC4382EVM and SRC4392EVM. The acronym *PDK* refers to the daughterboard EVM and DAIMB motherboard combination. This document includes information regarding absolute operating conditions, hardware configuration, and software installation and operation. Complete electrical schematics and a bill of materials for both the EVM and the DAIMB boards are also included.

Contents

1	Introduction	2
2	Quick Start	3
3	Software Overview, Installation, and Operation	9
4	Hardware Reference	14

List of Figures

1	Illustration of the PDK Platform Utilizing a DAIMB Motherboard and a Daughterboard EVM	2
2	Power-Supply Jumper Configuration (DAIMB Motherboard)	5
3	PDK Power, Host, and Input/Output Connections.....	8
4	Applications Software Window (USB Serial Commander).....	10
5	Example of a Readback Display and Break Message in the USB Serial Commander Application	12
6	Electrical Schematic: SRC4382/92EVM Daughterboard.....	15
7	Electrical Schematic: DAIMB Motherboard, Page 1	16
8	Electrical Schematic: DAIMB Motherboard, Page 2	17

List of Tables

1	Absolute Operating Conditions	4
2	Jumper JMP3 Configuration (EVM Daughterboard)	5
3	Jumper JMP4 Configuration (EVM Daughterboard)	5
4	Jumper JMP5 Configuration (EVM Daughterboard)	5
5	Jumper JMP1, RX4 Input Selection (EVM Daughterboard).....	6
6	Audio Serial Port Slave/Master Switch Configuration (DAIMB Motherboard)	6
7	USB SPI Port Configuration (DAIMB Motherboard)	6
8	MCLK1 Clock Source Selection (DAIMB Daughterboard)	7
9	MCLK2 Clock Source Selection (DAIMB Daughterboard)	7

I²C, I²S are trademarks of Koninklijke Philips Electronics N.V.
Windows is a trademark of Microsoft Corporation.
SPI is a trademark of Motorola, Inc.
NI-VISA is a trademark of National Instruments.
WinZip is a trademark of WinZip International, LLC.
All other trademarks are the property of their respective owners.

10	SRC Output Mute Configuration (EVM Daughterboard).....	7
11	SRC4382/4392 Control Port Mode Configuration (EVM Daughterboard).....	7
12	I ² C 7-Bit Slave Address Configuration (EVM Daughterboard).....	8
13	SPI Command Syntax.....	12
14	I ² C Command Syntax.....	13
15	Bill of Materials for the SRC4382/92EVM.....	18
16	Bill of Materials for the DAIMB.....	19

1 Introduction

The SRC4382EVM-PDK and the SRC4392EVM-PDK provide a modular solution for evaluating the function and performance of the SRC4382 and SRC4392 devices from Texas Instruments. The PDK includes a motherboard (the DAIMB) and a daughterboard (the EVM). [Figure 1](#) depicts the modular platform concept, with the EVM plugged into the DAIMB board. Connectors are indicated and labeled for ease of identification.

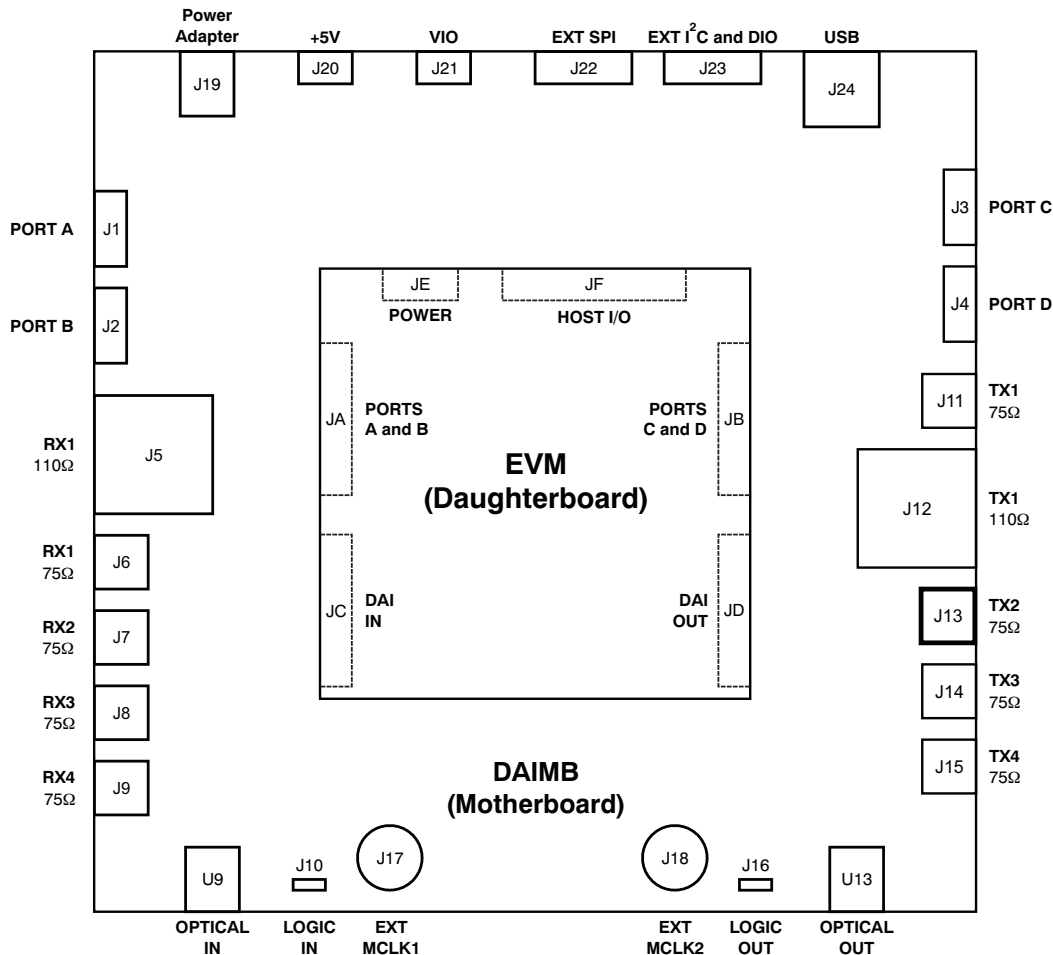


Figure 1. Illustration of the PDK Platform Utilizing a DAIMB Motherboard and a Daughterboard EVM

The modular design allows for common functions to be integrated onto the DAIMB motherboard, while device-specific functions are integrated onto the daughterboard EVM. The modular platform supports a variety of digital audio interface devices by simply replacing the daughterboard EVM shipped with the product specific PDK. Texas Instruments products supported by this modular platform include digital audio interface receivers, transmitters, transceivers, and combination SRC/transceiver products.

The primary features of the SRC4382EVM-PDK and SRC4392EVM-PDK include:

- A USB slave interface, implemented with a Texas Instruments TAS1020B USB controller, and supported by computers running Microsoft Windows 2000 or XP. The USB interface supports bus or self-powered operation, and communicates with the EVM daughter board via an SPI™ or I²C™ interface.
- Buffered headers support up to four audio serial port interfaces, compatible with I²S™-style or time-division multiplexed (TDM) data formats. Only two of these ports are utilized for the SRC4382EVM and SRC4392EVM.
- Six digital audio input ports support AES3 balanced inputs, S/PDIF coaxial and optical sources, and CMOS logic level inputs.
- Six digital audio output ports support AES3 balanced, S/PDIF coaxial and optical, and CMOS logic level outputs. Three of the ports are utilized for the SRC4382EVM and SRC4392EVM.
- Flexible reference and master clock generation are supported, using either onboard oscillators or external clock sources.
- Power may be provided from a Barrel Plug, 2.5 mm I.D. × 5.5 mm O.D. × 9.5 mm wall adapter (not included), or an external +5-V regulated power supply. An optional external logic I/O (or VIO) supply connection is also supported.
- Onboard linear regulators derive +1.8V, +3.3V, and +5V power supplies from the supplied power adapter, external supplies, and/or the USB bus connection.
- LED indicators are provided for DIR Lock and SRC Ready output flags.
- Applications software provides functions for writing and reading the on-chip registers and data buffers. The applications software is compatible with personal computers with at least one USB 1.x or 2.0 port running the Microsoft Windows 2000 or XP operating systems.

2 Quick Start

This section provides information regarding handling, package contents, and the absolute operating conditions for the SRC4392/82EVM.

2.1 *Electrostatic Discharge Warning*

WARNING

Failure to observe proper ESD handling precautions may result in damage to EVM components.

Many of the components used in the assembly of the PDK are susceptible to damage by electrostatic discharge (ESD). Customers are advised to observe proper ESD handling procedure when unpacking and handling the PDK components. All handling should be performed at an approved ESD workstation or test bench, using a grounded wrist strap. Failure to observe proper handling procedure may result in damage to EVM components.

2.2 Product Development Kit (PDK) Package Contents

Either the SRC4382EVM or SRC4392EVM is included as part of a complete evaluation module package, referred to as a Product Development Kit, or PDK. Each PDK package includes:

- One SRC4382EVM or SRC4392EVM board, depending upon the PDK ordered.
- One DAIMB board.
- One printed copy of this SRC4382EVM-PDK and SRC4392EVM-PDK User's Guide.
- One printed copy of the [SRC4382](#) or [SRC4392](#) datasheet, depending upon the PDK ordered.
- One USB cable (Type A to Type B male plugs).
- One CD-ROM containing the EVM applications software, support files, and documentation.

2.3 Absolute Operating Conditions

CAUTION

Exceeding the absolute operating conditions may result in improper EVM operation or damage to the evaluation module and/or the equipment connected to it.

The user should be aware of the absolute operating conditions for the PDK. [Table 1](#) summarizes these conditions.

Table 1. Absolute Operating Conditions

	Min	Max	Units
Power Supplies			
Power Adapter (J19)	+6.0	+10.0	VDC
EXT +5V (J20)	-0.3	+5.5	VDC
EXT VIO	-0.3	+3.6	VDC
Digital Input Voltage Range			
daughterboard Connectors (JA-JD,JF)	-0.3	+3.6	V
PORT A through PORT D (J1-J4)	-0.3	+3.6	V
EXT SPI and EXT I ² C & DIO (J22 and J23)	-0.3	+3.6	V
RX1 Balanced Input (J5), measured differentially	—	7.2	V _{PP}
RX1 Unbalanced Input (J6)	—	3.6	V _{PP}
RX2 through RX4 (J7-J9)	—	3.6	V _{PP}
EXT MCLK1 and EXT MCLK2 (J17 and J18)	-0.3	+3.6	V
LOGIC INPUT (J10)	-0.3	+5.5	V
PDK Operating Temperature	0	+70	°C

2.4 Jumper Configuration

This sub-section provides an overview of the required jumper configuration for both the DAIMB motherboard and EVM daughterboard. Refer to the electrical schematics included in [Section 4](#) of this document for connection details, as well as jumper functions that may not be discussed in this section.

2.4.1 Power Supply Jumpers

Power-supply configuration for the PDK is set up using jumpers JMP1 through JMP3, located on the DAIMB motherboard. Figure 2 illustrates the options for each of these jumpers.

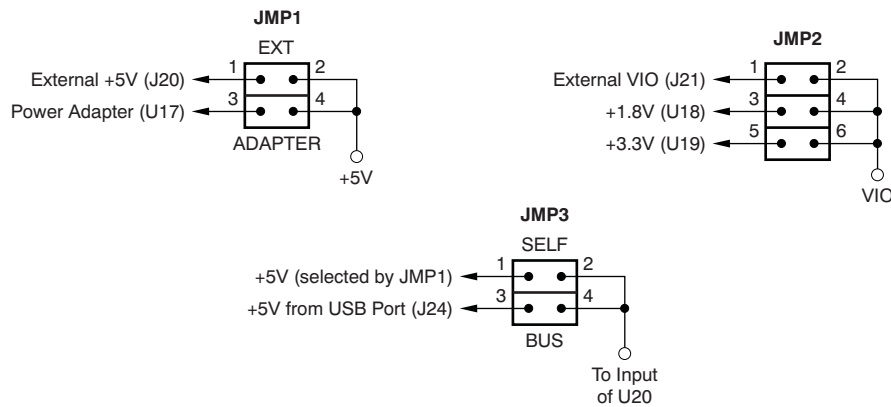


Figure 2. Power-Supply Jumper Configuration (DAIMB Motherboard)

By default, jumper JMP1 is configured for Power Adapter input at J19, jumper JMP2 is set up for a +3.3V logic I/O (or VIO) supply, and jumper JMP3 is set up for Bus power operation (+5V from connector J24). The +3.3V logic I/O supply is required in this case to maintain logic level compatibility with the USB slave interface circuitry.

Jumpers JMP6 through JMP9 on the EVM daughterboard are provided for measuring power-supply current. By default, these jumpers are shorted with bus wire, soldered during assembly of the board.

2.4.2 SPI and I²C Jumpers

Jumpers JMP3 through JMP5, located on the EVM daughterboard, are utilized to select SPI or I²C host interface connections for the SRC4382EVM or SRC4392EVM. Refer to Table 2 through Table 4 for jumper configuration.

Table 2. Jumper JMP3 Configuration (EVM Daughterboard)

JMP3 Pins 1–2	JMP3 Pins 3–4	Host Interface Selection
OPEN	SHORT	SPI
SHORT	OPEN	I ² C

Table 3. Jumper JMP4 Configuration (EVM Daughterboard)

JMP4 Pins 1–2	JMP4 Pins 3–4	Host Interface Selection
OPEN	SHORT	SPI
SHORT	OPEN	I ² C

Table 4. Jumper JMP5 Configuration (EVM Daughterboard)

JMP5 Pins 1-2	JMP5 Pins 3-4	Host Interface Selection
OPEN	OPEN	SPI
SHORT	SHORT	I ² C

2.4.3 RX4 Receiver Input Jumper

Jumper JMP1, located on the EVM daughterboard, is utilized to select the input source for the RX4 line receiver inputs. Selection options are shown in [Table 5](#).

Table 5. Jumper JMP1, RX4 Input Selection (EVM Daughterboard)

JMP1 Pins 1-2	JMP1 Pins 3-4	JMP1 Pins 5-6	JMP1 Pins 7-8	RX4 Input Source
SHORT	SHORT	OPEN	OPEN	RX4 Unbalanced 75Ω Input (DAIMB connector J9)
OPEN	SHORT	SHORT	OPEN	Optical Input Receiver (DAIMB U9)
OPEN	SHORT	OPEN	SHORT	Logic Level Input (DAIMB header J10)

2.5 Switch Configuration

This sub-section provides an overview of the DIP switch configuration for both the DAIMB motherboard and EVM daughterboard.

2.5.1 Audio Serial Port Slave/Master Configuration

The audio serial ports for the SRC4382 or SRC4392 may operate in either Slave or Master mode. Switches SW1 and SW2 must be configured to match the programmed register configurations for the Port A and Port B audio serial ports on the SRC4382 or SRC4392.

Port A of the SRC4382 or SRC4392 is connected to Port D (or header J4) on the DAIMB motherboard, while Port B is connected to Port B (or header J2) on the motherboard. Switch SW1 must be set to match the Port B slave/master configuration, while switch SW2 must be set to match the Port A slave/master configuration. Switch configuration is summarized in [Table 6](#), where $x = B$ for Port B, and $x = D$ for Port A.

Table 6. Audio Serial Port Slave/Master Switch Configuration (DAIMB Motherboard)

Switch SW1 or SW2, x_S/M	Port Configuration
LO	Master
HI	Slave

2.5.2 USB Serial Peripheral Interface (SPI) Port Configuration

CAUTION

When the I²C bus is utilized for host communications, the $\overline{\text{USBSP1}}$ switch must be set to HI.

For the DAIMB motherboard, the $\overline{\text{USBSP1}}$ switch on SW5 is utilized to enable or disable the tri-state buffers for the USB controller SPI port connections. [Table 7](#) summarizes the $\overline{\text{USBSP1}}$ switch settings.

Table 7. USB SPI Port Configuration (DAIMB Motherboard)

Switch SW5, $\overline{\text{USBSP1}}$	USB-based SPI Interface
LO	Enabled; the SPI port may be utilized for SRC4382/4392 host communications.
HI	Disabled; the SPI port outputs are set to a high-impedance state.

When the USB controller SPI interface is disabled, an external SPI host may be connected via header J22. Refer to the DAIMB electrical schematics in [Section 4](#) of this document for the header pin configuration.

2.5.3 MCLK1 and MCLK2 Clock Configuration

The DAIMB board supports both onboard and external clock generation for two clocks, referred to as *MCLK1* and *MCLK2*. The *MCLK1* clock source is buffered and routed to the RXCKI input (pin 13) of the SRC4382 or SRC4392 on the EVM daughterboard. The *MCLK2* source is buffered and routed to the MCLK input (pin 25) of the SRC4382 or SRC4392 on the EVM daughterboard.

Switch SW3 selects the clock source for the *MCLK1* (that is, RXCKI) clock, while SW4 selects the clock source for *MCLK2* (that is, MCLK). [Table 8](#) and [Table 9](#) summarize the SW3 and SW4 switch settings.

Table 8. MCLK1 Clock Source Selection (DAIMB Daughterboard)

Switch SW3, OSC2	Switch SW3, OSC1	MCLK1 (or RXCKI) Source Selection
LO	LO	External clock source at BNC connector J17 (X1 and X2 are disabled)
LO	HI	Oscillator X1, 24.576MHz \pm 50ppm
HI	LO	Oscillator X2, 22.5792MHz \pm 50ppm
HI	HI	Not allowed due to Oscillator X1 and X2 output contention.

Table 9. MCLK2 Clock Source Selection (DAIMB Daughterboard)

Switch SW4, OSC4	Switch SW4, OSC3	MCLK2 (or MCLK) Source Selection
LO	LO	External clock source at BNC connector J18 (X3 and X4 are disabled)
LO	HI	Oscillator X3, 24.576MHz \pm 50ppm
HI	LO	Oscillator X4, 22.5792MHz \pm 50ppm
HI	HI	Not allowed due to Oscillator X3 and X4 output contention.

2.5.4 Host Interface and SRC Output Mute Configuration

For the EVM daughterboard, DIP switch SW1 is utilized to manually select the SRC4382 or SRC4392 control port mode via the CPM input (pin 18), and to manually control the mute input, MUTE (pin 14). Bits A0 and A1 for the SRC4382 or SRC4392 I²C slave address may also be configured using this switch. [Table 10](#) through [Table 12](#) summarize the operation of the SW1 switches.

Table 10. SRC Output Mute Configuration (EVM Daughterboard)

Switch SW1, MUTE	SRC Output Mute
LO	Disabled; the SRC data output operates normally.
HI	Enabled; the SRC data output is forced low.

Table 11. SRC4382/4392 Control Port Mode Configuration (EVM Daughterboard)

Switch SW1, CPM	SPI or I ² C
LO	SPI
HI	I ² C

Table 12. I²C 7-Bit Slave Address Configuration (EVM Daughterboard)

Switch SW1, A1	Switch SW1, A0	7-bit Slave Address (Binary)	Slave Address for Command Files (Hex)
LO	LO	1110000	E0
LO	HI	1110001	E2
HI	LO	1110010	E4
HI	HI	1110011	E6

2.6 Audio, Power, and Logic I/O Connections

Figure 3 illustrates the power, USB, and primary audio input/output connections for the PDK. Headers J2 and J4 provide access to the SRC4382 or SRC4392 audio serial ports, Port A (J4) and Port B (J2), as well as the DIR recovered clock output, RXCKO (pin 12). The pin assignments for the headers are shown in Figure 3. Connectors J5 through J9, as well as optical receiver U9, provide the inputs for AES3 and S/PDIF digital audio sources. Connectors J11 and J12, along with optical transmitter U13, provide the AES3-encoded digital outputs for connection to external audio systems and test equipment. The J17 and J18 BNC connectors allow connection to external clock sources when the on board oscillators are disabled. General purpose outputs, as well as the DIT block start (BLS) and DIT internal frame synchronization (SYNC) clocks, are made available at header J23. The power adapter provided with the PDK is connected to the DAIMB motherboard at power jack J19. The host PC is connected to the PDK via the supplied USB cable, with connector J24 providing access to the DAIMB motherboard USB slave interface.

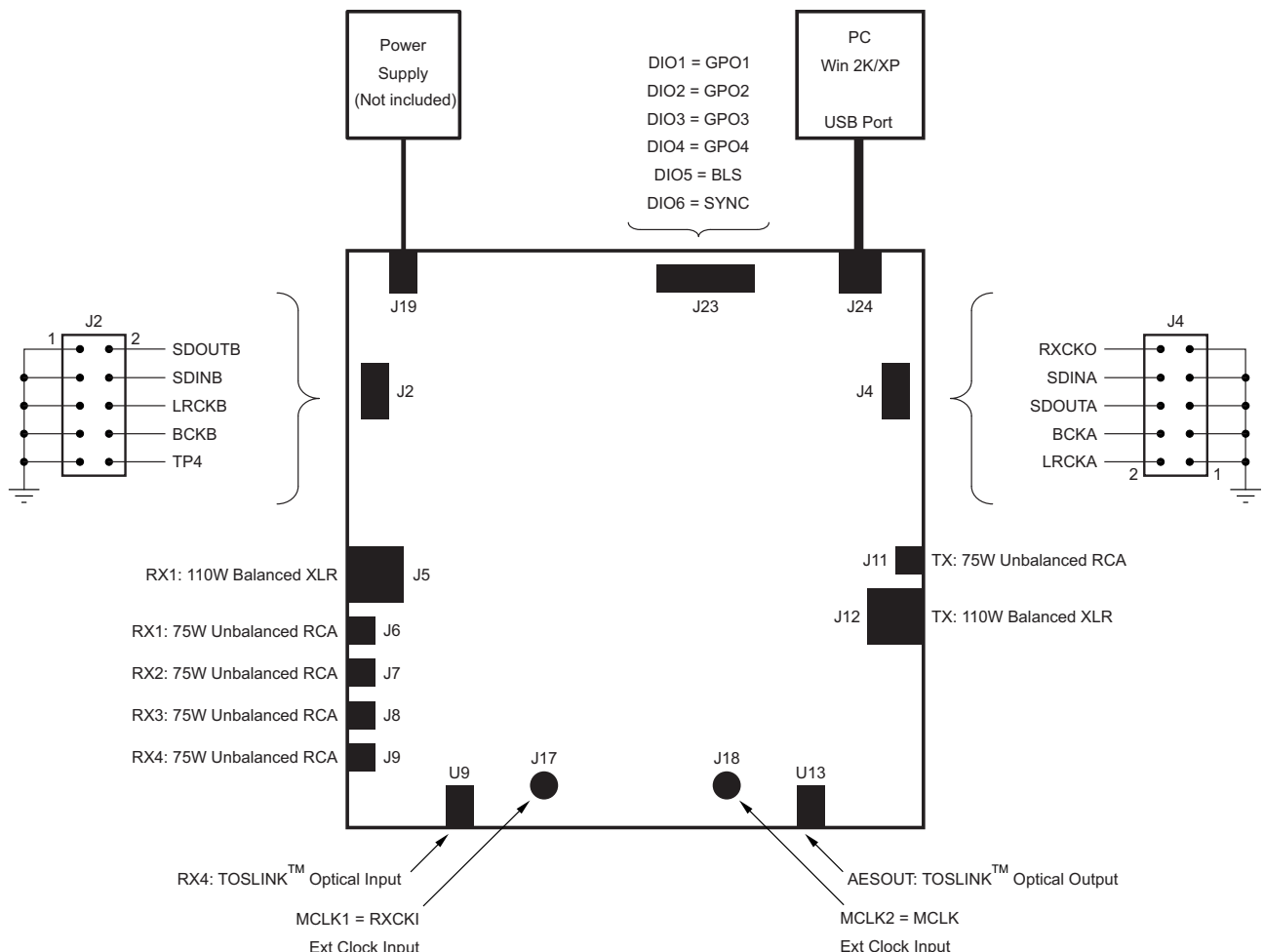


Figure 3. PDK Power, Host, and Input/Output Connections

3 Software Overview, Installation, and Operation

This section provides a discussion of the applications software that accompanies the PDK, including system requirements, installation procedures, and software operating instructions.

3.1 Overview

The applications software provided with the PDK allows the user to program and read the contents of SRC4382 or SRC4392 control and status registers, as well as the channel status and user data buffers for both the DIR and DIT. The software is referred to as the *USB Serial Commander*, and is a product of Texas Instruments (portions of the software are copyright by National Instruments). Refer to the End Users License Agreement included with the software.

3.2 System Requirements

The applications software functions on computers that run the Microsoft Windows 2000 or XP operating systems, and include at least one built-in USB 1.x or USB 2.0 port. A CD-ROM drive is also required for software installation. A minimum of 256MB of system RAM is required, while 512MB of system RAM is recommended. Installation of the applications software requires a minimum of 50MB of free hard disk space.

3.3 Installation Procedure

The following steps are required to install the USB Serial Commander Software. It is assumed that the user is familiar with the Windows 2000 or XP operating system, including window and menu navigation.

Step 1: Insert the accompanying CD-ROM into the PC CD-ROM drive.

Step 2: Go to the folder named *usc_installer* on the CD-ROM. Open the folder and double-click on the file named *setup.exe*. Follow the instructions and prompts given by the installer program.

Step 3: When the main installation is complete, a dialog box will come up informing you about installing NI-VISA™ 3.1 Runtime. This file is a self-extracting archive. Click *OK* to proceed. You will then be presented with a WinZip™ dialog. Simply click *Unzip*; the archive self-extracts and automatically runs the NI-VISA 3.1 Runtime installer.

Step 4: Follow the instructions in the NI-VISA 3.1 Runtime Installer. When prompted for which features to install, do the following:

- (a) Click on the disk icon next to NI-VISA 3.1.
- (b) Select, **Do not install this feature.**
- (c) Click on the disk icon next to USB.
- (d) Select the option which installs this feature.
- (e) Click *Next*.

Step 5: Accept the license agreement, and continue the installation.

Step 6: When this completes, click *Finish* on the USB Serial Commander installer window.

Step 7: Restart your computer.

Step 8: When your computer is restarted, connect the SRC4382EVM-PDK or SRC4392EVM-PDK to the host PC using the supplied a USB cable. Windows should recognize the new device as *USB-MODEVM*. However, on some systems, it will be recognized as a USB Human Interface Device rather than an NI-VISA USB device.

To check this configuration, go to *Start --> Control Panel --> System --> Hardware --> Device Manager*. Look in the list and see if any NI-VISA USB Devices are shown. If so, the USB-MODEVM should be included in the list of the NI-VISA USB devices, and you can proceed to Step 10.

If the USB-MODEVM appears instead under *Human Interface Devices*, right-click on the device and select *Update Driver...* In the driver update screen, choose the option to select the driver from a list. When the list is given, you should have the choice of either a Human Interface Device or the USB-MODEVM. Select the *USB-MODEVM* and install the new driver.

If the USB-MODEVM does not appear as an option, go to the **C:\Windows\inf** directory and see if the *USB-MODEVM_WDM.inf* file exists. If it does, right-click on the file and select *Install...* Repeat the *Update Driver...* process described in the previous paragraph.

If the *USB-MODEVM_WDM.inf* file does not exist in the **C:\Windows\inf** directory, go to the CD-ROM and locate the **inf_file.zip** archive. This archive contains the *USB-MODEVM_WDM.inf* file. Copy the archive to your disk, unzip the archive, and move the *USB-MODEVM_WDM.inf* file to the **C:\Windows\inf** directory. Once the file is moved, right-click on the file and select *Install...* Repeat the *Update Driver...* process described previously in this section.

Step 9: Disconnect the USB_MODEVM hardware and reconnect to the USB cable. Repeat Step 8 to check that it is now recognized as an NI-VISA USB Device. When the hardware is recognized and listed as a NI-VISA USB device, proceed to Step 10.

Step 10: Installation is complete. You may now proceed with using the PDK software.

3.4 Operating the Applications Software

To start the applications software, click on the *Start* menu icon and navigate to *Programs --> Texas Instruments --> USB-SerialCommander*. Click on the *USB-SerialCommander* to start the application. The window shown in [Figure 4](#) will appear. The Command Buffer text area will be empty when the application initially launches.

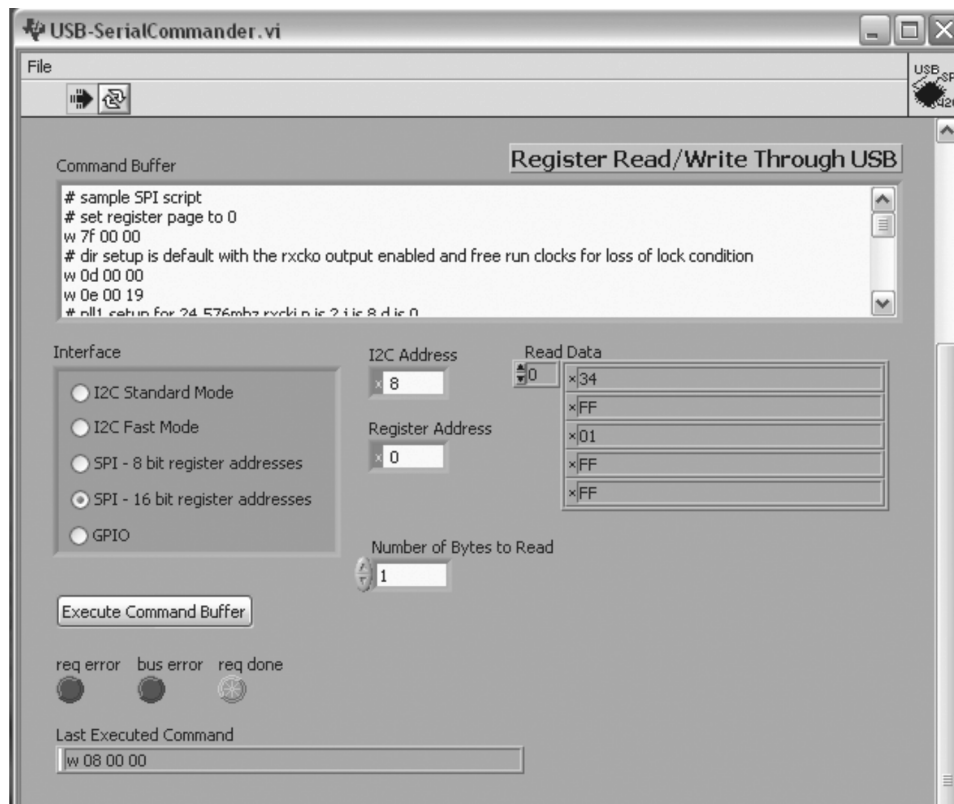


Figure 4. Applications Software Window (USB Serial Commander)

The first order of business is to select the Interface, using one of the five radio buttons shown in the Interface panel. For an I²C host interface configurations, either the *I²C Standard Mode* or *I²C Fast Mode* may be selected. For an SPI host interface configuration, the *SPI-16 bit register addresses* mode must be selected.

On the CD-ROM accompanying the PDK, there is a folder named *Sample Command Files*. These files have been written to exercise specific portions and functions of the SRC4382 or SRC4392. The sample files also provide the user with code that can be copied and modified as needed, assisting the learning process. Any standard text editor, such as Notepad, can be utilized to edit and create command files.

Click on the applications **File** menu. There is only one selection under the File menu: *Open Command File...* Clicking on this menu selection displays an open file dialog, where sample command files may be located and loaded.

Once a command file has been loaded, the Command Buffer text area will display the script code. You may scroll through this code, as well as select and edit code as needed. The user can also select and delete the contents of the Command Buffer and manually enter his or her own script code. [Section 3.5](#) and [Section 3.6](#) of this guide provide command syntax information for writing scripts. When you are ready to execute the script code in the Command Buffer, simply click on the *Execute Command Buffer* button.

3.4.1 Error Indicators

There are three indicators below the *Execute Command Buffer* button. When a command buffer is successfully executed, the **req done** indicator glows green. If a command request or an SPI/I²C bus error occurs, then the **req error** or **bus error** indicators glow red. Typical errors include selecting the wrong interface mode for the given command buffer contents, running command syntax that is invalid, and bus configuration or electrical errors.

3.4.2 Last Executed Command Field

This field is located below the error indicators, and contains the text of the last executed command (not including Break commands).

3.4.3 Read Data Display

The Read Data display shows a list of hexadecimal values, with the first four values being program status information, followed by the data bytes read from control or status registers using a Read command. [Figure 5](#) illustrates the results of an SPI read command. The Last Executed Command field shows that a read command was executed. This information is reiterated in the text field to the left of the Read Data display. Ignoring the first four bytes of the Read Data display, the last four bytes correspond to the data located in the four register addresses referenced by the Read command.

3.4.4 Command Script Paused Dialog

This dialog is presented when a Break command is executed in the Command Buffer, and is shown in [Figure 5](#). The Break command pauses the Command Buffer execution until the **OK** button is clicked. Read commands must always be followed by a Break command, so that the user may evaluate the Read Data display results.

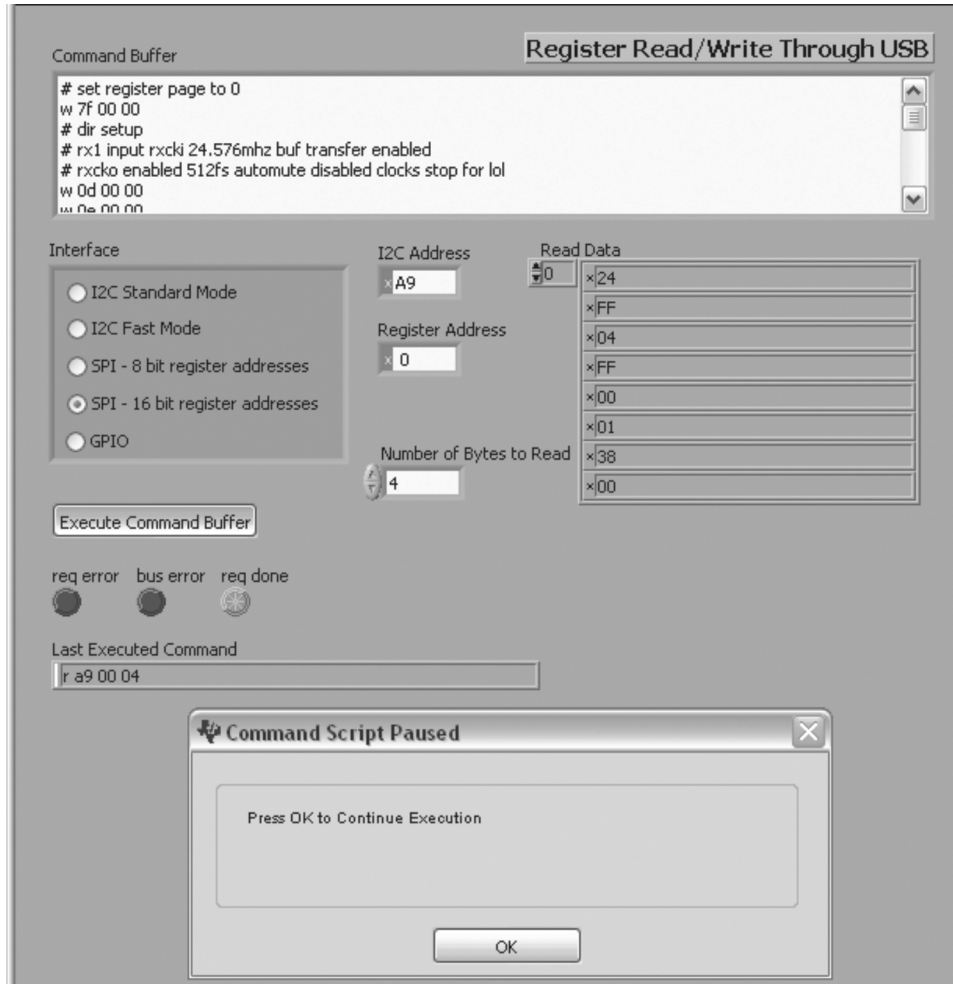


Figure 5. Example of a Readback Display and Break Message in the USB Serial Commander Application

3.5 Command Syntax for SPI Communications

Simple but strict command syntax is required for the command files utilized by the applications software. The command syntax for SPI communications are summarized in [Table 13](#). Each command must be terminated with a carriage return, and must fit on a single line.

Table 13. SPI Command Syntax

Command	Syntax
Write	w rr 00 dd
Read	r rr 00 bb
Break	b
Comment	# write your comments here
Interface Mode	i spi16

Where:

- rr = The register address (Hex)
- dd = The register data (Hex)
- bb = The number of bytes to be read (Hex)

For the SRC4382 and SRC4392, the SPI 16-bit address mode must always be utilized, as the second byte (00) is interpreted as the second byte of the address by the USB Serial Commander. The first line of the command file should always be the interface mode syntax shown in [Table 13](#).

When setting the register address for an SPI command, the most significant bit of the address is the Read/Write bit. Set this bit to '0' for Write operations, and to '1' for Read operations.

Example 1.

```
# write register 01 to power-up all function blocks
w 01 00 3f
```

Example 2.

```
# read the Q sub code data registers and then break for read data display results
r 9f 00 0a b
```

3.6 Command Syntax for I²C Communications

The command syntax for I²C communications are summarized in [Table 14](#). Each command must be terminated with a carriage return, and must fit on a single line.

Table 14. I²C Command Syntax

Command	Syntax
Write	w ss rr dd
Read	r ss rr bb
Break	b
Comment	# write your comments here
Interface Mode (I ² C Slow)	i i2cslow
Interface Mode (I ² C Fast)	i i2cfast

Where:

- ss = The I²C slave address for the SRC4382 or SRC4392 (Hex).
- rr = The register address byte (Hex)
- dd = The register data (Hex)
- bb = The number of bytes to be read (Hex)

For the SRC4382 and SRC4392, the I²C interface mode may be Slow or Fast. The first line of the command file should always indicate the speed of the interface, and match the selection shown in the Interface section of the USB Serial Commander window. Generally, the interface may be set to Fast mode for all operations.

When setting the slave address, the R/W bit does not need to be included, as the Write or Read command will set this bit automatically.

The most significant bit of the Register Address Byte is the INC, or auto-increment bit. When set to '0', auto-increment mode is disabled. When set to '1', auto-increment mode is enabled. Refer to the datasheet for additional information regarding auto-increment mode for I²C write and read operations.

Example 3.

```
# write register 01 to power up all function blocks  
w e0 01 3f
```

Example 4.

```
# read the non pcm status register and then break for read data display results  
r e0 12 01 b
```

Example 5.

```
# read the Q sub code data registers and then break for read data display results # reading multiple  
registers requires that the auto increment bit be set to 1  
r e0 9f 0a b
```

4 Hardware Reference

This section includes schematics for the EVM and DAIMB boards, as well as a Bill of Materials for each board.

4.1 Schematics

The schematics for the EVM and DAIMB boards are shown in [Figure 6](#) through [Figure 8](#).

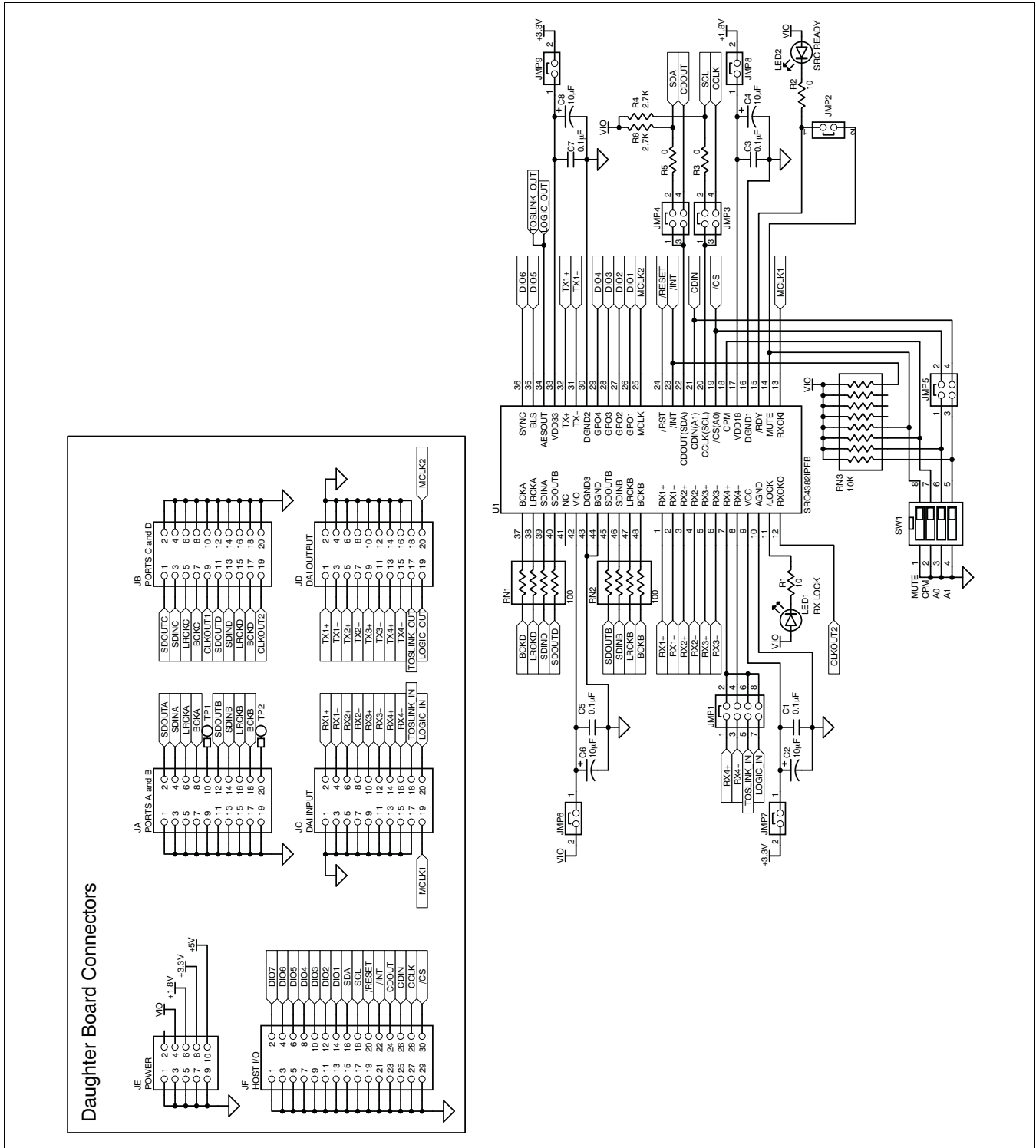


Figure 6. Electrical Schematic: SRC4382/92EVM Daughterboard

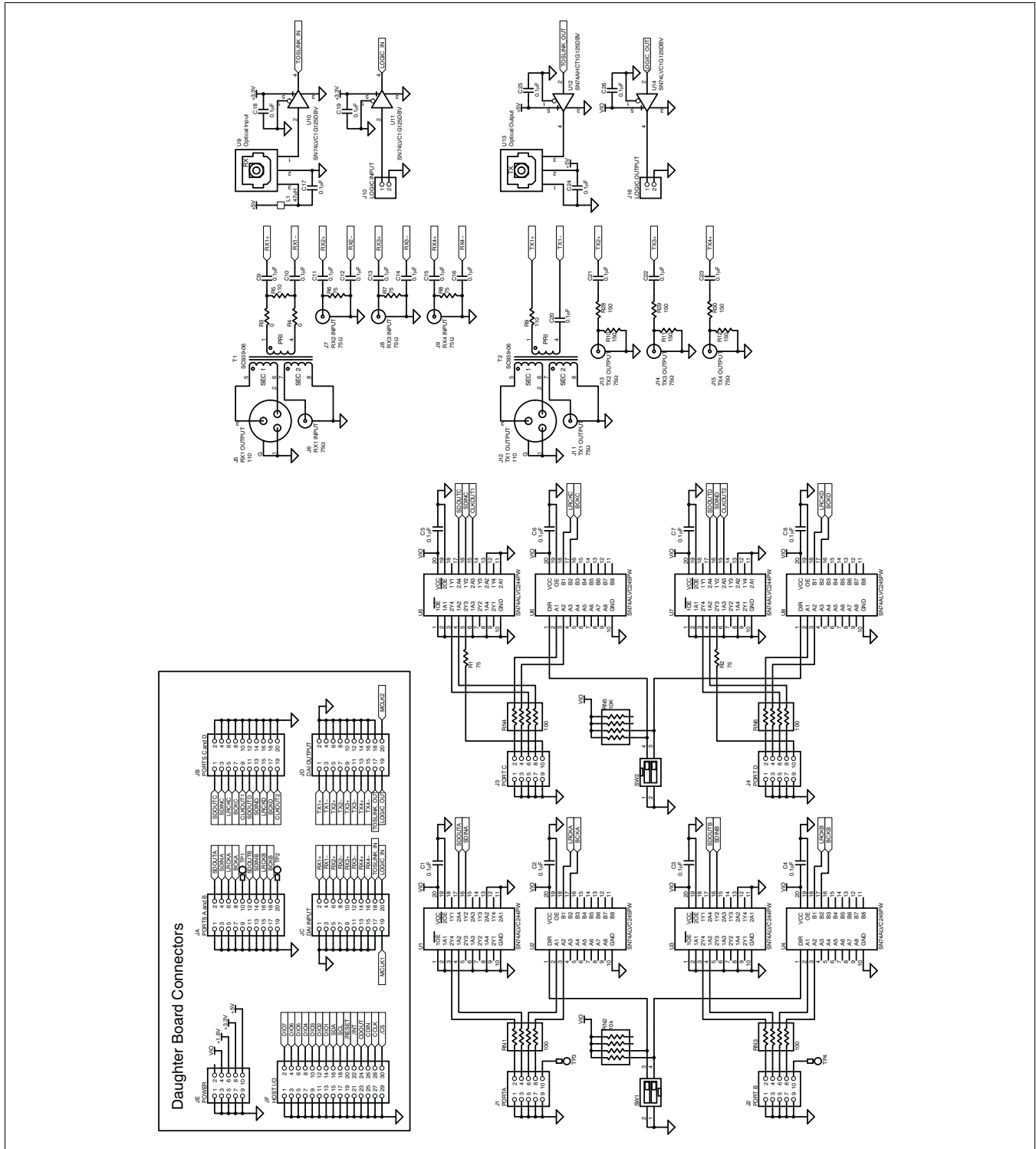


Figure 7. Electrical Schematic: DAIMB Motherboard, Page 1

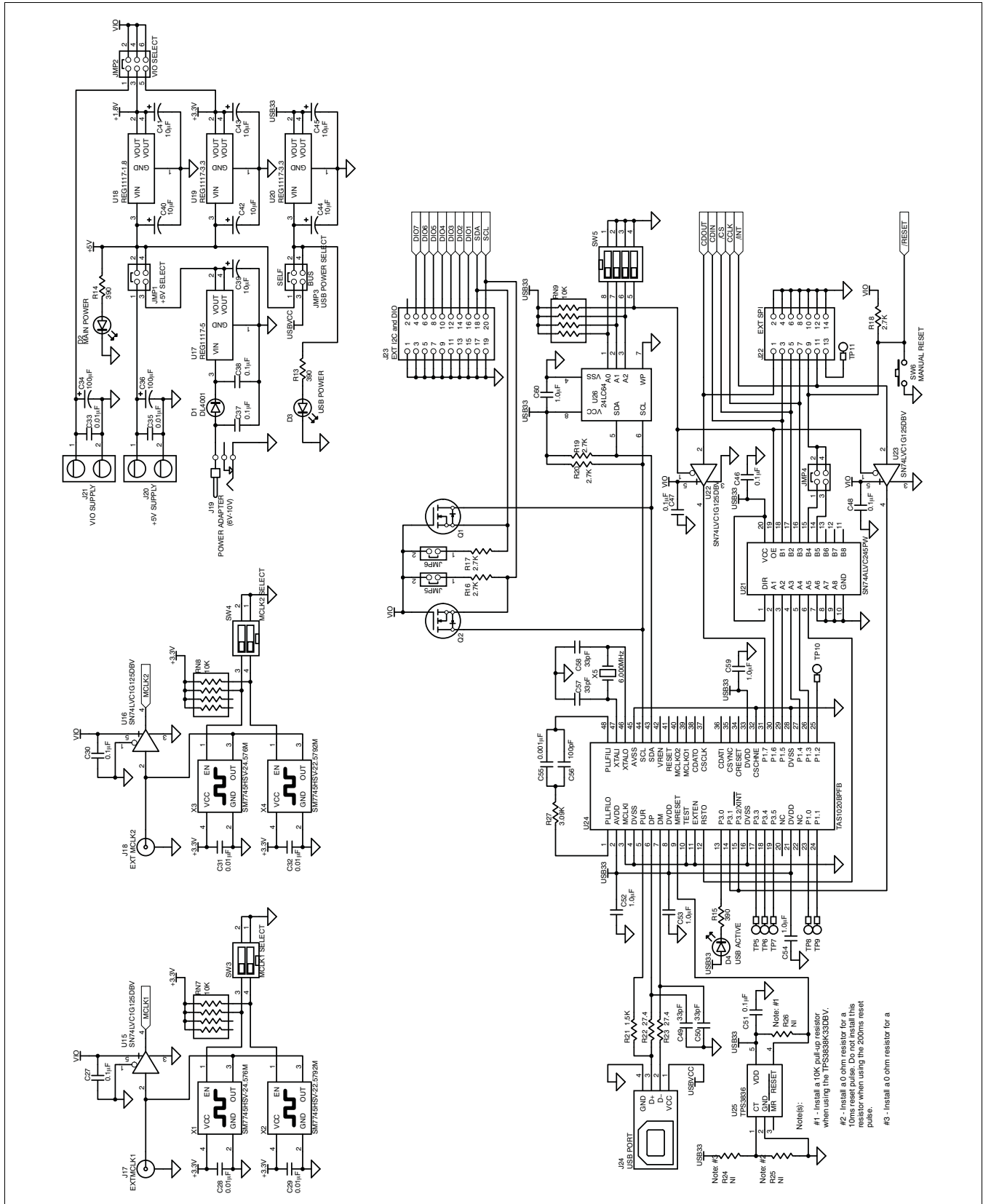


Figure 8. Electrical Schematic: DAIMB Motherboard, Page 2

4.2 Bills of Material

Table 15. Bill of Materials for the SRC4382/92EVM

ITEM	VALUE	REFERENCE DESIGNATOR	QTY PER BOARD	MFR	MFR PART NUMBER	DESCRIPTION
1	0	R3, R5	2	Panasonic	ERJ-3GEY0R00V	Resistor, 0Ω, Size = 0603
2	10	R1, R2	2	Panasonic	ERJ-3GEYJ100V	Resistor, Thick Film Chip 10Ω, 5%, 1/10W, Size = 0603
3	2.7K	R4, R6	2	Panasonic	ERJ-3GEYJ272V	Resistor, Thick Film Chip, 2.7kΩ, 5%, 1/10W Size = 0603
4	100	RN1, RN2	2	CTS	742C083101J	Thick Film Chip Resistor Array 100Ω, 8-Terminal, 4 Resistors, Isolated
5	10k	RN3	1	CTS	742C163103J	Thick Film Chip Resistor Array 10kΩ, 16-Terminal, 8 Resistors, Isolated
6	0.1μF	C1, C3, C5, C7	4	TDK	C1608X7R1E104K	Chip Capacitor, X7R Ceramic 0.1μF ±10%, 25V, Size = 0603
7	10μF	C2, C4, C6, C8	4	Kemet	T491A106K010AS	Chip Capacitor, Tantalum, 10μF ±10%, 10V, Size = A
8		U1	1	Texas Instruments	SRC4382IPFB or SRC4392IPFB	2-ch Asynchronous SRC with Integrated DIR and DIT
9		LED1, LED2	2	Lumex	SML-LX0603GW-TR	Green LED, SMT, Size = 0603
10		JA, JB, JC, JD	4	Samtec	SSW-110-02-G-D	Socket Strip, Dual Row, 10x2
11		JE	1	Samtec	SSW-105-02-G-D	Socket Strip, Dual Row, 5x2
12		JF	1	Samtec	SSW-115-02-G-D	Socket Strip, Dual Row, 15x2
13		JMP1	1	Samtec	TSW-104-07-G-D	Terminal Strip, Dual Row, 4x2
14	Not Installed	JMP2	1	Samtec	TSW-102-07-G-S	Terminal Strip, 2x1
15		JMP3-JMP5	3	Samtec	TSW-102-07-G-D	Terminal Strip, Dual Row, 2x2
16		JMP6-JMP9	4	—	—	Bus Wire, 18 to 22 guage
17		SW1	1	ITT Industries/C&K	TDA04H0SK1	DIP Switch, 4-element, Half-pitch Surface-Mount, Tape Sealed
18			7	Samtec	SNT-100-BK-G-H	Shorting Blocks
19		PWB	1	Texas Instruments	6472598	SRC4382/92EVM Printed Circuit Board

Table 16. Bill of Materials for the DAIMB

ITEM	VALUE	REFERENCE DESIGNATOR	QTY PER BOARD	MFR	MFR PART NUMBER	DESCRIPTION
1	0	R3, R4, R24	3	Panasonic	ERJ-3GEY0R00V	Resistor, 0Ω, Size = 0603
2	Not Installed	R25	1	Panasonic	ERJ-3GEY0R00V	Resistor, 0Ω, Size = 0603
3	27.4	R22, R23	2	Panasonic	ERJ-3EKF27R4V	Resistor, Thick Film Chip 27.4Ω, 1%, 1/16W, Size = 0603
4	75	R1, R2, R6–R8	5	Panasonic	ERJ-3EKF75R0V	Resistor, Thick Film Chip 75Ω, 1%, 1/16W, Size = 0603
5	110	R5, R9	2	Panasonic	ERJ-3EKF1100V	Resistor, Thick Film Chip 110Ω, 1%, 1/16W, Size = 0603
6	150	R10–R12, R28–R30	6	Panasonic	ERJ-3EKF1500V	Resistor, Thick Film Chip 150Ω, 1%, 1/16W, Size = 0603
7	392	R13–R15	3	Panasonic	ERJ-3EKF3920V	Resistor, Thick Film Chip 392Ω, 1%, 1/16W, Size = 0603
8	1.5K	R21	1	Panasonic	ERJ-3EKF1501V	Resistor, Thick Film Chip 1.5kΩ, 1%, 1/16W, Size = 0603
9	2.7K	R16–R20	5	Panasonic	ERJ-3GEYJ272V	Resistor, Thick Film Chip 2.7kΩ, 5%, 1/10W, Size = 0603
10	3.09K	R27	1	Panasonic	ERJ-3EKF3091V	Resistor, Thick Film Chip 3.09kΩ, 1%, 1/16W, Size = 0603
11	Not Installed	R26	1	Panasonic	ERJ-3EKF1002V	Resistor, Thick Film Chip 10kΩ, 1%, 1/16W, Size = 0603
12	100	RN1, RN3, RN4, RN6	4	CTS	742C083101J	Thick Film Chip Resistor Array 100Ω, 8-Terminal, 4 Resistors, Isolated
13	10k	RN2, RN5, RN7–RN9	5	CTS	742C083103J	Thick Film Chip Resistor Array 10kΩ, 8-Terminal, 4 Resistors, Isolated
14	33pF	C49, C50, C57, C58	4	TDK	C1608C0G1H330J	Chip Capacitor, C0G Ceramic 33pF ±5%, 50V, Size = 0603
15	100pF	C56	1	TDK	C1608C0G1H101J	Chip Capacitor, C0G Ceramic 100pF ±5%, 50V, Size = 0603
16	0.001μF	C55	1	TDK	C1608C0G1H102J	Chip Capacitor, C0G Ceramic 0.001μF ±5%, 50V, Size = 0603
17	0.01μF	C28, C29, C31–C33, C35	6	TDK	C1608X7R1H103K	Chip Capacitor, X7R Ceramic 0.01μF ±10%, 50V, Size = 0603
18	0.1μF	C1–C27, C30, C37, C46–C48, C51	33	TDK	C1608X7R1E104K	Chip Capacitor, X7R Ceramic 0.1μF ±10%, 25V, Size = 0603
19	1μF	C38, C52–C54, C59, C60	6	TDK	C1608X7R1C105K	Chip Capacitor, X7R Ceramic 1μF ±10%, 16V, Size = 0603
20	10μF	C39–C45	7	Kemet	T491A106K010AS	Chip Capacitor, Tantalum, 10μF ±10%, 10V, Size = A
21	100μF	C34, C36	2	Panasonic	EEV-FK1C101P	Capacitor, Alum Elect, SMT, 100μF ±20%, 16V, Size = D
22	47μH	L1	1	Panasonic	ELJ-FA470KF	Inductor, SMT, 47μH ±10%, Size = 1210
23		T1, T2	2	Scientific Conversion	SC939-06	Dual Zo Digital Audio Transformer
24		U1, U3, U5, U7	4	Texas Instruments	SN74ALVC244PWR	Octal Buffer/Driver with Tri-State Outputs
25		U2, U4, U6, U8, U21	5	Texas Instruments	SN74ALVC245PWR	Octal Bus Transceiver with Tri-State Outputs
26		U9	1	Toshiba	TORX179P	TOSLINK Optical Receiver
					or	
					TORX179PL	TOSLINK Optical Receiver
27		U10, U11, U14–U16, U22, U23	7	Texas Instruments	SN74LVC1G125DBVR	Single Buffer with Tri-State Output
28		U12	1	Texas Instruments	SN74AHCT1G125DBVR	Single Buffer with Tri-State Output and TTL Compatible Input
29		U13	1	Toshiba	TOTX179P	TOSLINK Optical Transmitter
					or	
					TOTX179PL	TOSLINK Optical Transmitter

Table 16. Bill of Materials for the DAIMB (continued)

ITEM	VALUE	REFERENCE DESIGNATOR	QTY PER BOARD	MFR	MFR PART NUMBER	DESCRIPTION
30		U17	1	Texas Instruments	REG1117-5	Linear Voltage Regulator with +5V Fixed Output
31		U18	1	Texas Instruments	REG1117A-1.8	Linear Voltage Regulator with +1.8V Fixed Output
32		U19, U20	2	Texas Instruments	REG1117-3.3	Linear Voltage Regulator with +3.3V Fixed Output
33		U24	1	Texas Instruments	TAS1020BPFB	USB Streaming Controller
34		U25	1	Texas Instruments	TPS3836K33DBVR	Nanopower Supervisory Circuit with Active Low Push-Pull Output
				or		
				Texas Instruments	TPS3838K33DBVR	Nanopower Supervisory Circuit with Active Low Open Drain Output (requires installation of R26)
35		U26		Microchip	24LC64I/SN	64k EEPROM with 2-wire I ² C Serial Interface
36		D1		Micro Commercial Components	DL4001	Diode, 50V, 1A, MELF SMT
37		D2, D3	2	Lumex	SML-LX0603GW-TR	Green LED, SMT, Size = 0603
38		D4	1	Lumex	SML-LX0603YW-TR	Yellow LED, SMT, Size = 0603
39		Q1, Q2	2	Zetex	ZXMN6A07F	N-channel MOSFET, SMT
40		X1, X3	2	Pletronics	SM7745HSV-24.576M	+3.3V SMT Clock Oscillator with CMOS Output and Active High Enable 24.576MHz ±50ppm
41		X2, X4	2	Pletronics	SM7745HSV-22.5792M	+3.3V SMT Clock Oscillator with CMOS Output and Active High Enable 22.5792MHz ±50ppm
42		X5	1	Citizen	HCM49-6.000MABJT	6.000MHz Crystal, SMT
				or		
				Epson	MA-505 6.000M-C0	6.000MHz Crystal, SMT
				or		
				CTS	ATS060SM-T	6.000MHz Crystal, SMT
43		J1–J4, JE	5	Samtec	TSW-105-07-G-D	Terminal Strip, Dual Row, 5x2
44		J5	1	Neutrik	NC3FAH2	3-pin Female XLR Chassis Connector, Horizontal PC Mount with Latch
45		J6–J9, J11, J13–J15	8	CUI Stack	RCJ-041	RCA Jack, PC Mount, Black
46		J10, J16, JMP5, JMP6	4	Samtec	TSW-102-07-G-S	Terminal Strip, 2x1
47		J12	1	Neutrik	NC3MAH-0	3-pin Male XLR Chassis Connector, Horizontal PC Mount
48		J17, J18	2	Tyco AMP	414305-1	BNC Connector, Female, PC Mount
49		J19	1	CUI Stack	PJ-102BH	2.5mm Male Power Jack, PCB Mount, Silver Plated
50		J20, J21	2	Weidmuller	1699670000	Terminal Block, 2 poles, 3.5mm PCB
51		J22	1	Samtec	TSW-107-07-G-D	Terminal Strip, Dual Row, 7x2
52		J23, JA, JB, JC, JD	5	Samtec	TSW-110-07-G-D	Terminal Strip, Dual Row, 10x2
53		J24	1	Mill-Max	897-30-004-90-000000	USB Type B Receptable, Single, Through-Hole
54		JF	1	Samtec	TSW-115-07-G-D	Terminal Strip, Dual Row, 15x2
55		JMP1, JMP3	2	Samtec	TSW-102-07-G-D	Terminal Strip, Dual Row, 2x2
56	Not Installed	JMP4	1	Samtec	TSW-102-07-G-D	Terminal Strip, Dual Row, 2x2
57		JMP2	1	Samtec	TSW-103-07-G-D	Terminal Strip, Dual Row, 3x2
58		SW1-SW4	4	ITT Industries/C&K	TDA02H0SK1	DIP Switch, 2-element, Half-pitch Surface-Mount, Tape Sealed
59		SW5	1	ITT Industries/C&K	TDA04H0SK1	DIP Switch, 4-element, Half-pitch Surface-Mount, Tape Sealed

Table 16. Bill of Materials for the DAIMB (continued)

ITEM	VALUE	REFERENCE DESIGNATOR	QTY PER BOARD	MFR	MFR PART NUMBER	DESCRIPTION
60		SW6	1	Omron	B3S-1000	Momentary Tact Switch, SMT, Without Ground Terminal
61			5	Samtec	SNT-100-BK-G-H	Shorting Blocks
62			5	3M Bumpon	SJ-5003	Rubber Feet, Adhesive Backed
63		PWB	1	Texas Instruments	6472591	DAIMB Printed Circuit Board

EVALUATION BOARD/KIT IMPORTANT NOTICE

Texas Instruments (TI) provides the enclosed product(s) under the following conditions:

This evaluation board/kit is intended for use for **ENGINEERING DEVELOPMENT, DEMONSTRATION, OR EVALUATION PURPOSES ONLY** and is not considered by TI to be a finished end-product fit for general consumer use. Persons handling the product(s) must have electronics training and observe good engineering practice standards. As such, the goods being provided are not intended to be complete in terms of required design-, marketing-, and/or manufacturing-related protective considerations, including product safety and environmental measures typically found in end products that incorporate such semiconductor components or circuit boards. This evaluation board/kit does not fall within the scope of the European Union directives regarding electromagnetic compatibility, restricted substances (RoHS), recycling (WEEE), FCC, CE or UL, and therefore may not meet the technical requirements of these directives or other related directives.

Should this evaluation board/kit not meet the specifications indicated in the User's Guide, the board/kit may be returned within 30 days from the date of delivery for a full refund. **THE FOREGOING WARRANTY IS THE EXCLUSIVE WARRANTY MADE BY SELLER TO BUYER AND IS IN LIEU OF ALL OTHER WARRANTIES, EXPRESSED, IMPLIED, OR STATUTORY, INCLUDING ANY WARRANTY OF MERCHANTABILITY OR FITNESS FOR ANY PARTICULAR PURPOSE.**

The user assumes all responsibility and liability for proper and safe handling of the goods. Further, the user indemnifies TI from all claims arising from the handling or use of the goods. Due to the open construction of the product, it is the user's responsibility to take any and all appropriate precautions with regard to electrostatic discharge.

EXCEPT TO THE EXTENT OF THE INDEMNITY SET FORTH ABOVE, NEITHER PARTY SHALL BE LIABLE TO THE OTHER FOR ANY INDIRECT, SPECIAL, INCIDENTAL, OR CONSEQUENTIAL DAMAGES.

TI currently deals with a variety of customers for products, and therefore our arrangement with the user **is not exclusive**.

TI assumes **no liability for applications assistance, customer product design, software performance, or infringement of patents or services described herein.**

Please read the User's Guide and, specifically, the Warnings and Restrictions notice in the User's Guide prior to handling the product. This notice contains important safety information about temperatures and voltages. For additional information on TI's environmental and/or safety programs, please contact the TI application engineer or visit www.ti.com/esh.

No license is granted under any patent right or other intellectual property right of TI covering or relating to any machine, process, or combination in which such TI products or services might be or are used.

FCC Warning

This evaluation board/kit is intended for use for **ENGINEERING DEVELOPMENT, DEMONSTRATION, OR EVALUATION PURPOSES ONLY** and is not considered by TI to be a finished end-product fit for general consumer use. It generates, uses, and can radiate radio frequency energy and has not been tested for compliance with the limits of computing devices pursuant to part 15 of FCC rules, which are designed to provide reasonable protection against radio frequency interference. Operation of this equipment in other environments may cause interference with radio communications, in which case the user at his own expense will be required to take whatever measures may be required to correct this interference.

EVM WARNINGS AND RESTRICTIONS

It is important to operate this EVM within the input voltage range of the Absolute Operating Conditions and the output voltage range of the Absolute Operating Conditions (see [Table 1](#)).

Exceeding the specified input range may cause unexpected operation and/or irreversible damage to the EVM. If there are questions concerning the input range, please contact a TI field representative prior to connecting the input power.

Applying loads outside of the specified output range may result in unintended operation and/or possible permanent damage to the EVM. Please consult the EVM User's Guide prior to connecting any load to the EVM output. If there is uncertainty as to the load specification, please contact a TI field representative.

During normal operation, some circuit components may have case temperatures greater than +37°C. The EVM is designed to operate properly with certain components above +60°C as long as the input and output ranges are maintained. These components include but are not limited to linear regulators, switching transistors, pass transistors, and current sense resistors. These types of devices can be identified using the EVM schematic located in the EVM User's Guide. When placing measurement probes near these devices during operation, please be aware that these devices may be very warm to the touch.

Mailing Address: Texas Instruments, Post Office Box 655303, Dallas, Texas 75265
Copyright © 2009, Texas Instruments Incorporated

IMPORTANT NOTICE

Texas Instruments Incorporated and its subsidiaries (TI) reserve the right to make corrections, enhancements, improvements and other changes to its semiconductor products and services per JESD46, latest issue, and to discontinue any product or service per JESD48, latest issue. Buyers should obtain the latest relevant information before placing orders and should verify that such information is current and complete. All semiconductor products (also referred to herein as "components") are sold subject to TI's terms and conditions of sale supplied at the time of order acknowledgment.

TI warrants performance of its components to the specifications applicable at the time of sale, in accordance with the warranty in TI's terms and conditions of sale of semiconductor products. Testing and other quality control techniques are used to the extent TI deems necessary to support this warranty. Except where mandated by applicable law, testing of all parameters of each component is not necessarily performed.

TI assumes no liability for applications assistance or the design of Buyers' products. Buyers are responsible for their products and applications using TI components. To minimize the risks associated with Buyers' products and applications, Buyers should provide adequate design and operating safeguards.

TI does not warrant or represent that any license, either express or implied, is granted under any patent right, copyright, mask work right, or other intellectual property right relating to any combination, machine, or process in which TI components or services are used. Information published by TI regarding third-party products or services does not constitute a license to use such products or services or a warranty or endorsement thereof. Use of such information may require a license from a third party under the patents or other intellectual property of the third party, or a license from TI under the patents or other intellectual property of TI.

Reproduction of significant portions of TI information in TI data books or data sheets is permissible only if reproduction is without alteration and is accompanied by all associated warranties, conditions, limitations, and notices. TI is not responsible or liable for such altered documentation. Information of third parties may be subject to additional restrictions.

Resale of TI components or services with statements different from or beyond the parameters stated by TI for that component or service voids all express and any implied warranties for the associated TI component or service and is an unfair and deceptive business practice. TI is not responsible or liable for any such statements.

Buyer acknowledges and agrees that it is solely responsible for compliance with all legal, regulatory and safety-related requirements concerning its products, and any use of TI components in its applications, notwithstanding any applications-related information or support that may be provided by TI. Buyer represents and agrees that it has all the necessary expertise to create and implement safeguards which anticipate dangerous consequences of failures, monitor failures and their consequences, lessen the likelihood of failures that might cause harm and take appropriate remedial actions. Buyer will fully indemnify TI and its representatives against any damages arising out of the use of any TI components in safety-critical applications.

In some cases, TI components may be promoted specifically to facilitate safety-related applications. With such components, TI's goal is to help enable customers to design and create their own end-product solutions that meet applicable functional safety standards and requirements. Nonetheless, such components are subject to these terms.

No TI components are authorized for use in FDA Class III (or similar life-critical medical equipment) unless authorized officers of the parties have executed a special agreement specifically governing such use.

Only those TI components which TI has specifically designated as military grade or "enhanced plastic" are designed and intended for use in military/aerospace applications or environments. Buyer acknowledges and agrees that any military or aerospace use of TI components which have **not** been so designated is solely at the Buyer's risk, and that Buyer is solely responsible for compliance with all legal and regulatory requirements in connection with such use.

TI has specifically designated certain components as meeting ISO/TS16949 requirements, mainly for automotive use. In any case of use of non-designated products, TI will not be responsible for any failure to meet ISO/TS16949.

Products

Audio	www.ti.com/audio
Amplifiers	amplifier.ti.com
Data Converters	dataconverter.ti.com
DLP® Products	www.dlp.com
DSP	dsp.ti.com
Clocks and Timers	www.ti.com/clocks
Interface	interface.ti.com
Logic	logic.ti.com
Power Mgmt	power.ti.com
Microcontrollers	microcontroller.ti.com
RFID	www.ti-rfid.com
OMAP Applications Processors	www.ti.com/omap
Wireless Connectivity	www.ti.com/wirelessconnectivity

Applications

Automotive and Transportation	www.ti.com/automotive
Communications and Telecom	www.ti.com/communications
Computers and Peripherals	www.ti.com/computers
Consumer Electronics	www.ti.com/consumer-apps
Energy and Lighting	www.ti.com/energy
Industrial	www.ti.com/industrial
Medical	www.ti.com/medical
Security	www.ti.com/security
Space, Avionics and Defense	www.ti.com/space-avionics-defense
Video and Imaging	www.ti.com/video

TI E2E Community

e2e.ti.com

Looking for pricing, stock, or lifecycle information?

Click below to explore more details on WIN SOURCE:

 [View SRC4382EVM-PDK on WIN SOURCE](#)

 [Texas Instruments](#) Information

Optimize Your Supply Chain with WIN SOURCE Solutions

-  Global Sourcing Solution
-  Obsolete Management
-  Cost Control Management
-  Shortage Management
-  Alternative Solution
-  Excess Inventory Management