



THE DATASHEET OF STEVAL-ISA036V1





STEVAL-ISA036V1

5 W wide range SMPS demonstration board for metering and motor control based on the ESBT[®] STC04IE170HP

Data Brief

Features

- Rectified minimum input voltage
 $V_{in_{min}}=200\text{ V}$
- Rectified maximum input voltage
 $V_{in_{max}}=1200\text{ V}$
- Isolated output voltage $V_{out1}=15\text{ V} / 66\text{ mA}$
- Primary side ground output voltage $V_{out2}=5\text{ V} / 0.6\text{ A}$
- Primary side ground output voltage
 $V_{out3}=15\text{ V} / 66\text{ mA}$
- Maximum output power $P_{out}=5\text{ W}$
- Converter efficiency @ $V_{indc}=400\text{ V}$, max load
> 65%



Description

This demonstration board implements a universal input power supply design for metering and motor drives applications. It has three outputs: two 15 V outputs, one of which is isolated and the other has a primary side ground. There is also a third 5 V output, which is often used to supply the microcontroller.

The design is based on the L6565 PWM driver and the STC04IE170HP, as the main switch.

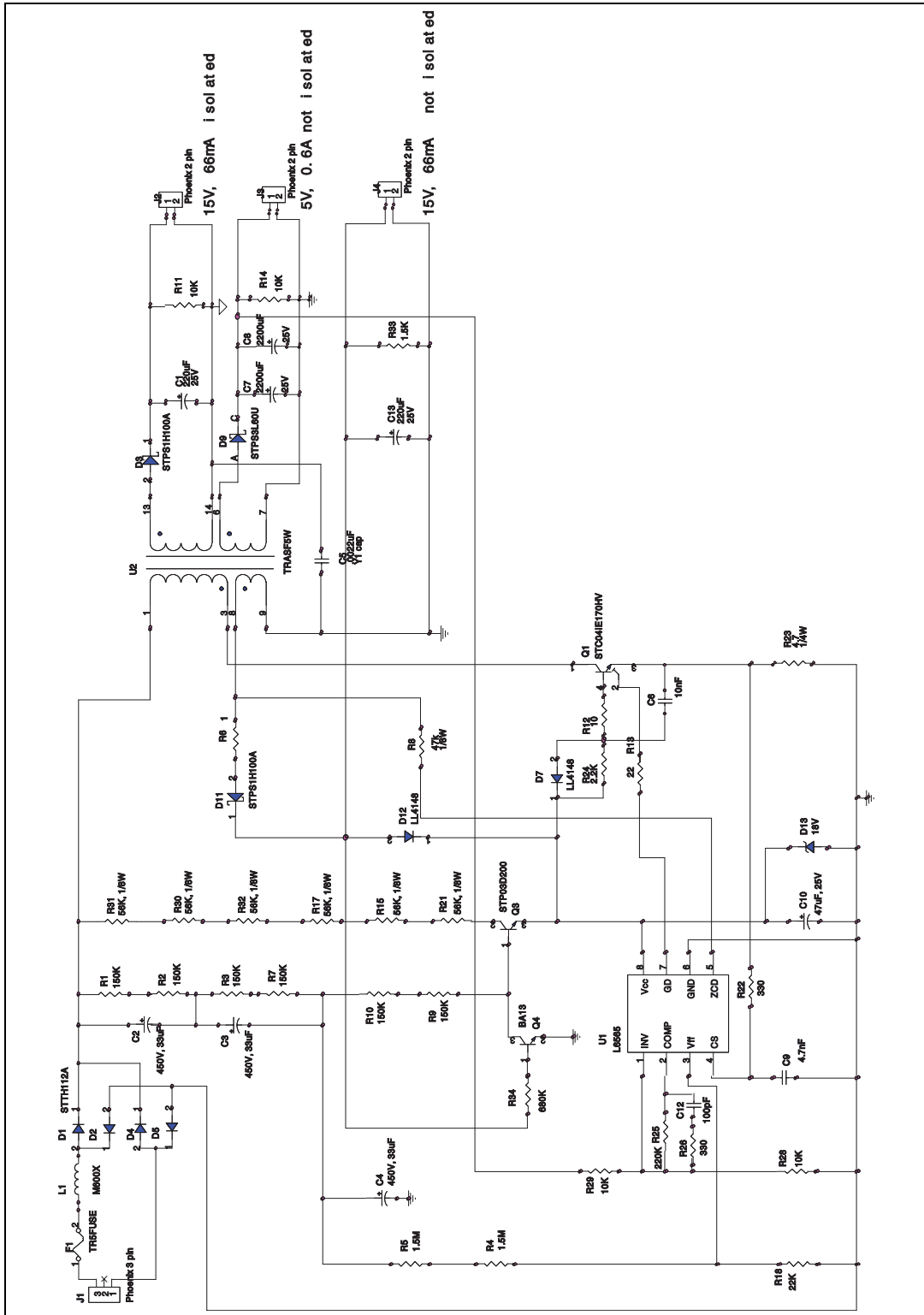
The design method, however, can also be applied to an SMPS for other applications working on a tri-phase mains, and can easily be upgraded for higher output power.

To achieve very high efficiency, despite the wide input voltage range, an active start-up network has been mounted on the board.

For more information regarding the design of an auxiliary power supply using ESBT[®] in flyback quasi-resonant (QR) topology with the L6565, refer to application notes AN2254 and AN2528. For base driving network design, refer to AN2454.

1 Circuit schematic

Figure 1. Schematic diagram



2 Revision history

Table 1. Document revision history

| Date | Revision | Changes |
|-------------|----------|------------------|
| 17-Feb-2009 | 1 | Initial release. |

Please Read Carefully:

Information in this document is provided solely in connection with ST products. STMicroelectronics NV and its subsidiaries ("ST") reserve the right to make changes, corrections, modifications or improvements, to this document, and the products and services described herein at any time, without notice.

All ST products are sold pursuant to ST's terms and conditions of sale.

Purchasers are solely responsible for the choice, selection and use of the ST products and services described herein, and ST assumes no liability whatsoever relating to the choice, selection or use of the ST products and services described herein.

No license, express or implied, by estoppel or otherwise, to any intellectual property rights is granted under this document. If any part of this document refers to any third party products or services it shall not be deemed a license grant by ST for the use of such third party products or services, or any intellectual property contained therein or considered as a warranty covering the use in any manner whatsoever of such third party products or services or any intellectual property contained therein.

UNLESS OTHERWISE SET FORTH IN ST'S TERMS AND CONDITIONS OF SALE ST DISCLAIMS ANY EXPRESS OR IMPLIED WARRANTY WITH RESPECT TO THE USE AND/OR SALE OF ST PRODUCTS INCLUDING WITHOUT LIMITATION IMPLIED WARRANTIES OF MERCHANTABILITY, FITNESS FOR A PARTICULAR PURPOSE (AND THEIR EQUIVALENTS UNDER THE LAWS OF ANY JURISDICTION), OR INFRINGEMENT OF ANY PATENT, COPYRIGHT OR OTHER INTELLECTUAL PROPERTY RIGHT.

UNLESS EXPRESSLY APPROVED IN WRITING BY AN AUTHORIZED ST REPRESENTATIVE, ST PRODUCTS ARE NOT RECOMMENDED, AUTHORIZED OR WARRANTED FOR USE IN MILITARY, AIR CRAFT, SPACE, LIFE SAVING, OR LIFE SUSTAINING APPLICATIONS, NOR IN PRODUCTS OR SYSTEMS WHERE FAILURE OR MALFUNCTION MAY RESULT IN PERSONAL INJURY, DEATH, OR SEVERE PROPERTY OR ENVIRONMENTAL DAMAGE. ST PRODUCTS WHICH ARE NOT SPECIFIED AS "AUTOMOTIVE GRADE" MAY ONLY BE USED IN AUTOMOTIVE APPLICATIONS AT USER'S OWN RISK.

Resale of ST products with provisions different from the statements and/or technical features set forth in this document shall immediately void any warranty granted by ST for the ST product or service described herein and shall not create or extend in any manner whatsoever, any liability of ST.

ST and the ST logo are trademarks or registered trademarks of ST in various countries.

Information in this document supersedes and replaces all information previously supplied.

The ST logo is a registered trademark of STMicroelectronics. All other names are the property of their respective owners.

© 2009 STMicroelectronics - All rights reserved

STMicroelectronics group of companies

Australia - Belgium - Brazil - Canada - China - Czech Republic - Finland - France - Germany - Hong Kong - India - Israel - Italy - Japan - Malaysia - Malta - Morocco - Singapore - Spain - Sweden - Switzerland - United Kingdom - United States of America

www.st.com

Looking for pricing, stock, or lifecycle information?

Click below to explore more details on WIN SOURCE:

- ⊖ [View STEVAL-ISA036V1 on WIN SOURCE](#)
- ⊖ [STMicroelectronics Information](#)

Optimize Your Supply Chain with WIN SOURCE Solutions

- ✓ Global Sourcing Solution
- ✓ Obsolete Management
- ✓ Cost Control Management
- ✓ Shortage Management
- ✓ Alternative Solution
- ✓ Excess Inventory Management