



**THE DATASHEET OF  
SM72445EVM/NOPB**



## **AN-2241 SM72445 Evaluation Board**

---

---

---

### **1 Introduction**

The SolarMagic™ SM72445 Evaluation Board is designed to demonstrate the operation and the capabilities of the SM72445 MPPT controller. The board consists of a high efficiency, four-switch Buck-Boost DC/DC converter and a bidirectional FET based switch designed to bypass the DC/DC converter for cases when DC/DC conversion is not needed and during failure of the DC/DC converter (over-current protection, over-temperature, and so forth). The board also includes auxiliary circuits such as driver, current sensor, temperature sensor and additional OVP circuitry.



The SM72445 is designed to maximize the energy production of a photovoltaic panel through the control of a four switch buck-boost converter as well as an optional FET bi-directional switch (two FETs) designed to maximize the efficiency at 1:1 conversion ratios. The maximum voltage and power transferred depend on the component choice (driver, passive components, FET, and so forth). The SM72445 performs optimization of the operating point of the solar panel through a high speed Perturb&Observe algorithm. The input voltage and current are sampled at a high rate and digitally filtered while the algorithm updates the output PWM waveform at a rate up to 1.2ms/step. The PWM waveforms include dead-time and can be directly fed to the drivers controlling the DC/DC converter's switches. The SM72445 is designed to operate at 110kHz, 137kHz and 220kHz depending on the operating mode set. The SM72445 includes an I2C slave module with 8 address settings to communicate monitoring information and to allow remote shut-down and configuration modifications.

The SolarMagic™ SM72445 Evaluation Board is based on of the SM3320-1A1 power optimizer, and shares all of its best-in-class power optimization features. This includes its ability to mitigate real-world mismatch, its 99.5% peak efficiency, and its Panel-Mode operation. In addition, the same ultra-low profile form factor of the original SM3320-1A1 is maintained so that it can be integrated into the same junction box designs.

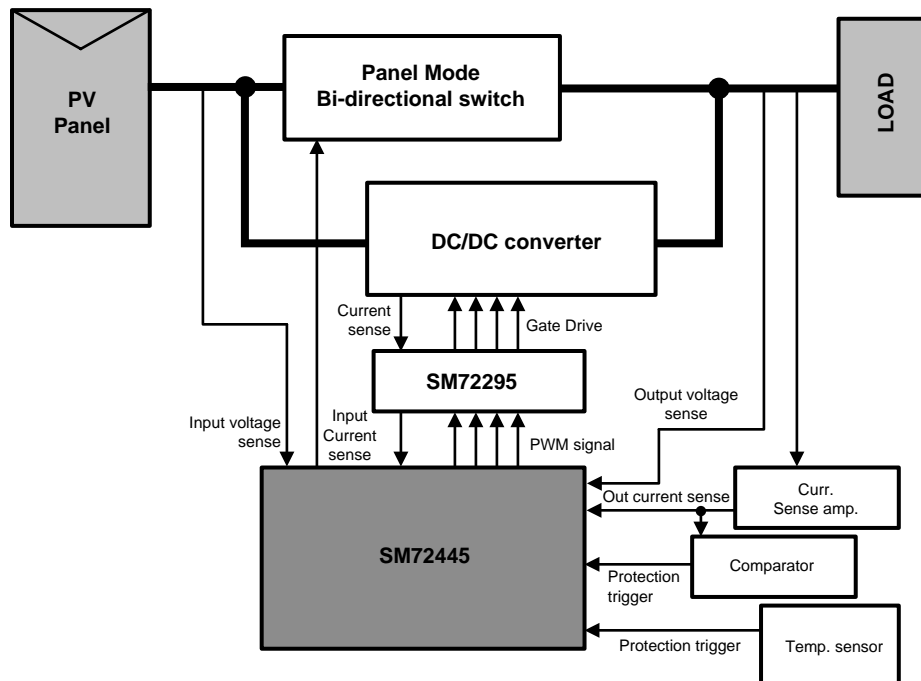
This evaluation module is fully operational and can be used with panels from 15V up to 50V (absolute) operating voltage and up to 300W of power. Proper heat-sinking of the Power FETs must be achieved for power levels above 50W at room temperature.

The absolute maximum output voltage is 50V. The maximum operating current is 11A.

### **2 System Overview**

**Figure 1** depicts how the SM72445 design would be implemented in its intended application. In this example, the SM72445 senses the input and output voltages and currents, filters them digitally and calculates power. It then issues four PWM pulses to the gate drivers to control the converter's switches. The SM72445 also operates an additional switch (called Panel-Mode or PM switch) to optimize efficiency when operating close to a 1:1 conversion ratio. Optionally, the switch can be omitted for reduced cost. The SM72445 then utilizes the converter at a 1:1 conversion ratio and increases efficiency by reducing the switching frequency of the converter

**Figure 6** shows the detailed schematic with component references.


**Figure 1. Evaluation Board Simplified Diagram**

### 3 SM72445 Evaluation Module Design Specification

| Symbol      | Parameter                            | Min    | Typ   | Max    |
|-------------|--------------------------------------|--------|-------|--------|
| $V_{MPP}$   | PV Module MPP Voltage                | 15 Vdc |       | 40Vdc  |
| $P_{MPP}$   | PV Module Power                      | 10 W   |       | 350 W  |
| $V_{OC}$    | PV Module Open Circuit Voltage       |        |       | 50 Vdc |
| $I_{SC}$    | PV Module Short-Circuit Current      |        |       | 11A    |
| $V_{OUT}$   | Output Voltage                       | 0 Vdc  |       | 43 Vdc |
| $I_{OUT}$   | Output Current                       |        |       | 12.5A  |
| OVP         | Overvoltage Protection Threshold     |        | 45V   |        |
| OTP         | Overtemperature Protection Threshold |        | 125°C |        |
| $MPP_{EFF}$ | MPP Efficiency                       |        | 98.5% |        |
| $PM_{EFF}$  | Panel-Mode Efficiency                |        | 99.5% |        |

#### Configuration Modes

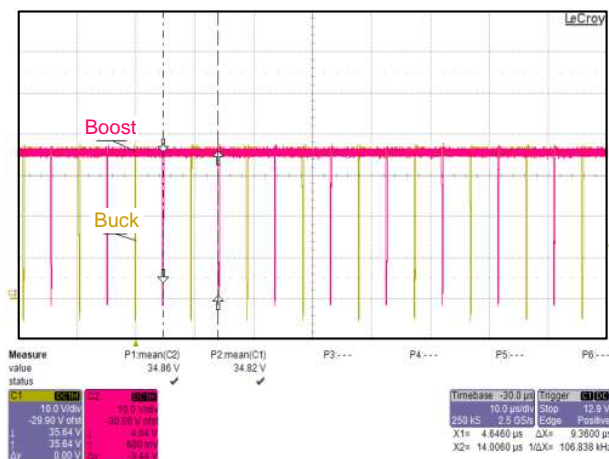
The SM72445 is configured through I2C communication or through resistor settings on pin A0, A2, A4 and A6. The default configuration setting on the board is:

| Pin name | Pin Voltage | Description  |
|----------|-------------|--|
| A0       | 3.0V        | "Soft" output voltage limit of 40V (AVOUT=3V)  |
| A2       | 0V          | 220kHz operation, uses dedicated FET switch for higher efficiency                            |
| A4       | 5.0V        | Internal current protection not used   |
| A6       | 1.56V       | Long slew rate limit, 60s in a 1:1 conversion ratio at start-up before enabling optimization |

Modifications to the configuration can be performed by changing the resistor settings. The change in configuration will only happen at start-up and during reset of the IC.

### “Panel Mode” Operation

The board is configured to use “Panel Mode” FETs to reach the highest possible efficiency at a 1:1 conversion ratio. The SM72445 will disconnect the DC/DC converter and turn on this switch whenever it detects that the panel is matched to the load. The detail of this operation can be found in the SM72445 datasheet. Alternatively, the SM72445 can be configured to run the DC/DC converter in a Panel-Mode behavior instead, driving the high-side FETs of the converter in a mostly ONstate (Figure 2) and achieving the same function as the dedicated Panel-Mode FETs. This option optimizes the component count and the cost of the solution but slightly reduces the efficiency of the system in the band close to a 1:1 conversion ratio. To configure the board in this mode, the resistor couple R29 and R39 can be changed to modify the voltage at pin A2. In addition, T1 should be removed. Check the Prog Max Pwr Point Tracking Cntrl w/ Adjustable PWM Frequency (SNVS795) data sheet for additional details on the different configuration settings.



**Figure 2. Panel Mode Operation Using Converter's FET (“Boost” waveform is taken at drain of Q3, “Buck” waveform was taken at drain of Q4.)**

### “SOFT” Output Voltage Limit

The soft output voltage limit of “Soft OVP” is designed to prevent the output voltage from reaching dangerous level when the system is running the converter in boost mode. This mechanism works by reducing the duty cycle of the converter when the voltage at pin AVOUT is increasing above the voltage at pin A0.

### Slew Rate Limit

The slew rate limit is designed to limit the rate of rise of the output voltage when and only when the converter is running in boost mode. The rise of the duty cycle will be limited to ensure that the output voltage will rise in a controlled manner, especially during transients such as when the load is reduced or gets removed (before the SM72445 returns in stand-by mode). To test the slew rate limit, start-up the system with a current load at 1.5A and with an input that has a maximum power point above 3A. The output voltage will increase very rapidly until it reaches the input voltage. The output voltage will then increase slowly above the input voltage as limited by the slew rate setting programmed.

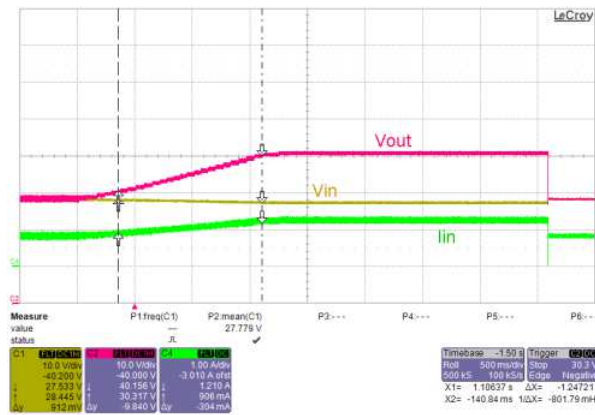


Figure 3. Slew Rate Limit (between the two markers) and Soft OVP (after the second marker)

### Startup

When starting up at no load, the SM72445 will increase the duty cycle until a 1:1 conversion ratio is reached. The system will then enter a stand-by mode and wait for the detection of power by sensing the output current. When the voltage on AIOUT rises above the internal threshold, the system will wait for a typical period of 64 seconds and exit the stand-by mode. This is to allow the proper start-up of a potential inverter connected to the string of panels in which the SM72445 based optimizer would be inserted. Upon exiting stand-by mode, the system will enter “PM mode” (see SM72445 datasheet for further explanation). MPPT will be enabled if power variation is detected. If no power variation is detected such as when the system is connected to a DC Electronic load for example, MPPT will be enabled only after the “PM mode” timer expires after an additional period of 64 seconds.

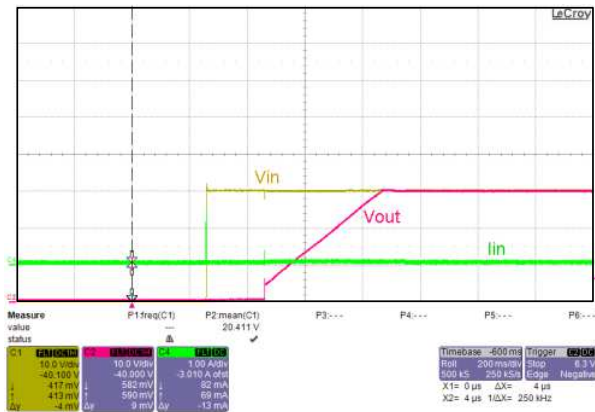


Figure 4. Start-Up Pattern With Unloaded Output

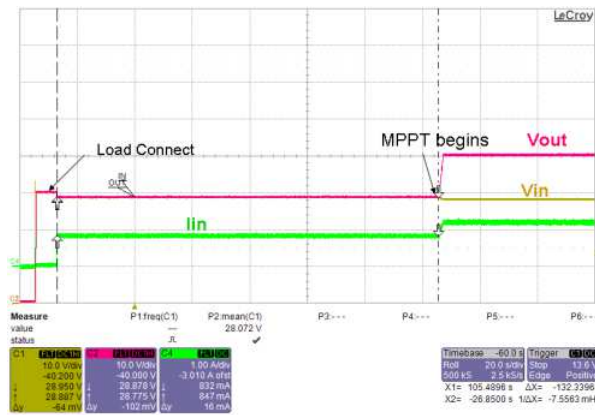


Figure 5. Load Connect and Stand-By Sequence After Start-Up

When a load is already present on the output of the board, the SM72445 will increase the duty cycle and immediately enable MPPT operation when the voltages on AIOUT and AIIN rise above the internal threshold.

#### Internal Current Protection

If the voltage at AIOUT rises above the value set in A4, the system will reset. If AIOUT is set at or above VDDA, this feature will be de-activated. The default setting for this board has this feature de-activated. Current protection is performed using an external comparator

#### Board Current Protection

The board features a current protection circuit with U11A activating the PM pin of the SM72445 and forcing the PM mode bypass switch to turn on (or the bridge to switch to 1:1 operation if the board is reconfigured) when the output current reaches 13.5A. The output current will then be limited by the input (solar panel) current. It is important to verify that the maximum solar panel current does not exceed the rating of the components.

#### Temperature Protection

U2 and U3 are strategically placed near the highest source of heat in the system (Q1 and Q4). When the temperature reaches the tripping point (120 C), the ICs will activate the PM mode of the SM72445 by forcing the PM pin low.

#### Over-Voltage Protection

U11B forces the SM72445 to reset if the output voltage rises above 44V.

#### Panel Mode Switch

Q5 and Q6 form a bi-directional switch controlled by the SM72445 and driven by U13 through T1. The SM72445 supplies a 440kHz square waveform to turn on the switch.

#### Gate Driver

U7 is a quad 3A gate driver (two high and two low). It contains high-side operational amplifiers and buffers used to sense the input current for MPPT purposes.

#### Heatsinking

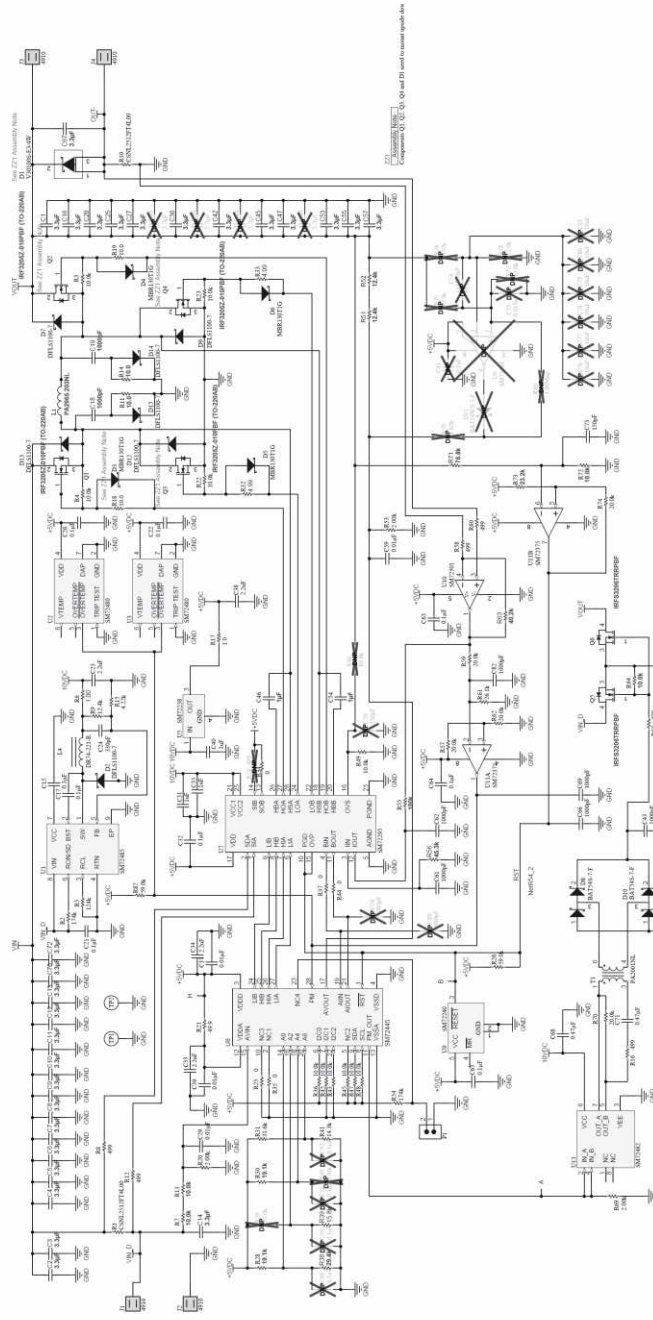
SM72445 evaluation board does not come with a heatsink. Therefore, in order to run the evaluation board at elevated power ratings, an appropriate heatsink should be added on Q1, Q2, Q3 and Q4 as well as diode D1. Care must be taken to prevent electrical contact between the drains of the MOSFETs in the process of proper heatsinking. At elevated power operation please note the increase in temperature across these semiconductor devices.

## Test Setup

To perform an evaluation on the SM72445 evaluation board, it is suggested that the user connect the input to a SAS (Solar Array Simulator) and the output to a load bank, preferably in Current mode (Voltage mode sometimes causes regulation issues with some electronic load when used with the evaluation board). The following sequence can be used to verify the operation of the board:

- **Connect S.A.S. to input.**
- **Connect Electronic load to output.**
- **Turn on SAS Verify proper startup pattern (see [Figure 4](#)).**
- **Set Electronic load to 2A and turn on Electronic load.**
- **Wait two minutes and verify that SAS is operating at Maximum Power Point. If output voltage is close to 40V, increase Electronic load current.**
- **Vary Electronic load current and verify that the SAS is operating at Maximum Power Point in step-up (lower load current) and step-down (higher load current) operation.**

**4 Schematic**



**Figure 6. Circuit Schematic**

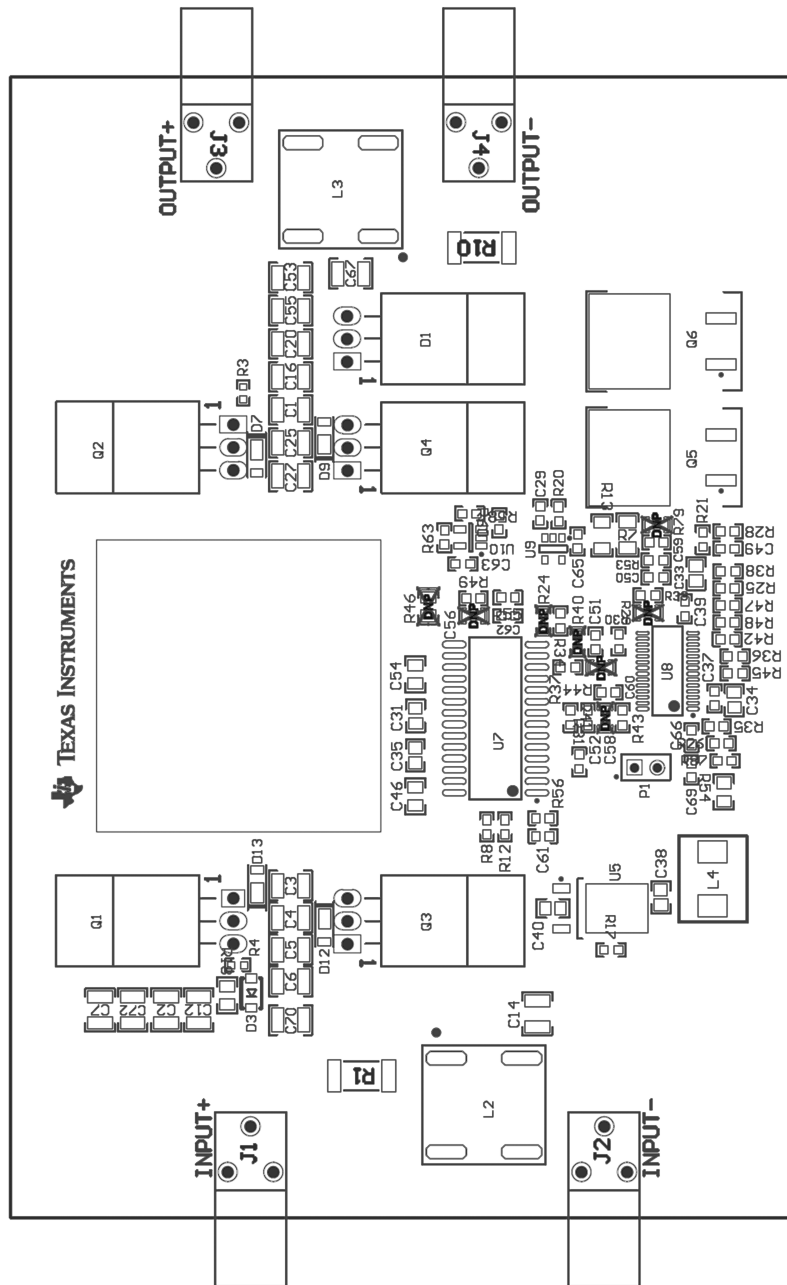


Figure 7. Top Assembly Diagram

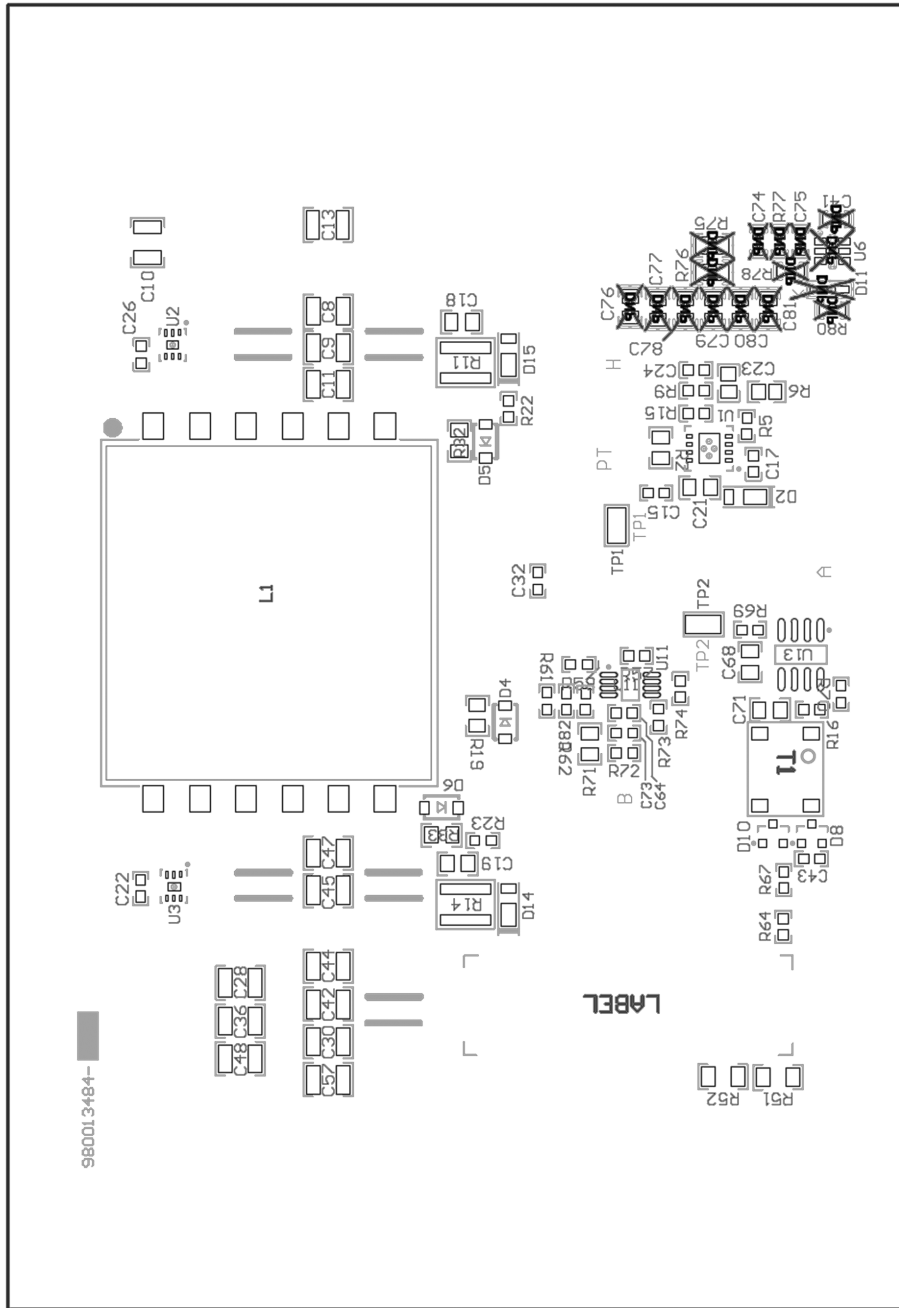


Figure 8. Bottom Assembly Diagram

**5 Bill of Material**
**Table 1. Bill of Material**

| Designator  | Part Description  | Qty. | Manufacturer              | Part number      |
|---|---|------|---------------------------|------------------|
| C1, C2, C3, C4, C5, C6, C7, C8, C9, C10, C11, C12, C13, C14, C16, C20, C25, C27, C30, C42, C45, C47, C53, C55, C57, C67, C70, C72 | CAP, CERM, 3.3 $\mu$ F, 50V, $\pm$ 20%, X7R, 1210                               | 28   | TDK                       | C3225X7R1H335M   |
| C15, C17, C22, C26, C32, C63, C64, C65  | CAP, CERM, 0.1 $\mu$ F, 16V, $\pm$ 10%, X7R, 0603                               | 8    | Taiyo Yuden               | EMK107B7104KA-T  |
| C18, C19  | CAP, CERM, 1000pF, 100V, $\pm$ 10%, X7R, 0805                                   | 2    | Kemet                     | C0805C102K1RACTU |
| C21   | CAP, CERM, 0.1 $\mu$ F, 100V, $\pm$ 10%, X7R, 0805                              | 1    | Kemet                     | C0805C104K1RACTU |
| C23, C33, C34, C38  | CAP, CERM, 2.2 $\mu$ F, 16V, $\pm$ 10%, X7R, 0805                               | 4    | Taiyo Yuden               | EMK212B7225KG-T  |
| C24   | CAP, CERM, 330pF, 50V, $\pm$ 10%, X7R, 0603                                     | 1    | Kemet                     | C0603C331K5RACTU |
| C29, C37, C39, C59  | CAP, CERM, 0.01 $\mu$ F, 50V, $\pm$ 10%, X7R, 0603                              | 4    | Kemet                     | C0603C103K5RACTU |
| C31, C35, C40, C46, C54   | CAP, CERM, 1 $\mu$ F, 16V, $\pm$ 10%, X7R, 0805                                 | 5    | Taiyo Yuden               | EMK212B7105KG-T  |
| C43, C61, C62, C66, C69, C82  | CAP, CERM, 1000pF, 50V, $\pm$ 10%, X7R, 0603                                    | 6    | Kemet                     | C0603C102K5RACTU |
| C68, C71  | CAP, CERM, 0.47 $\mu$ F, 16V, $\pm$ 10%, X7R, 0805                              | 2    | TDK                       | C2012X7R1C474K   |
| C73   | CAP, CERM, 150pF, 50V, $\pm$ 5%, C0G/NP0, 0603                                  | 1    | Kemet                     | C0603C151J5GACTU |
| D1  | DIODE SCHOTTKY 30A 100V TO-220AB  | 1    | Vishay-Semiconductor      | V30100S-E3/4W    |
| D2, D7, D9, D12, D13, D14, D15  | Diode, Schottky, 100V, 1A, PowerDI123   | 7    | Diodes Inc.               | DFLS1100-7       |
| D3, D4, D5, D6  | Diode, Schottky, 30V, 1A, SOD-123   | 4    | ON Semiconductor          | MBR130T1G        |
| D8, D10   | Diode, Schottky, 30V, 0.2A, SOT-23  | 2    | Diodes Inc.               | BAT54S-7-F       |
| J1, J2, J3, J4  | PC Quick-Fit 0.250 Horizontal Tab   | 4    | Keystone Electronics      | 4910             |
| L1  | Inductor 20 $\mu$ H EFD-30 core   | 1    | Pulse Electronics         | PA2965.203NL     |
| L2, L3  | Choke, Filter   | 2    | Pulse                     | PA2972NL         |
| L4  | Inductor, Shielded Drum Core, Ferrite, 220 $\mu$ H, 0.56A, 0.907 $\Omega$ , SMD | 1    | Coiltronics               | DR74-221-R       |
| P1  | Header, TH, 100mil, 1x2, Tin plated, 230 mil above insulator                    | 1    | Samtec Inc.               | TSW-102-07-T-S   |
| Q1, Q2, Q3, Q4  | MOSFET 55V, 6.5m $\Omega$   | 4    | International Rectifier   | IRF3205Z-010PBF  |
| Q5, Q6  | MOSFET 60V, 2.4m $\Omega$   | 2    | International Rectifier   | IRFS3206TRRPBF   |
| R1, R10   | RES .004 $\Omega$ 2W 1% 2512 SMD  | 2    | Stackpole Electronics Inc | CSNL2512FT4L00   |
| R2, R54   | RES, 174k $\Omega$ , 1%, 0.125W, 0805   | 2    | Vishay-Dale               | CRCW0805174KFKEA |
| R3, R4, R22, R23, R36, R42, R43, R45, R47, R48, R49, R64, R72   | RES, 10.0k $\Omega$ , 1%, 0.1W, 0603  | 13   | Vishay-Dale               | CRCW060310k0FKEA |
| R5  | RES, 124k $\Omega$ , 1%, 0.1W, 0603   | 1    | Vishay-Dale               | CRCW0603124kFKEA |
| R6  | RES, 1.00 $\Omega$ , 1%, 0.125W, 0805   | 1    | Vishay-Dale               | CRCW08051R00FNEA |
| R7, R13   | RES, 10.0k $\Omega$ , 1%, 0.25W, 1206   | 2    | Vishay-Dale               | CRCW120610K0FKEA |
| R8, R12, R16, R58, R60, R67   | RES, 499 $\Omega$ , 1%, 0.1W, 0603  | 6    | Vishay-Dale               | CRCW0603499RFKEA |
| R9  | RES, 12.4k $\Omega$ , 1%, 0.1W, 0603  | 1    | Vishay-Dale               | CRCW060312k4FKEA |
| R11, R14  | RES, 10.0 $\Omega$ , 1%, 1W, 1218 SMD   | 2    | Vishay-Dale               | CRCW121810R0FKEK |

**Table 1. Bill of Material (continued)**

| Designator                 | Part Description   | Qty. | Manufacturer         | Part number      |
|----------------------------|--|------|----------------------|------------------|
| R15                        | RES, 4.22k $\Omega$ , 1%, 0.1W, 0603   | 1    | Vishay-Dale          | CRCW06034k22FKEA |
| R17                        | RES, 1.0 $\Omega$ , 1%, 0.1W, 0603   | 1    | Panasonic            | ERJ3RQF1R0V      |
| R18, R19                   | RES, 10.0 $\Omega$ , 1%, 0.125W, 0805  | 2    | Vishay-Dale          | CRCW080510R0FKEA |
| R20, R53, R69              | RES, 2.00k $\Omega$ , 1%, 0.1W, 0603   | 3    | Vishay-Dale          | CRCW06032k00FKEA |
| R21                        | RES, 49.9 $\Omega$ , 1%, 0.1W, 0603  | 1    | Vishay-Dale          | CRCW060349R9FKEA |
| R25, R34, R35,<br>R37, R44 | RES, 0 $\Omega$ , 5%, 0.1W, 0603   | 5    | Vishay-Dale          | CRCW06030000Z0EA |
| R26, R87                   | RES, 59.0k $\Omega$ , 1%, 0.1W, 0603   | 2    | Vishay-Dale          | CRCW060359K0FKEA |
| R28, R30                   | RES, 19.1k $\Omega$ , 1%, 0.1W, 0603   | 2    | Vishay-Dale          | CRCW060319K1FKEA |
| R31                        | RES, 31.6k $\Omega$ , 1%, 0.1W, 0603   | 1    | Vishay-Dale          | CRCW060331K6FKEA |
| R32, R33                   | RES, 4.99 $\Omega$ , 1%, 0.125W, 0805  | 2    | Vishay-Dale          | CRCW08054R99FNEA |
| R38                        | RES, 29.4k $\Omega$ , 1%, 0.1W, 0603   | 1    | Vishay-Dale          | CRCW060329K4FKEA |
| R39                        | RES, 15.8k $\Omega$ , 1%, 0.1W, 0603   | 1    | Vishay-Dale          | CRCW060315K8FKEA |
| R41                        | RES, 14.3k $\Omega$ , 1%, 0.1W, 0603   | 1    | Vishay-Dale          | CRCW060314K3FKEA |
| R51, R52                   | RES, 12.4k $\Omega$ , 1%, 0.25W, 1206  | 2    | Vishay-Dale          | CRCW120612K4FKEA |
| R55                        | RES, 100k $\Omega$ , 1%, 0.1W, 0603  | 1    | Vishay-Dale          | CRCW0603100KFKEA |
| R56                        | RES, 45.3k $\Omega$ , 1%, 0.1W, 0603   | 1    | Vishay-Dale          | CRCW060345K3FKEA |
| R57, R59, R62,<br>R70, R74 | RES, 20.0k $\Omega$ , 1%, 0.1W, 0603   | 5    | Vishay-Dale          | CRCW060320K0FKEA |
| R61                        | RES, 26.1k $\Omega$ , 1%, 0.1W, 0603   | 1    | Vishay-Dale          | CRCW060326K1FKEA |
| R63                        | RES, 40.2k $\Omega$ , 1%, 0.1W, 0603   | 1    | Vishay-Dale          | CRCW060340K2FKEA |
| R71                        | RES, 76.8k $\Omega$ , 1%, 0.125W, 0805   | 1    | Vishay-Dale          | CRCW080576K8FKEA |
| R73                        | RES, 23.2k $\Omega$ , 1%, 0.1W, 0603   | 1    | Vishay-Dale          | CRCW060323K2FKEA |
| T1                         | SMT GATE TRANS 1:1 1500V 403 uH 0.60R  | 1    | Pulse Electronics    | PA2001NL         |
| TP1, TP2                   | Test Point, SMT, Miniature   | 2    | Keystone Electronics | 5015             |
| U1                         | 100V, 150 mA Constant On-Time Buck Switching Regulator                             | 1    | Texas Instruments    | SM72485          |
| U2, U3                     | 1.6V, LLP-6 Factory Preset Temperature Switch and Temperature Sensor               | 2    | Texas Instruments    | SM72480          |
| U5                         | 5V Micropower Voltage Regulator  | 1    | Texas Instruments    | SM72238          |
| U7                         | Photovoltaic Full Bridge Driver  | 1    | Texas Instruments    | SM72295          |
| U8                         | Programmable Maximum Power Point Tracking Controller With Adjustable PWM Frequency | 1    | Texas Instruments    | SM72445          |
| U9                         | 5-Pin Microprocessor Reset Circuits  | 1    | Texas Instruments    | SM72240          |
| U10                        | Precision, CMOS Input, RRIO, Wide Supply Range Amplifier                           | 1    | Texas Instruments    | SM72501          |
| U11                        | Dual Micropower Rail-To-Rail Input CMOS Comparator with Open Drain Output          | 1    | Texas Instruments    | SM72375          |
| U13                        | Dual 5A Compound Gate Driver   | 1    | Texas Instruments    | SM72482          |

## IMPORTANT NOTICE

Texas Instruments Incorporated and its subsidiaries (TI) reserve the right to make corrections, enhancements, improvements and other changes to its semiconductor products and services per JESD46, latest issue, and to discontinue any product or service per JESD48, latest issue. Buyers should obtain the latest relevant information before placing orders and should verify that such information is current and complete. All semiconductor products (also referred to herein as "components") are sold subject to TI's terms and conditions of sale supplied at the time of order acknowledgment.

TI warrants performance of its components to the specifications applicable at the time of sale, in accordance with the warranty in TI's terms and conditions of sale of semiconductor products. Testing and other quality control techniques are used to the extent TI deems necessary to support this warranty. Except where mandated by applicable law, testing of all parameters of each component is not necessarily performed.

TI assumes no liability for applications assistance or the design of Buyers' products. Buyers are responsible for their products and applications using TI components. To minimize the risks associated with Buyers' products and applications, Buyers should provide adequate design and operating safeguards.

TI does not warrant or represent that any license, either express or implied, is granted under any patent right, copyright, mask work right, or other intellectual property right relating to any combination, machine, or process in which TI components or services are used. Information published by TI regarding third-party products or services does not constitute a license to use such products or services or a warranty or endorsement thereof. Use of such information may require a license from a third party under the patents or other intellectual property of the third party, or a license from TI under the patents or other intellectual property of TI.

Reproduction of significant portions of TI information in TI data books or data sheets is permissible only if reproduction is without alteration and is accompanied by all associated warranties, conditions, limitations, and notices. TI is not responsible or liable for such altered documentation. Information of third parties may be subject to additional restrictions.

Resale of TI components or services with statements different from or beyond the parameters stated by TI for that component or service voids all express and any implied warranties for the associated TI component or service and is an unfair and deceptive business practice. TI is not responsible or liable for any such statements.

Buyer acknowledges and agrees that it is solely responsible for compliance with all legal, regulatory and safety-related requirements concerning its products, and any use of TI components in its applications, notwithstanding any applications-related information or support that may be provided by TI. Buyer represents and agrees that it has all the necessary expertise to create and implement safeguards which anticipate dangerous consequences of failures, monitor failures and their consequences, lessen the likelihood of failures that might cause harm and take appropriate remedial actions. Buyer will fully indemnify TI and its representatives against any damages arising out of the use of any TI components in safety-critical applications.

In some cases, TI components may be promoted specifically to facilitate safety-related applications. With such components, TI's goal is to help enable customers to design and create their own end-product solutions that meet applicable functional safety standards and requirements. Nonetheless, such components are subject to these terms.

No TI components are authorized for use in FDA Class III (or similar life-critical medical equipment) unless authorized officers of the parties have executed a special agreement specifically governing such use.

Only those TI components which TI has specifically designated as military grade or "enhanced plastic" are designed and intended for use in military/aerospace applications or environments. Buyer acknowledges and agrees that any military or aerospace use of TI components which have **not** been so designated is solely at the Buyer's risk, and that Buyer is solely responsible for compliance with all legal and regulatory requirements in connection with such use.

TI has specifically designated certain components as meeting ISO/TS16949 requirements, mainly for automotive use. In any case of use of non-designated products, TI will not be responsible for any failure to meet ISO/TS16949.

### Products

|                              |  |
|------------------------------|--|
| Audio                        | <a href="http://www.ti.com/audio">www.ti.com/audio</a>                               |
| Amplifiers                   | <a href="http://amplifier.ti.com">amplifier.ti.com</a>                               |
| Data Converters              | <a href="http://dataconverter.ti.com">dataconverter.ti.com</a>                       |
| DLP® Products                | <a href="http://www.dlp.com">www.dlp.com</a>   |
| DSP                          | <a href="http://dsp.ti.com">dsp.ti.com</a>   |
| Clocks and Timers            | <a href="http://www.ti.com/clocks">www.ti.com/clocks</a>                             |
| Interface                    | <a href="http://interface.ti.com">interface.ti.com</a>                               |
| Logic                        | <a href="http://logic.ti.com">logic.ti.com</a>                                       |
| Power Mgmt                   | <a href="http://power.ti.com">power.ti.com</a>                                       |
| Microcontrollers             | <a href="http://microcontroller.ti.com">microcontroller.ti.com</a>                   |
| RFID                         | <a href="http://www.ti-rfid.com">www.ti-rfid.com</a>                                 |
| OMAP Applications Processors | <a href="http://www.ti.com/omap">www.ti.com/omap</a>                                 |
| Wireless Connectivity        | <a href="http://www.ti.com/wirelessconnectivity">www.ti.com/wirelessconnectivity</a> |

### Applications

|                               |  |
|-------------------------------|--|
| Automotive and Transportation | <a href="http://www.ti.com/automotive">www.ti.com/automotive</a>                         |
| Communications and Telecom    | <a href="http://www.ti.com/communications">www.ti.com/communications</a>                 |
| Computers and Peripherals     | <a href="http://www.ti.com/computers">www.ti.com/computers</a>                           |
| Consumer Electronics          | <a href="http://www.ti.com/consumer-apps">www.ti.com/consumer-apps</a>                   |
| Energy and Lighting           | <a href="http://www.ti.com/energy">www.ti.com/energy</a>                                 |
| Industrial                    | <a href="http://www.ti.com/industrial">www.ti.com/industrial</a>                         |
| Medical                       | <a href="http://www.ti.com/medical">www.ti.com/medical</a>                               |
| Security                      | <a href="http://www.ti.com/security">www.ti.com/security</a>                             |
| Space, Avionics and Defense   | <a href="http://www.ti.com/space-avionics-defense">www.ti.com/space-avionics-defense</a> |
| Video and Imaging             | <a href="http://www.ti.com/video">www.ti.com/video</a>                                   |

### TI E2E Community

[e2e.ti.com](http://e2e.ti.com)

## Looking for pricing, stock, or lifecycle information?

Click below to explore more details on WIN SOURCE:

 [View SM72445EVM/NOPB on WIN SOURCE](#)

 [Texas Instruments](#) Information

## Optimize Your Supply Chain with WIN SOURCE Solutions

-  Global Sourcing Solution
-  Obsolete Management
-  Cost Control Management
-  Shortage Management
-  Alternative Solution
-  Excess Inventory Management