

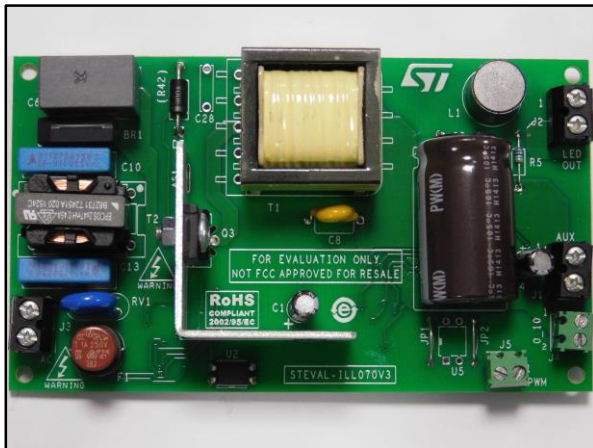


THE DATASHEET OF STEVAL-ILL070V3



35 W dimmable single string LED driver using HVLED001 in FOT mode

Data brief



Features

- Input voltage: V_{IN} : 90 - 305 V_{RMS} , f: 45-66 Hz
- Output current: 700 mA ($V_{LED} = 24$ V to 48 V)
- Dimming: 100% to 10% (any condition)
- Dimming interfaces: 0-10 V and PWM input
- High power factor, low THD
- Efficiency: > 90% @ full load
- Open load voltage limiting
- RoHS compliant

Description

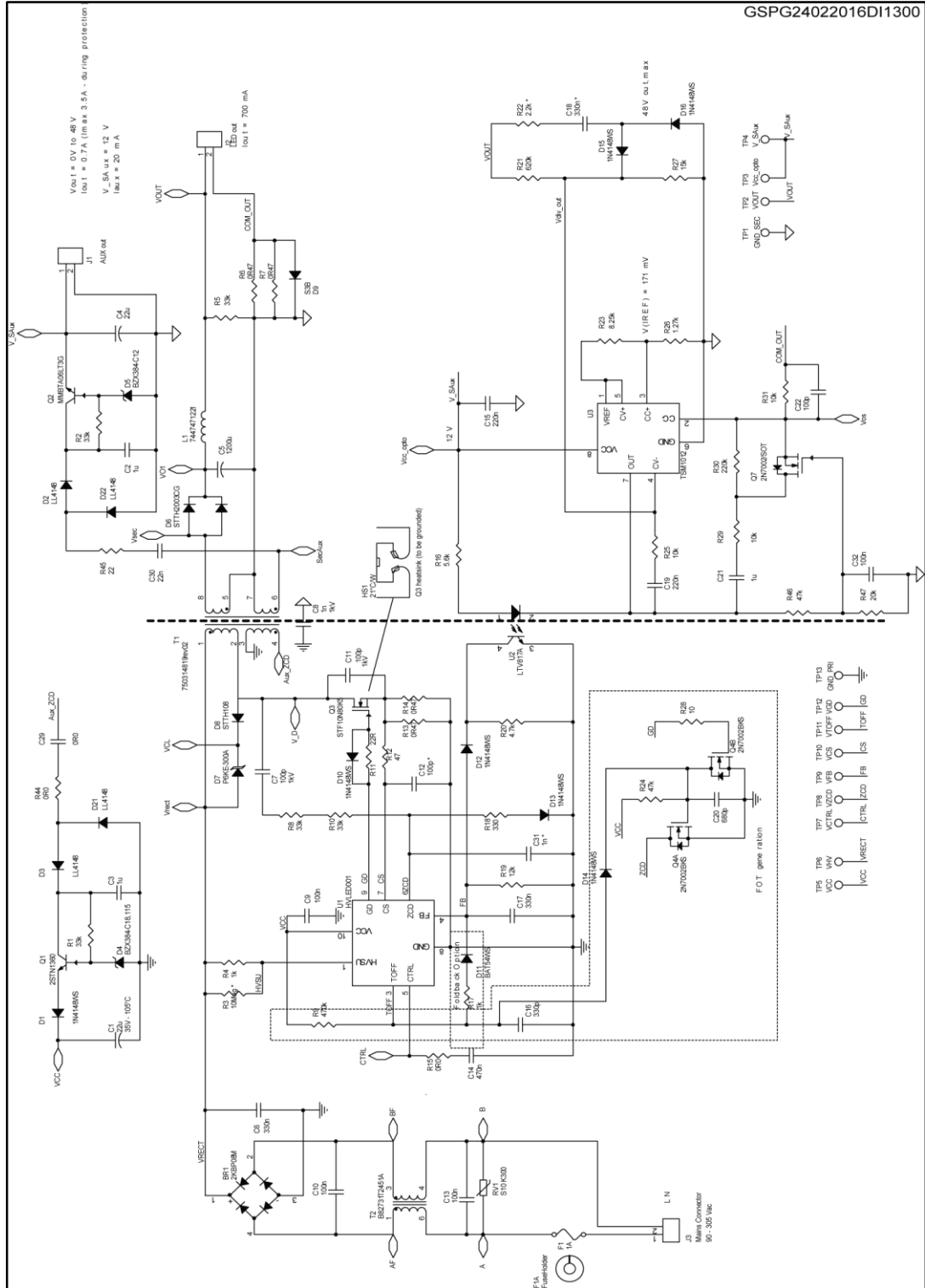
The STEVAL-ILL070V3 is designed to drive a single LED string with a maximum output current of 700 mA. The LED current can be finely adjusted using either a 0-10 V interface or a PWM signal (for example provided by a microcontroller) on the SELV portion of the board.

The universal input capability makes this board suitable in worldwide designs. An auxiliary 12 V output is also present to supply small circuitries (e.g. a potentiometer to drive the 0-10 V input) providing a maximum current of 10 mA.

A very high power factor and high efficiency are obtained even under light loads thanks to the "fixed OFF time" operation of HVLED001. Input voltage variations, excessive input voltage (overvoltage like surges or bursts) or very low input voltages are managed by some of the protections on the HVLED001, improving the reliability of the application. Output open circuit and overload protections trigger auto-restart for safe operation in lighting environments.

1 Schematic diagram

Figure 1: STEVAL-ILL070V3 board schematic part 1



2 Revision history

Table 1: Document revision history

Date	Version	Changes
23-Feb-2016	1	Initial release.
03-Mar-2016	2	Updated: schematic diagram.

IMPORTANT NOTICE – PLEASE READ CAREFULLY

STMicroelectronics NV and its subsidiaries ("ST") reserve the right to make changes, corrections, enhancements, modifications, and improvements to ST products and/or to this document at any time without notice. Purchasers should obtain the latest relevant information on ST products before placing orders. ST products are sold pursuant to ST's terms and conditions of sale in place at the time of order acknowledgement.

Purchasers are solely responsible for the choice, selection, and use of ST products and ST assumes no liability for application assistance or the design of Purchasers' products.

No license, express or implied, to any intellectual property right is granted by ST herein.

Resale of ST products with provisions different from the information set forth herein shall void any warranty granted by ST for such product.



ST and the ST logo are trademarks of ST. All other product or service names are the property of their respective owners.

Information in this document supersedes and replaces information previously supplied in any prior versions of this document.

© 2016 STMicroelectronics – All rights reserved

Looking for pricing, stock, or lifecycle information?

Click below to explore more details on WIN SOURCE:

-  [View STEVAL-ILL070V3 on WIN SOURCE](#)
-  [STMicroelectronics Information](#)

Optimize Your Supply Chain with WIN SOURCE Solutions

-  Global Sourcing Solution
-  Obsolete Management
-  Cost Control Management
-  Shortage Management
-  Alternative Solution
-  Excess Inventory Management