



THE DATASHEET OF STEVAL-ILL030V1





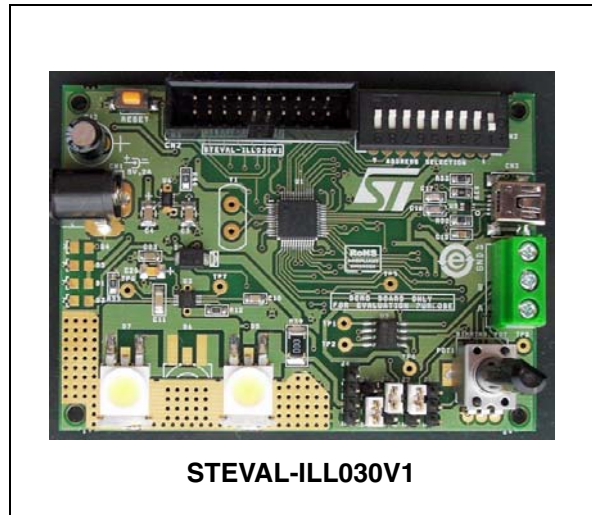
STEVAL-ILL030V1

LED lighting control demonstration board using DMX512 based on the STM32F103C6 and STCS1A

Data brief

Features

- Jumper settings to configure the board in transmitter, receiver or standalone mode
- The STCS1A device provides dimming control of the on-board LEDs
- Over/undervoltage protection using the STBP120 voltage protection device
- Uses the ESDAULC6-3BP6 ESD protection device for advanced USB protection
- Option of powering the LEDs through an external power supply, or through a 5 V power supply output from the STBP120
- Board uses an internal clock source, without a crystal
- Mini-B type USB connector can be used if power for LEDs is supplied separately from external source
- RoHS compliant



Description

The purpose of the STEVAL-ILL030V1 demonstration board is to demonstrate the performance of ST devices in an LED lighting control application, using the DMX512 communication protocol demonstration firmware in transmitter, receiver and standalone modes.

The USART (universal synchronous asynchronous receiver transmitter) module of the STM32F103C6 ARM 32-bit Cortex™-M3 microcontroller is used to transmit/receive data via an RS-485 transceiver. The transmitter sends DMX512 packets with a NULL START code, according to the DMX512 2008 standard.

1 Schematic diagrams

Figure 1. STM32F103C6 microcontroller section

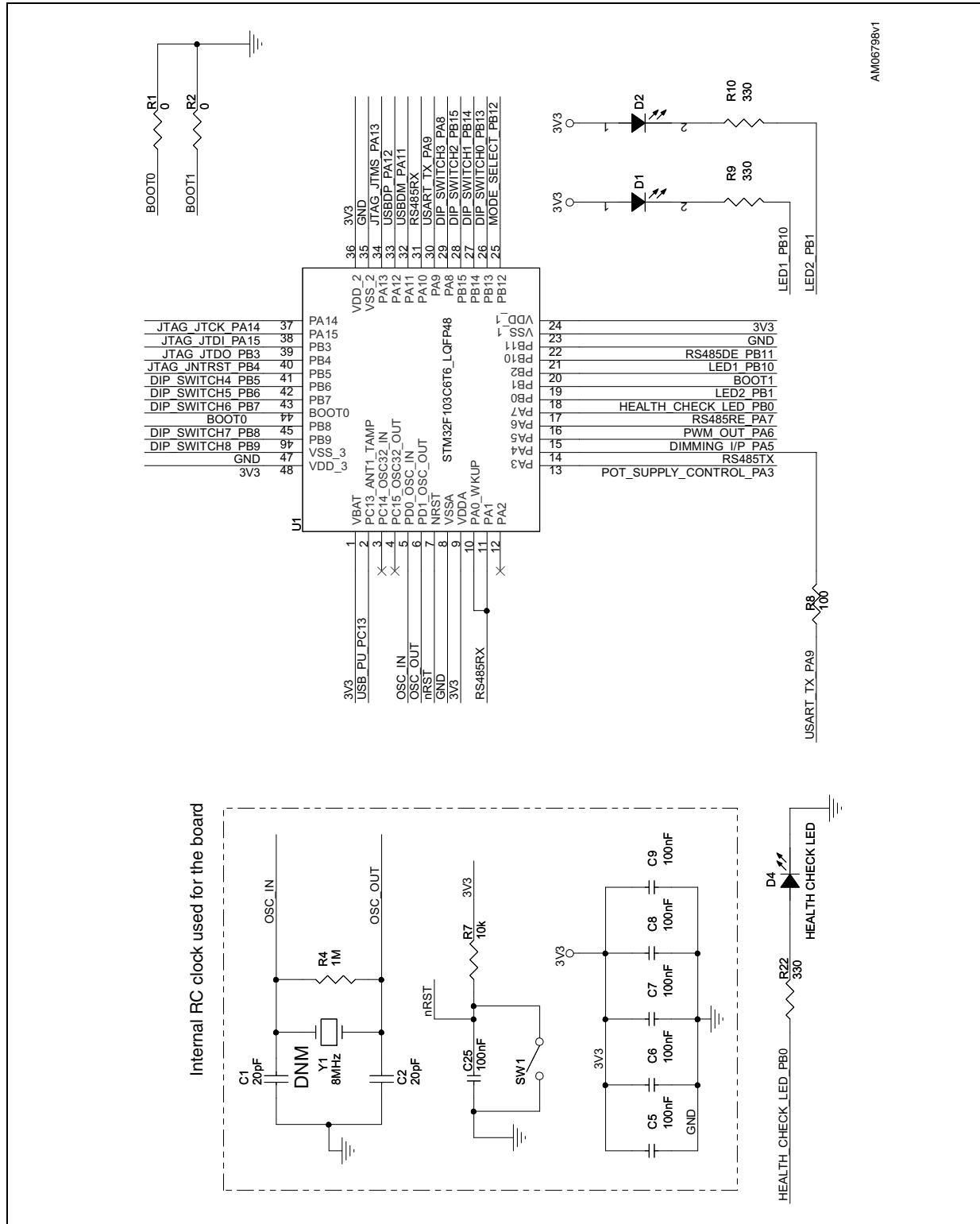


Figure 2. ST485AB section

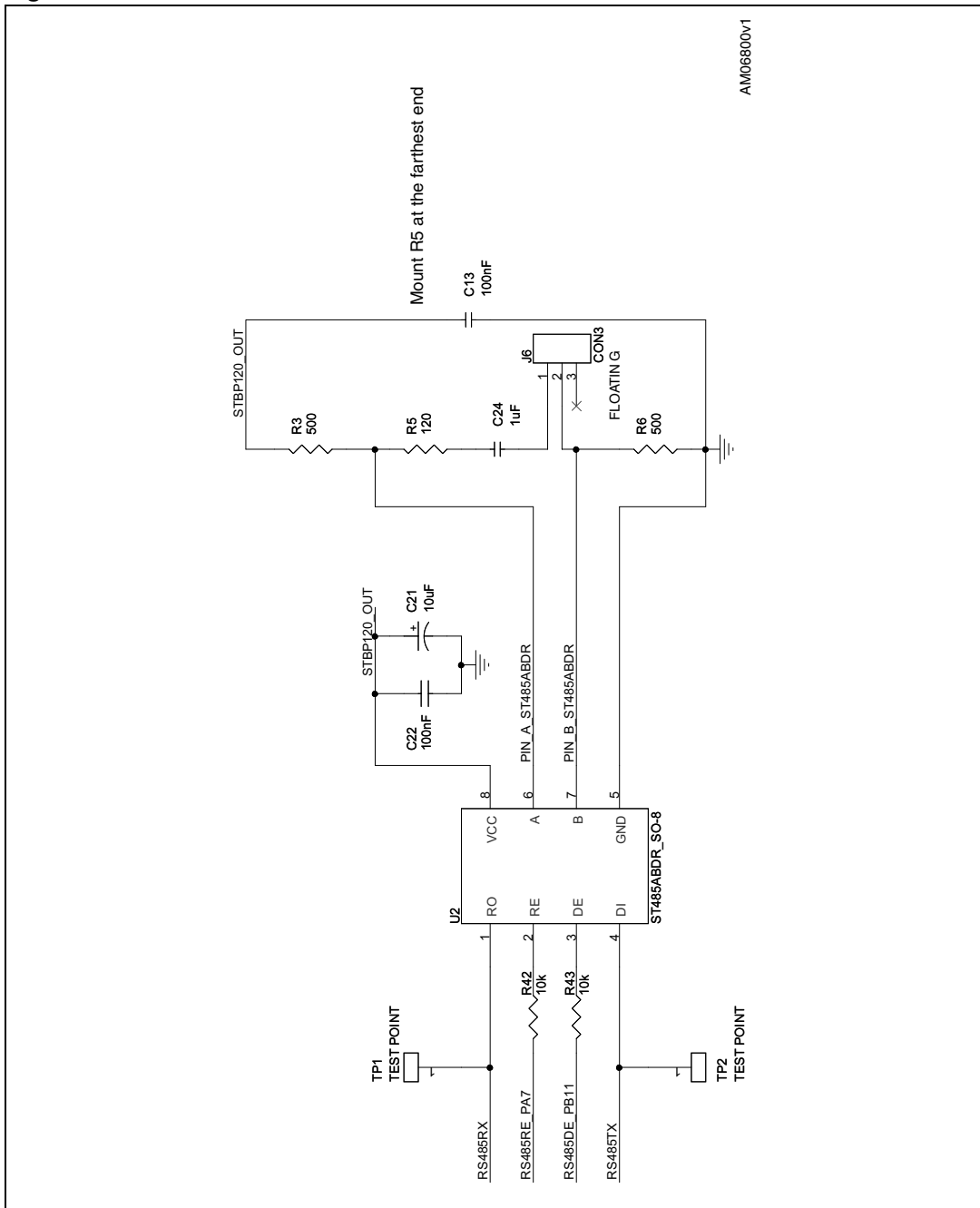


Figure 3. DIP switch section

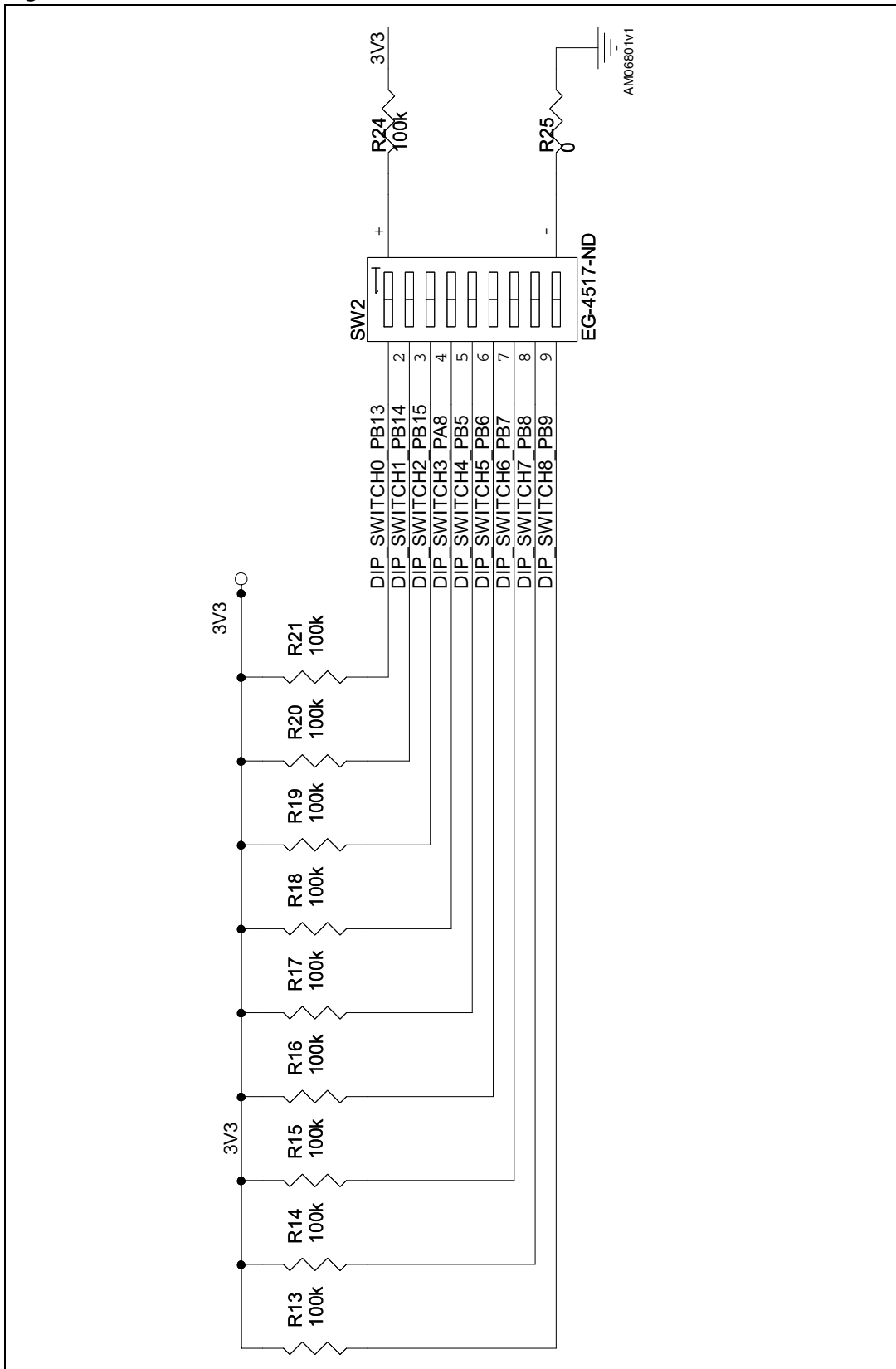


Figure 4. 3.3 V output section

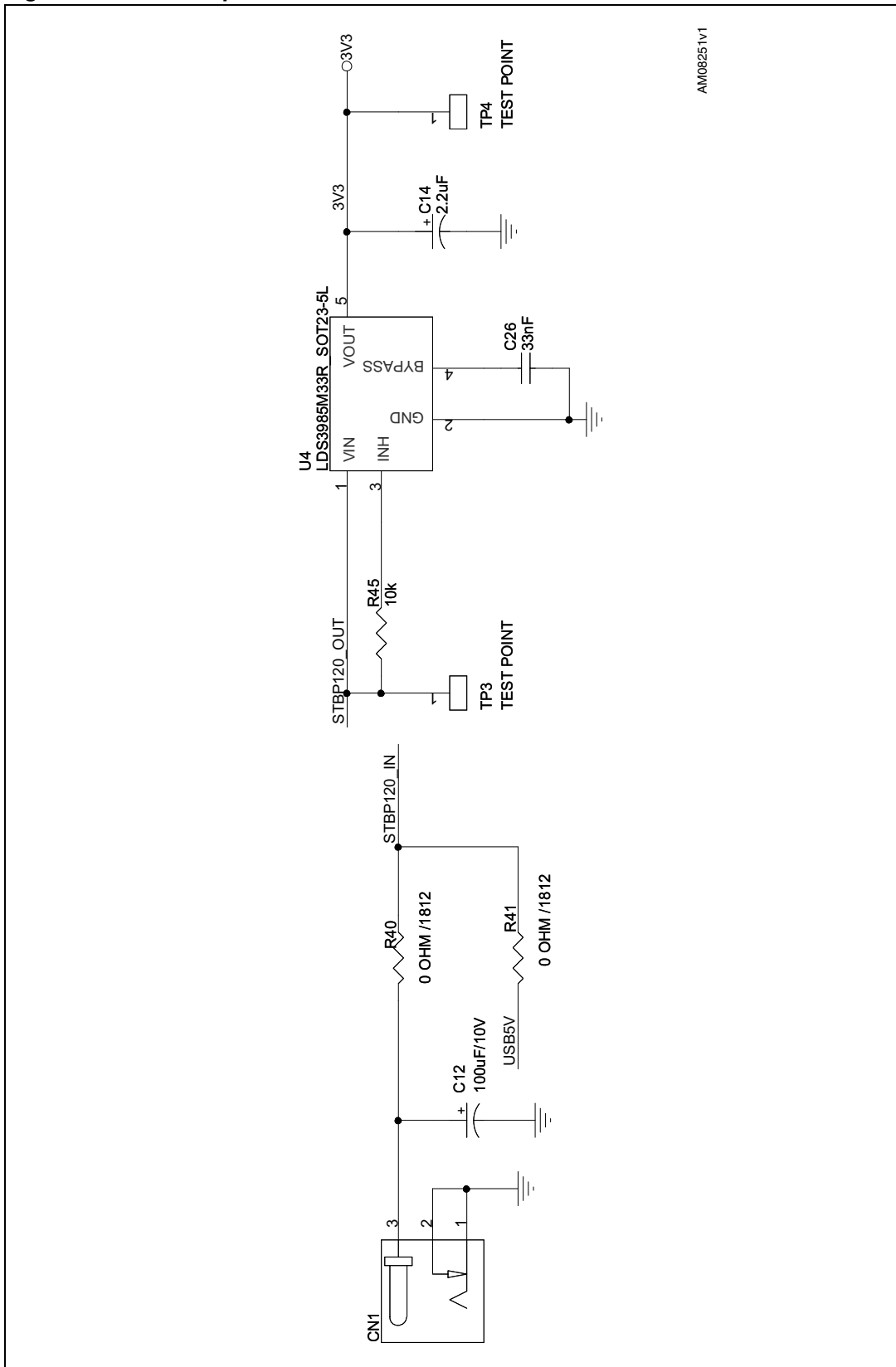


Figure 5. JTAG connector section

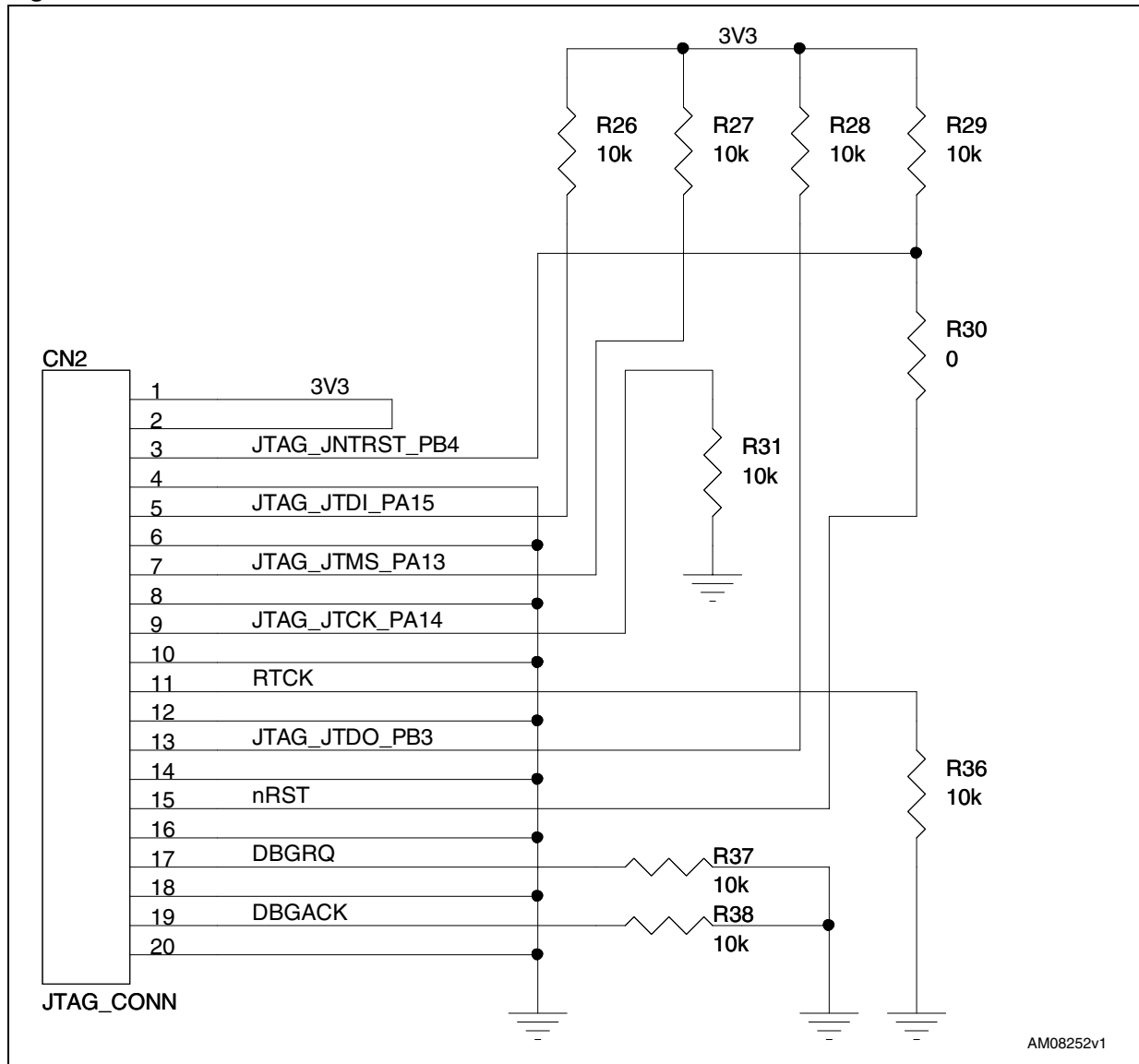


Figure 7. STCS1A LED driver section

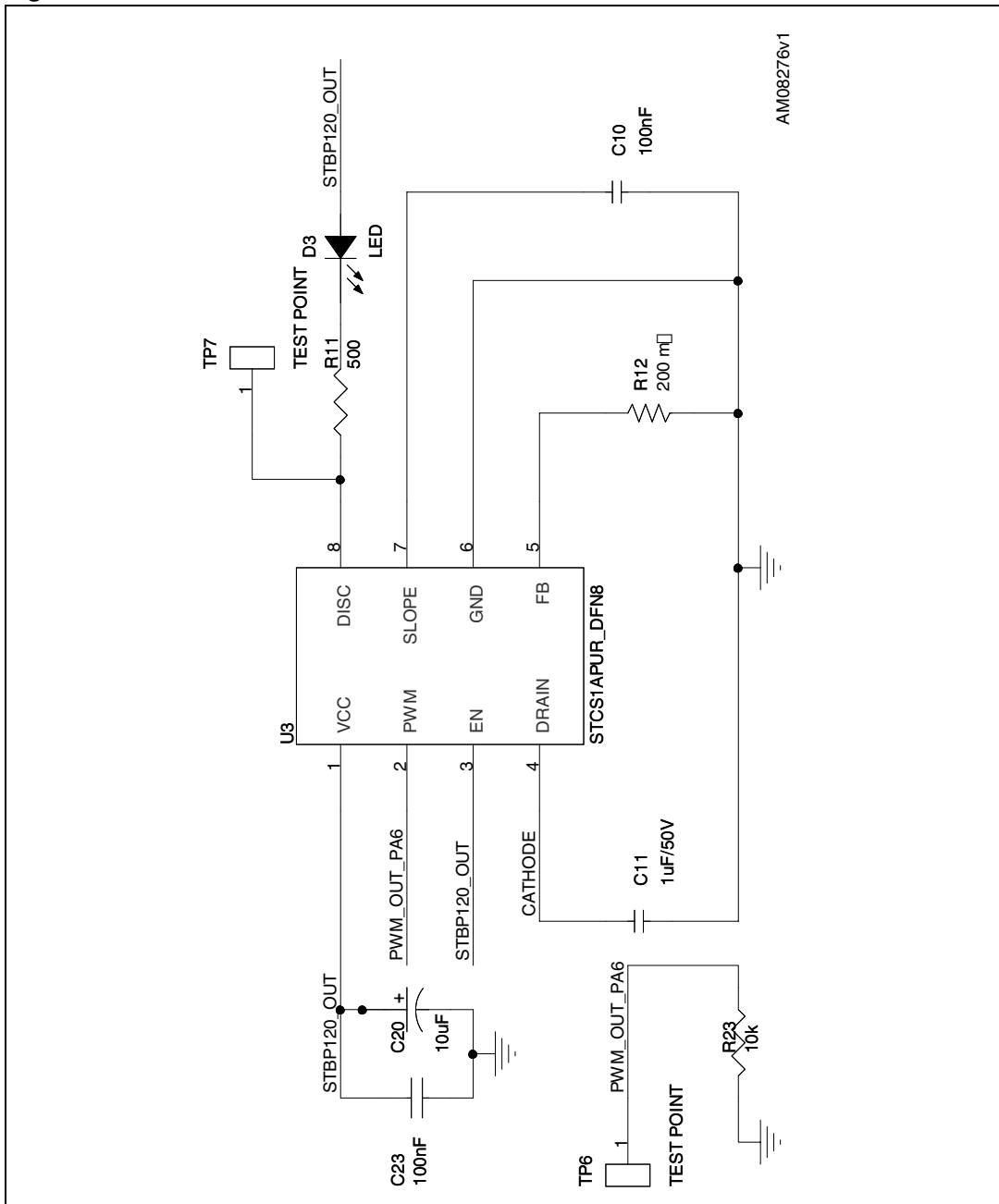


Figure 8. STBP120 section

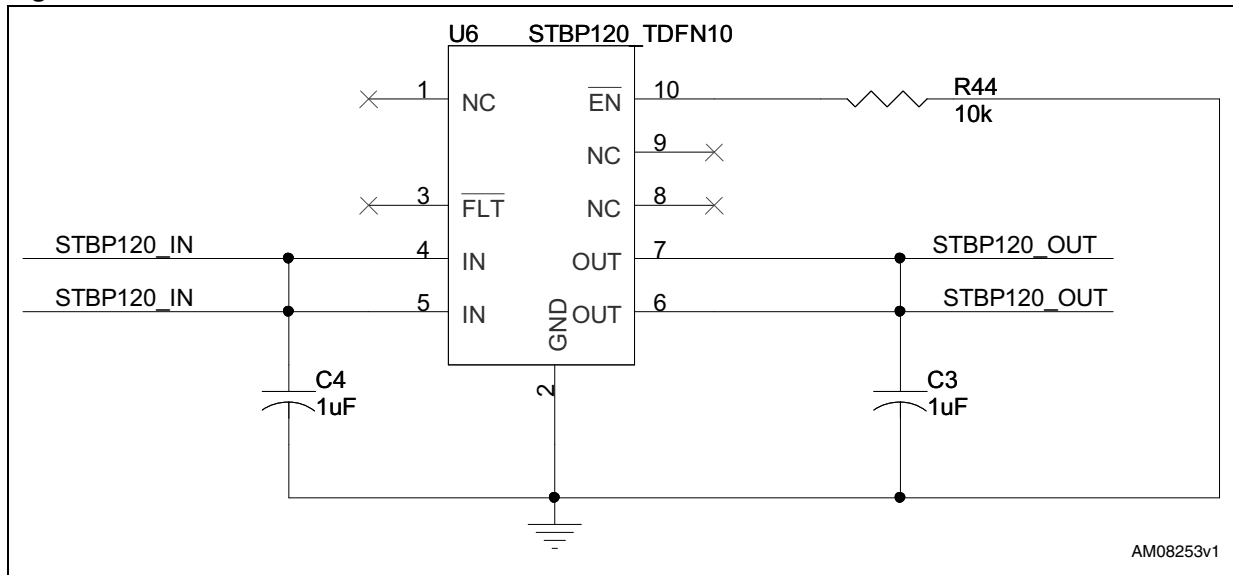


Figure 9. Jumpers

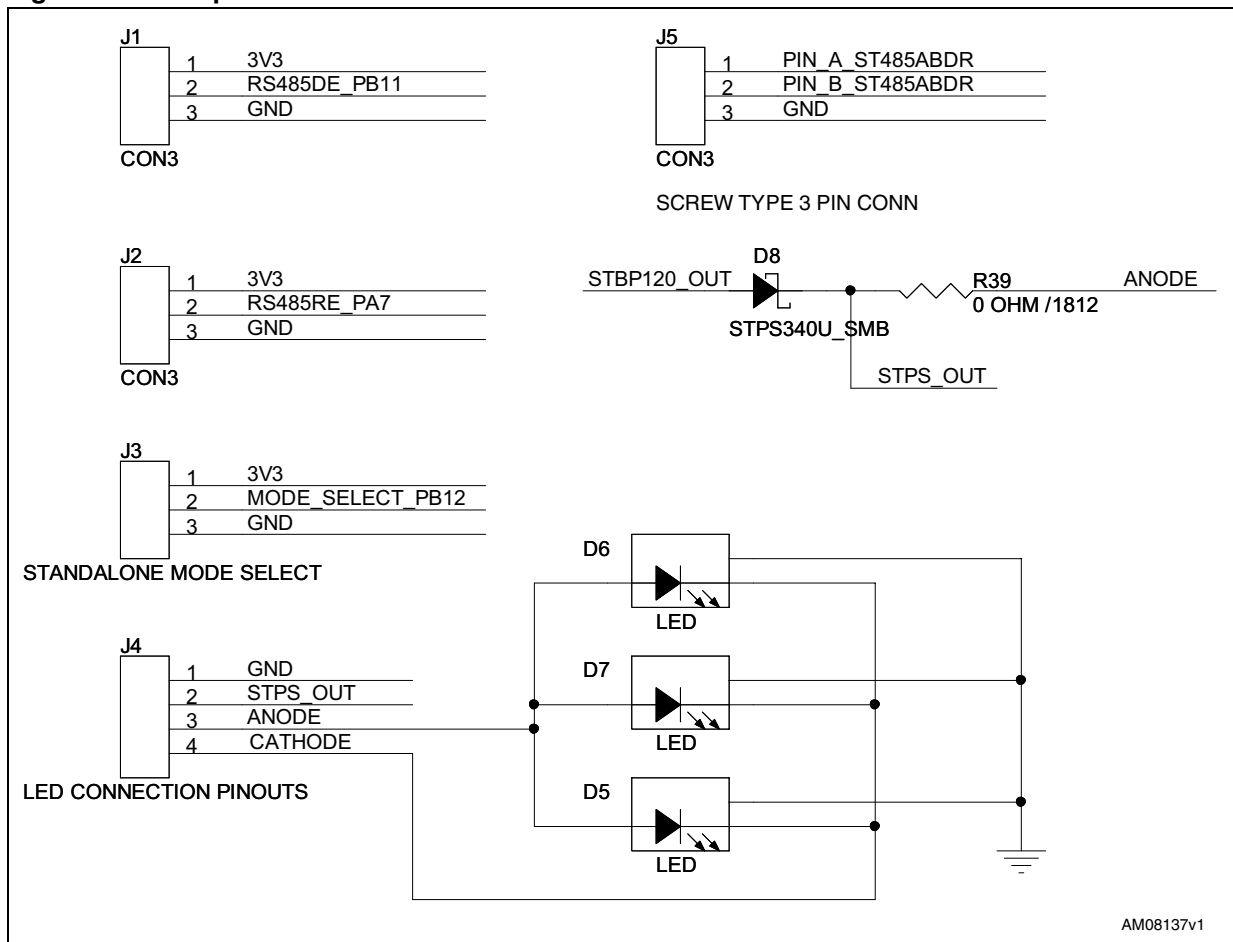
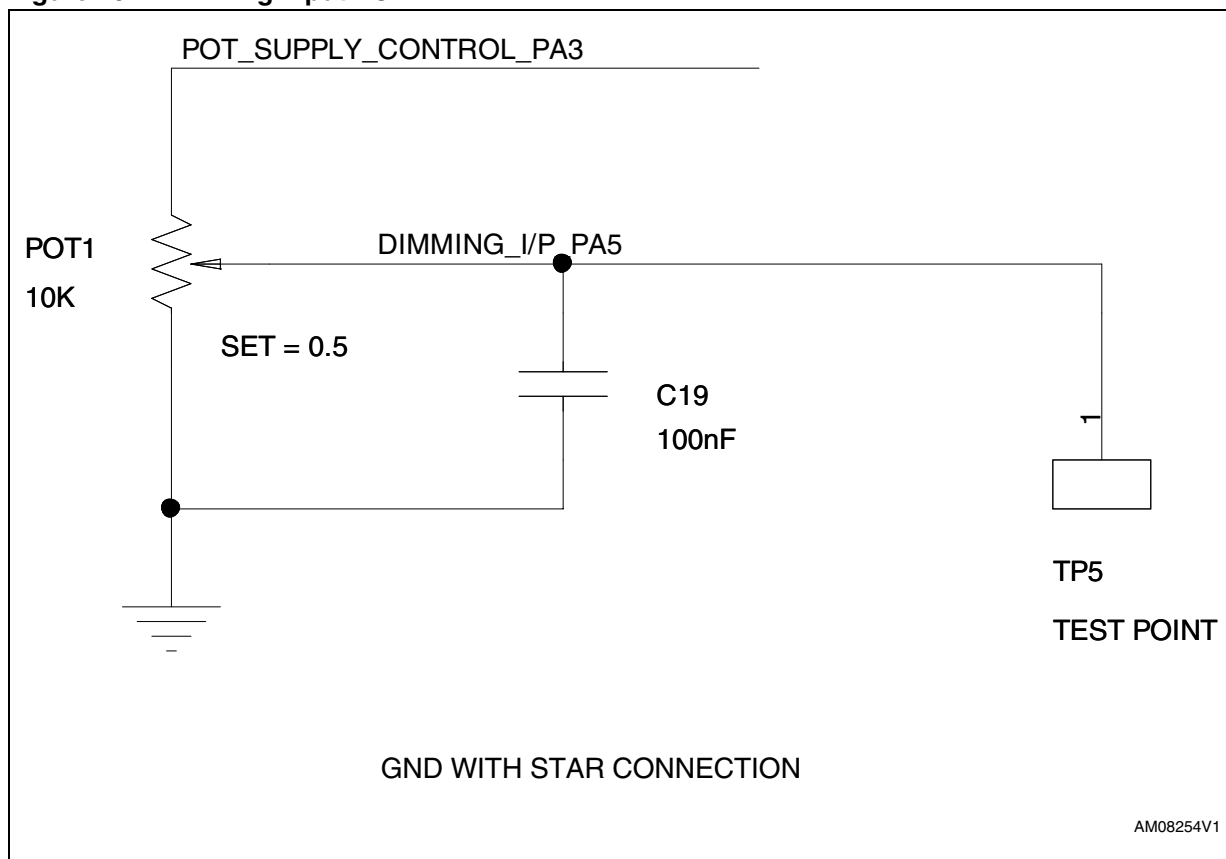


Figure 10. Dimming input POT



AM08254V1

2 Revision history

Table 1. Document revision history

Date	Revision	Changes
24-Nov-2010	1	Initial release.

Please Read Carefully:

Information in this document is provided solely in connection with ST products. STMicroelectronics NV and its subsidiaries ("ST") reserve the right to make changes, corrections, modifications or improvements, to this document, and the products and services described herein at any time, without notice.

All ST products are sold pursuant to ST's terms and conditions of sale.

Purchasers are solely responsible for the choice, selection and use of the ST products and services described herein, and ST assumes no liability whatsoever relating to the choice, selection or use of the ST products and services described herein.

No license, express or implied, by estoppel or otherwise, to any intellectual property rights is granted under this document. If any part of this document refers to any third party products or services it shall not be deemed a license grant by ST for the use of such third party products or services, or any intellectual property contained therein or considered as a warranty covering the use in any manner whatsoever of such third party products or services or any intellectual property contained therein.

UNLESS OTHERWISE SET FORTH IN ST'S TERMS AND CONDITIONS OF SALE ST DISCLAIMS ANY EXPRESS OR IMPLIED WARRANTY WITH RESPECT TO THE USE AND/OR SALE OF ST PRODUCTS INCLUDING WITHOUT LIMITATION IMPLIED WARRANTIES OF MERCHANTABILITY, FITNESS FOR A PARTICULAR PURPOSE (AND THEIR EQUIVALENTS UNDER THE LAWS OF ANY JURISDICTION), OR INFRINGEMENT OF ANY PATENT, COPYRIGHT OR OTHER INTELLECTUAL PROPERTY RIGHT.

UNLESS EXPRESSLY APPROVED IN WRITING BY AN AUTHORIZED ST REPRESENTATIVE, ST PRODUCTS ARE NOT RECOMMENDED, AUTHORIZED OR WARRANTED FOR USE IN MILITARY, AIR CRAFT, SPACE, LIFE SAVING, OR LIFE SUSTAINING APPLICATIONS, NOR IN PRODUCTS OR SYSTEMS WHERE FAILURE OR MALFUNCTION MAY RESULT IN PERSONAL INJURY, DEATH, OR SEVERE PROPERTY OR ENVIRONMENTAL DAMAGE. ST PRODUCTS WHICH ARE NOT SPECIFIED AS "AUTOMOTIVE GRADE" MAY ONLY BE USED IN AUTOMOTIVE APPLICATIONS AT USER'S OWN RISK.

Resale of ST products with provisions different from the statements and/or technical features set forth in this document shall immediately void any warranty granted by ST for the ST product or service described herein and shall not create or extend in any manner whatsoever, any liability of ST.

ST and the ST logo are trademarks or registered trademarks of ST in various countries.

Information in this document supersedes and replaces all information previously supplied.

The ST logo is a registered trademark of STMicroelectronics. All other names are the property of their respective owners.

© 2010 STMicroelectronics - All rights reserved



STMicroelectronics group of companies

Australia - Belgium - Brazil - Canada - China - Czech Republic - Finland - France - Germany - Hong Kong - India - Israel - Italy - Japan - Malaysia - Malta - Morocco - Philippines - Singapore - Spain - Sweden - Switzerland - United Kingdom - United States of America

www.st.com

Looking for pricing, stock, or lifecycle information?

Click below to explore more details on WIN SOURCE:

-  [View STEVAL-ILL030V1 on WIN SOURCE](#)
-  [STMicroelectronics Information](#)

Optimize Your Supply Chain with WIN SOURCE Solutions

-  Global Sourcing Solution
-  Obsolete Management
-  Cost Control Management
-  Shortage Management
-  Alternative Solution
-  Excess Inventory Management