

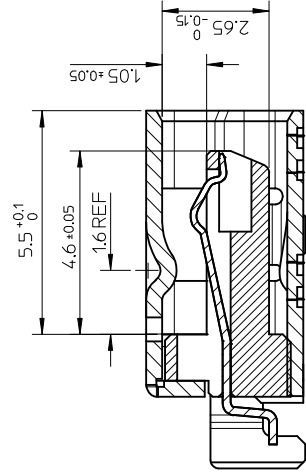
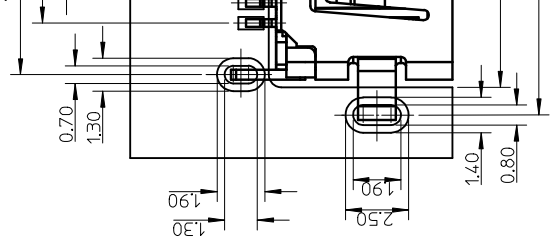
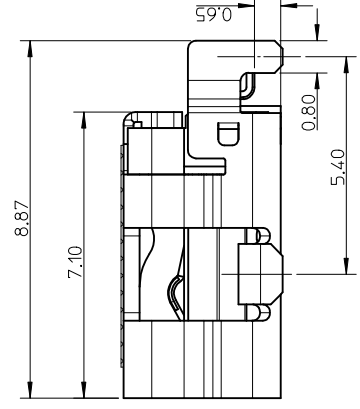
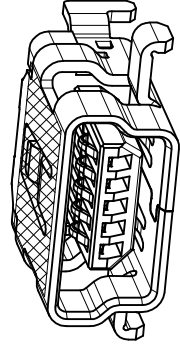
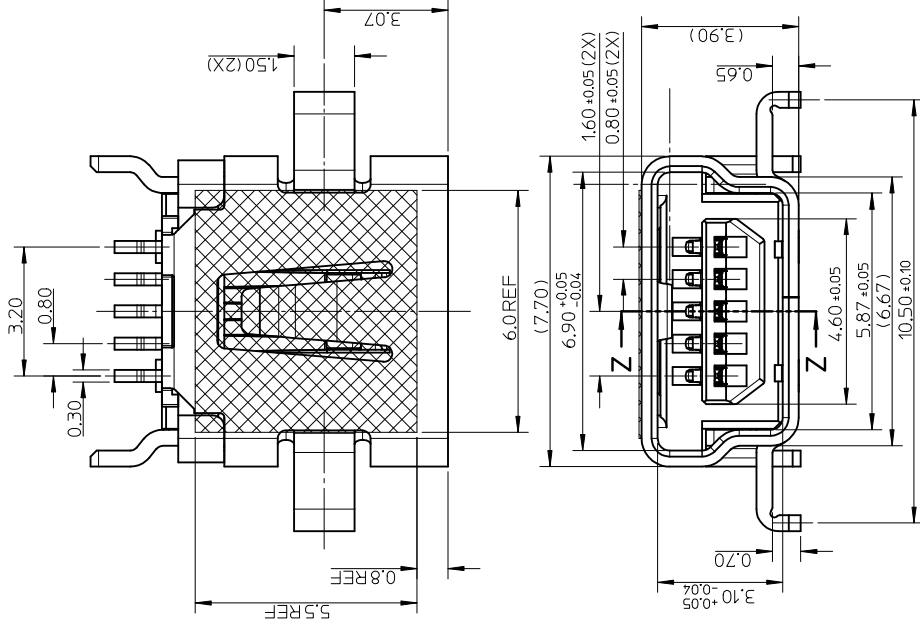


THE DATASHEET OF
1050350001



NOTE :

1. MATERIAL : HOUSING : LCP GLASS FILM TERMINAL : COPPER ALLCO SHIELD CASE : STAINLESS
2. PLATING : TERMINAL: CONTACT AREA : GOLD SOLDER TAIL AREA : MATTE TIN 2.0 MICRON UNDER PLATING : NICKEL
3. COP PLANARITY : 0.08 mm M
4. PRODUCT SPEC. : PS-678
5. COMPLIANT TO RoHS DIRECTIVE 2002 AND ELV DIRECTIVE 2002



SECTION Z-Z

REV	DESCRIPTION	DRW N: XJSONG 2009/09/18	EC NO: SH2010-0105	REVISE															
	APPR: RZHANG 2009/10/14	CHKD: 2009/09/22		B															
QUALITY SYMBOLS		$\blacktriangle = 0$ $\triangle = 0$																	
GENERAL TOLERANCES (UNLESS SPECIFIED)		<table border="1"> <thead> <tr> <th>PLACES</th> <th>mm</th> <th>INCH</th> </tr> </thead> <tbody> <tr> <td>4 PLACES</td> <td>± ---</td> <td>± ---</td> </tr> <tr> <td>3 PLACES</td> <td>± ---</td> <td>± ---</td> </tr> <tr> <td>2 PLACES</td> <td>± 0.25</td> <td>± ---</td> </tr> <tr> <td>1 PLACE</td> <td>± 0.25</td> <td>± ---</td> </tr> </tbody> </table> ANGULAR ± 3°			PLACES	mm	INCH	4 PLACES	± ---	± ---	3 PLACES	± ---	± ---	2 PLACES	± 0.25	± ---	1 PLACE	± 0.25	± ---
PLACES	mm	INCH																	
4 PLACES	± ---	± ---																	
3 PLACES	± ---	± ---																	
2 PLACES	± 0.25	± ---																	
1 PLACE	± 0.25	± ---																	
DRAFT WHERE APPLICABLE MUST REMAIN WITHIN DIMENSIONS		MATERIAL NO. 105035-0001																	
SIZE A3		THIS DRAWING CONTAINS INCORPORATED AND SHOULD																	

RECOMMEND GENERAL TOL

SCA	1:1
DIMENSION STYLE	MM ONLY
DRAWN BY	XJSONG
CHECKED BY	JTIAN
APPROVED BY	HWANG
DATE	2007/12/07
TITLE	male
DOCUMENT	

Looking for pricing, stock, or lifecycle information?

Click below to explore more details on WIN SOURCE:

 [View 1050350001 on WIN SOURCE](#)

 [Molex, LLC Information](#)

Optimize Your Supply Chain with WIN SOURCE Solutions

-  Global Sourcing Solution
-  Obsolete Management
-  Cost Control Management
-  Shortage Management
-  Alternative Solution
-  Excess Inventory Management