



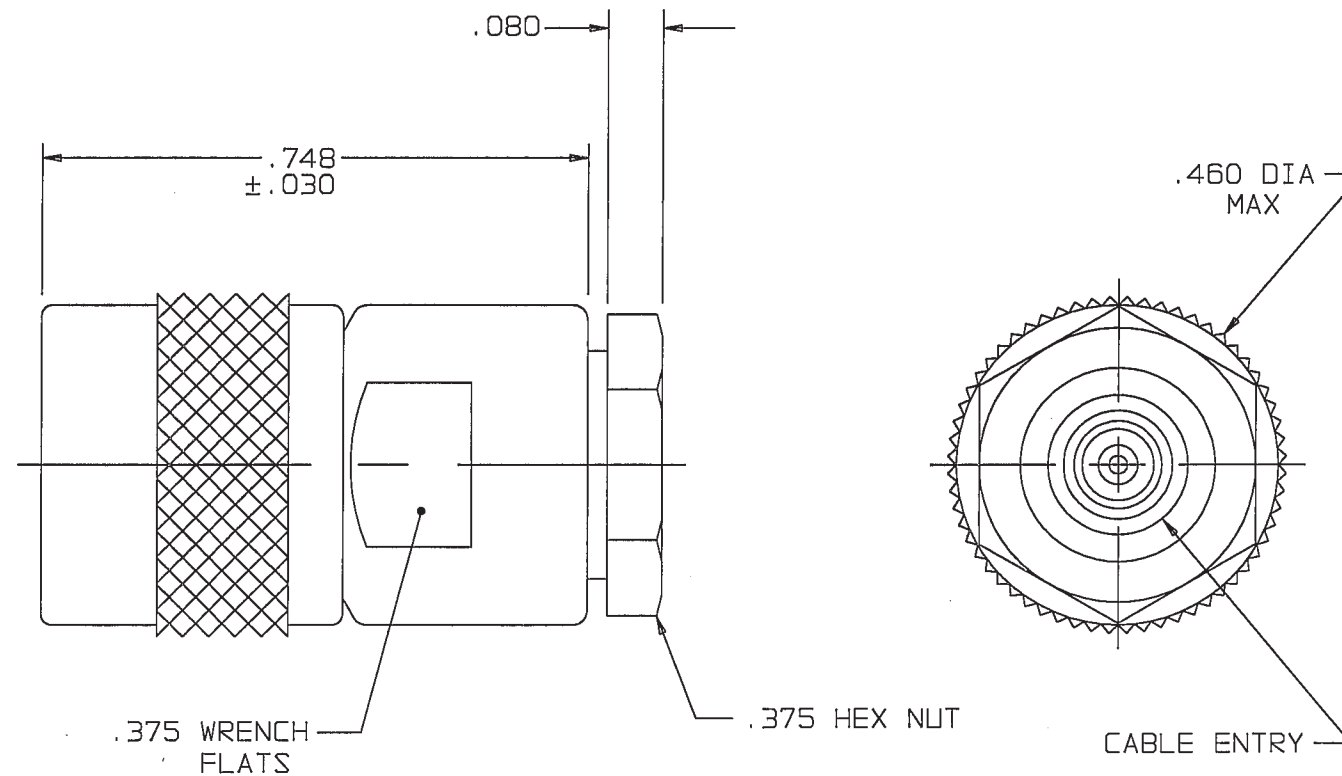
**THE DATASHEET OF
PL155-47**



| DASH NO | CABLES ACCOMMODATED | ASSEMBLE PER |
|---------|---|--------------|
| -23 | 275-3930, MICRODOT | TAI-127 |
| -24 | 202-3934, MICRODOT | TAI-125 |
| -24A | 9530A5117, RAYCHEM | TAI-127 |
| -27 | 202-3927, MICRODOT ⁵ 73-1317911-1, SYLVANIA | TAI-125 |
| -29 | TWC-124-1A TWC-78-1 | TAI-125 |
| -30 | 8441, BELDEN ⁴ 761A, W.E.CO. | TAI-125 |
| -32 | TRC-50-1 | TAI-127 |
| -33 | TRC-75-1 | TAI-127 |
| -43 | 250-4044/250-4045 293-3930 MICRODOT | TAI-174 |
| -45 | 10602, RAYCHEM | TAI-125 |
| -47 | M17/176-00002 ⁵ | TAI-125 |
| -49 | TWAC-78-1F2 ⁵ | TAI-125 |
| -56 | GC875GC1, GRUMMAN | TAI-174 |
| -57 | GC875GB1, GRUMMAN | TAI-174 |
| -58 | GC875TM24H, GRUMMAN | TAI-125 |
| -55 | TWCP-124-3 | TAI-125 |

DATA CONTAINED IN THIS DOCUMENT IS PROPRIETARY TO TROMPETER ELECTRONICS INC. AND SHALL NOT BE DISCLOSED, COPIED OR USED FOR PROCUREMENT OR MANUFACTURE WITHOUT EXPRESS WRITTEN PERMISSION OF TROMPETER ELECTRONICS INC.

| REVISIONS | | 310-0036 | SH 1 |
|-----------|-----------------------|----------|----------|
| REV | DESCRIPTION | DATE | APPROVED |
| V | REVISED PER ECO 15485 | 2/14/04 | WJ |



-29 SHOWN

RED INDICATES ORIGINAL

⁵ .187 LG JACKET SLITS MAY BE REQUIRED FOR EASE OF ASSY

⁴ NOT WRENCH CRIMP

3. CONCENTRIC TWINAX/TRIAX SUBMINIATURE 3-LUG TRS PLUG



2. FINISH: TFS-1A (NICKEL)

1. ALL DIM ARE IN INCHES

| INTERPRET DRAWING PER MIL-STD-100 DIMENSIONS ARE IN INCHES AND INCLUDE FINISH THICKNESS UNLESS OTHERWISE SPECIFIED | | TOL: UNLESS SPECIFIED .XX ±.01 .XXX ±.005 .XXXX ±.0010 ANGLES ± 0° 30' | | TROMPETER RF connectivity a cinch connectivity solutions brand | |
|--|--------------|--|------------------|--|------------|
| 310-0026 | AAH | DATE | 6-10-04 | TITLE: PL155 | |
| 305-0374 | CHECKED | DATE | 6-10-04 | SIZE CAGE CODE DRAWING NO. REV. | |
| 3-0040 | QUALITY | DATE | 6/14/04 | B 14949 | 310-0036 V |
| 3-0029 | MANUF | DATE | 6/14/04 | SCALE | 4/1 |
| 205-0029 | APPROVED | DATE | 6/14/04 | DATE: | 6/20/75 |
| 1-0451 | CAD FILE NO. | 310-0036V | DO NOT SCALE DWG | SHEET | 1C |

Looking for pricing, stock, or lifecycle information?

Click below to explore more details on WIN SOURCE:

-  [View PL155-47 on WIN SOURCE](#)
-  [Cinch Connectivity Solutions](#) Information

Optimize Your Supply Chain with WIN SOURCE Solutions

-  Global Sourcing Solution
-  Obsolete Management
-  Cost Control Management
-  Shortage Management
-  Alternative Solution
-  Excess Inventory Management