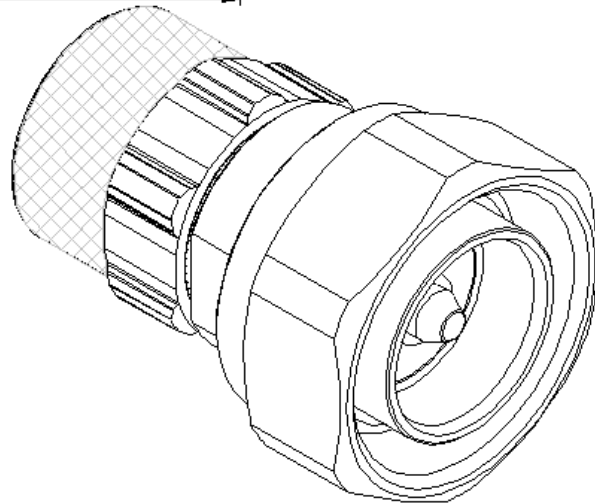
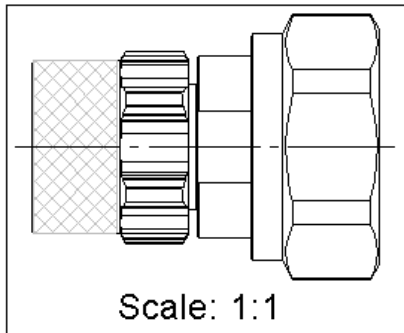
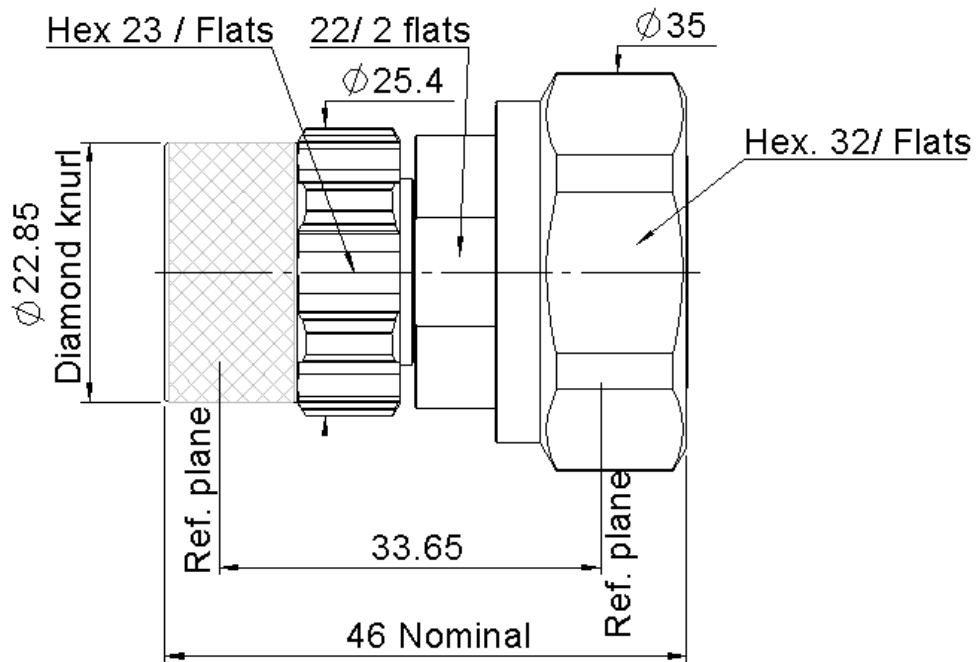




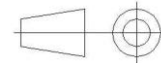
**THE DATASHEET OF
R191663000**



PAGE 1/2	ISSUE 1416C	SERIES ADAPTER	PART NUMBER R191663000
----------	-------------	-------------------	-------------------------------



All dimensions are in mm.



COMPONENTS	MATERIALS	PLATING (μm)
Body	BRASS	BBR
Center contact	BRONZE	SILVER
Outer contact	BRASS	BBR
Insulator	PTFE	
Gasket	SILICONE RUBBER	
Others parts	BRASS	BBR
-	-	-
-	-	-

PAGE 2/2	ISSUE 1416C	SERIES ADAPTER	PART NUMBER R191663000
-----------------	--------------------	--------------------------	-------------------------------

PACKAGING

Standard	Unit	Other
1		Contact us

ELECTRICAL CHARACTERISTICS

Impedance		50	Ω
Frequency		0-6	GHz
VSWR	1.04	+	0.0200 x F(GHz) Maxi
Insertion loss		0.05	\sqrt{F} (GHz) dB Maxi
RF leakage		- (NA	- F(GHz)) dB Maxi
Voltage rating		1400	Veff Maxi
Dielectric withstanding voltage		2500	Veff mini
Insulation resistance		5000	M Ω mini

ENVIRONMENTAL

Operating	-55~+120	$^{\circ}\text{C}$
Hermetic seal	NA	Atm.cm3/s
Panel leakage	NA	

MECHANICAL CHARACTERISTICS

Center contact retention			
Axial force – Mating End		50	N mini
Axial force – Opposite end		200	N mini
Torque		NA	N.cm mini

SPECIFICATION



OTHER CHARACTERISTICS

**IMP3<-120dBm under 2 carriers of +43dBm
IP67 mated condition**

Recommended torque			
Mating	QLI	0	N.cm
	7/16	3000	N.cm
		0	N.cm
Panel nut		NA	N.cm
Mating life		100	Cycles mini
Weight		128.4870	g

Looking for pricing, stock, or lifecycle information?

Click below to explore more details on WIN SOURCE:

-  [View R191663000 on WIN SOURCE](#)
-  [Radiall USA, Inc. Information](#)

Optimize Your Supply Chain with WIN SOURCE Solutions

-  Global Sourcing Solution
-  Obsolete Management
-  Cost Control Management
-  Shortage Management
-  Alternative Solution
-  Excess Inventory Management