



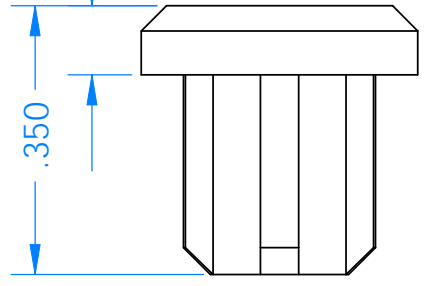
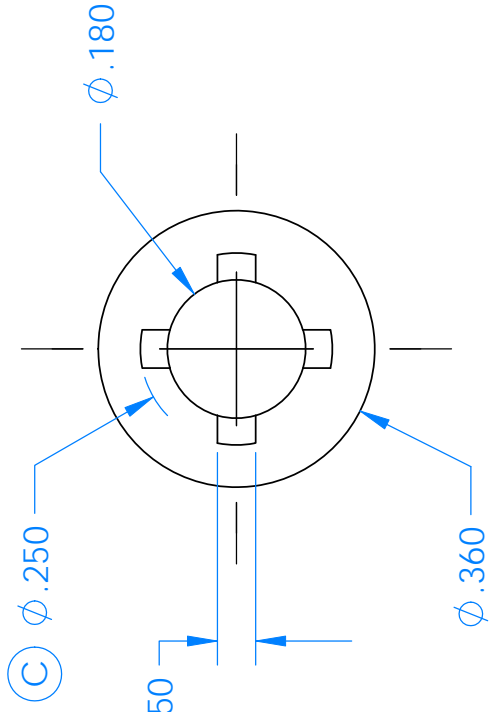
THE DATASHEET OF
50



8 7 6 5 4 3 2

THE INFORMATION CONTAINED IN THIS DRAWING IS THE SOLE PROPERTY OF SERPAC. ANY REPRODUCTION IN PART OR WHOLE WITHOUT THE WRITTEN PERMISSION OF SERPAC IS PROHIBITED.

No.	REVISION



UNLESS OTHERWISE SPECIFIED DIMENSIONS ARE IN INCHES. TOLERANCES ARE:

FRACTIONS: DECIMALS: ANGLES:
 $\pm 1/8"$.XX .XXX $\pm 1/2^\circ$
 $\pm .01 \pm .005$

MATERIAL
Kraton G7720 Black

DO NOT SCALE DRAWING

CAD GENERATED DRAWING. DO NOT MANUALLY UPDATE

APPROVALS
 DRAWN **FV**
 CHECKED **FV**

DATE
02/04
02/04

DESCRIPTION
 SIZE **A**
 SCALE **8:1**

PART NU
 2

DWG No. 3

SCALE 8:1

2

Looking for pricing, stock, or lifecycle information?

Click below to explore more details on WIN SOURCE:

 [View 50](#) on WIN SOURCE

 [Serpac](#) Information

Optimize Your Supply Chain with WIN SOURCE Solutions

-  Global Sourcing Solution
-  Obsolete Management
-  Cost Control Management
-  Shortage Management
-  Alternative Solution
-  Excess Inventory Management