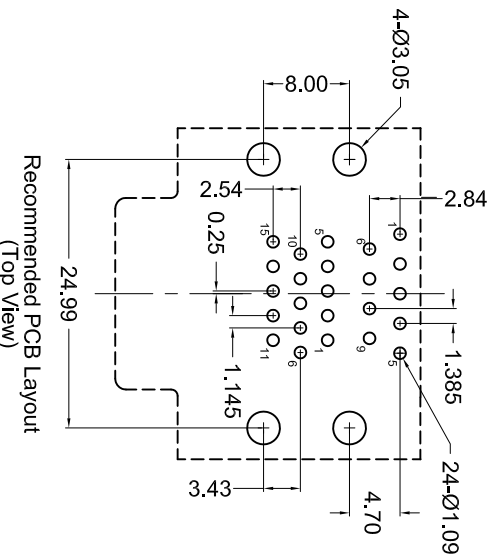
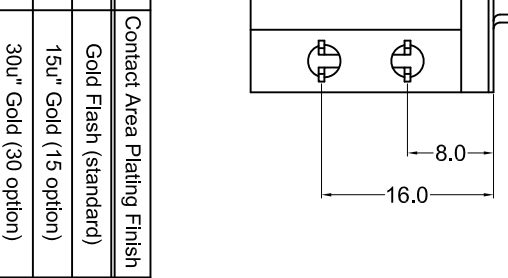
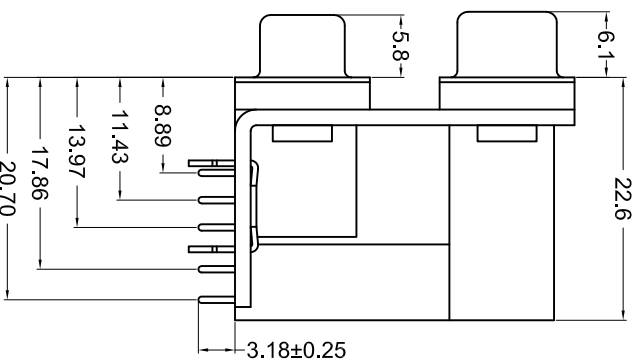
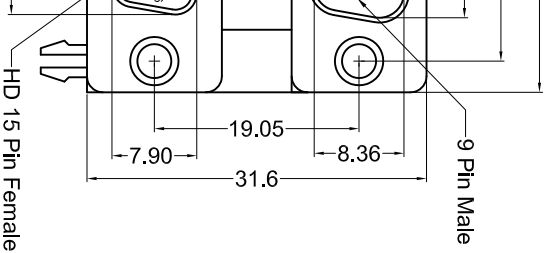




**THE DATASHEET OF
K42X-E9P/E15S-A4N**





Material and Finish

Shell: Steel, nickel plated

Insulator:

PBT Thermoplastic
UL 94V-0 rated
color: black

Contact Material-

Plug- Brass
Socket- Phosphor Bronze

Contact Plating Options:

- Standard: gold flash on contact area, tin on soldertails with entire contact nickel underplated
- 15 Option: 15u" gold on contact area, tin on soldertails with entire contact nickel underplated
- 30 Option: 30u" gold on contact area, tin on soldertails with entire contact nickel underplated

Electrical Specifications

- Rated Current: 1.2A
- Rated Voltage: 30V RMS
- Dielectric Withstanding Voltage: 1000V AC (rms) min.
- Insulation Resistance: more than 1000 Megohm at 500V DC
- Contact Resistance: 13 milliohm max.
- Operating Temperature: -55°C to +105°C

V. BY	CHK. BY	DRAWN BY	DATE
I. MA F. rederick V. ien E. lshanna M. A	C. Furumatsu H. MA H. MA C. Furumatsu D. Shehan	H. MA	12/22/05
			UNITS mm

K42X-E9P/E15S-A4N

9 Male / 15HD Female D-Sub, 0.750" Spacing
w/ 4 Gnd. Brackets, RoHS Compliant

RoHS COMPLIANT

SY
LFR2160
US

KYCON

Tolerances
X.X ± 0.25
X.XX ± 0.15
Unless Stated
Otherwise

Looking for pricing, stock, or lifecycle information?

Click below to explore more details on WIN SOURCE:

 [View K42X-E9P/E15S-A4N on WIN SOURCE](#)

 [Kycon, Inc. Information](#)

Optimize Your Supply Chain with WIN SOURCE Solutions

-  Global Sourcing Solution
-  Obsolete Management
-  Cost Control Management
-  Shortage Management
-  Alternative Solution
-  Excess Inventory Management