

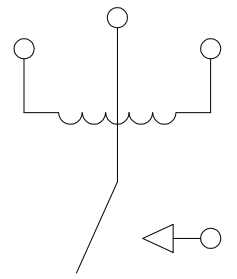


**THE DATASHEET OF
ORWH-SH-112DM1F,000**

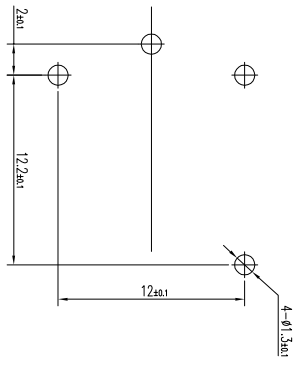


REVISED	3	1	2	1
LOC HB DIST - P LTR D 0		REVISIONS DESCRIPTION EOO-12-004810 DATE 24-APR-12 DWG BLL APP'D BHY		DATE 24-APR-12 DWG BLL APP'D BHY

CIRCUIT DIAGRAM (BOTTOM VIEW)



DRILLING DIAGRAM (BOTTOM VIEW)



①

STATUS	TE	PART NO	DESCRIPTION	PART B	PART A	ITEM
OBSOLETE	1721153-1	ORWH-SS-103DM1F.000	3V	ORWH-SS-103DM1F	A	
OBSOLETE	1721153-2	ORWH-SS-105DM1F.000	5V	ORWH-SS-105DM1F	B	
ACTIVE	1721153-3	ORWH-SS-106DM1F.000	6V	ORWH-SS-106DM1F	C	
OBSOLETE	1721153-4	ORWH-SS-109DM1F.000	9V	ORWH-SS-109DM1F	D	
ACTIVE	1721153-5	ORWH-SS-112DM1F.000	1.2V	ORWH-SS-112DM1F	E	
OBSOLETE	1721153-6	ORWH-SS-118DM1F.000	1.8V	ORWH-SS-118DM1F	F	
ACTIVE	1721153-7	ORWH-SS-124DM1F.000	2.4V	ORWH-SS-124DM1F	G	
OBSOLETE	1721153-8	ORWH-SH-148DM1F.000	4.8V	ORWH-SH-148DM1F	H	
OBSOLETE	1721153-9	ORWH-SH-103DM1F.000	3V	ORWH-SH-103DM1F	I	
OBSOLETE	1-1721153-0	ORWH-SH-105DM1F.000	5V	ORWH-SH-105DM1F	J	
OBSOLETE	1-1721153-1	ORWH-SH-106DM1F.000	6V	ORWH-SH-106DM1F	K	
ACTIVE	1-1721153-2	ORWH-SH-109DM1F.000	9V	ORWH-SH-109DM1F	L	
ACTIVE	1-1721153-3	ORWH-SH-112DM1F.000	1.2V	ORWH-SH-112DM1F	M	
OBSOLETE	1-1721153-4	ORWH-SH-118DM1F.000	1.8V	ORWH-SH-118DM1F	N	
ACTIVE	1-1721153-5	ORWH-SH-124DM1F.000	2.4V	ORWH-SH-124DM1F	O	
ACTIVE	1-1721153-6	ORWH-SH-148DM1F.000	4.8V	ORWH-SH-148DM1F	P	

NOTE
 ① LOT NO. SYSTEM AS FOLLOWING:

 WEEK
 YEAR

GENERAL TOLERANCE

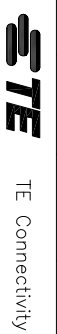
Diagram dimension	Tolerance
0.99mm max.	±0.1mm
1 - 2.99mm	±0.2mm
3mm min.	±0.3mm

THIS DRAWING IS A CONTROLLED DOCUMENT.

DIMENSIONS: mm	TOLERANCES UNLESS OTHERWISE SPECIFIED: 0 P/C ± 2 P/C ± 3 P/C ± 4 P/C ± ANGLES ±
MATERIAL	FINISH
CHK XN.ZHANG	APVD M.L.HO
NAME WAYNE PENG	PRODUCT SPEC
APPLICATION SPEC	WEIGHT
CUSTOMER DRAWING	

NAME	ORWH-1M CD FREE CUSTOMER DRAWING
SIZE	A3
CAGE CODE	00779
DRAWING NO	1721153
SCALE	3:1
SHEET	1 OF 1
REV	D

ITEM	DESCRIPTION	ITEM
1	UV RESIN	UV SEAL(FOR SH)
12	EPOXY RESIN SEAL	
11	MW79	MAGNETIC WIRE
10	HCP	COIL TERMINAL
9	PBT	BOBBIN
8	PBT	CASE
7	Ag ALLOY	STATIONARY CONTACT
6	Ag ALLOY	MOVABLE CONTACT
5	Cu ALLOY	MOVABLE SPRING
4	Cu ALLOY	NO TERMINAL
3	Cu PLATED STEEL	CORE
2	Cu PLATED STEEL	ARMATURE FORM A
1	NI PLATED STEEL	YOKE



TE Connectivity

A



B

C

D

Looking for pricing, stock, or lifecycle information?

Click below to explore more details on WIN SOURCE:

-  [View ORWH-SH-112DM1F,000 on WIN SOURCE](#)
-  [TE Connectivity Information](#)

Optimize Your Supply Chain with WIN SOURCE Solutions

-  Global Sourcing Solution
-  Obsolete Management
-  Cost Control Management
-  Shortage Management
-  Alternative Solution
-  Excess Inventory Management