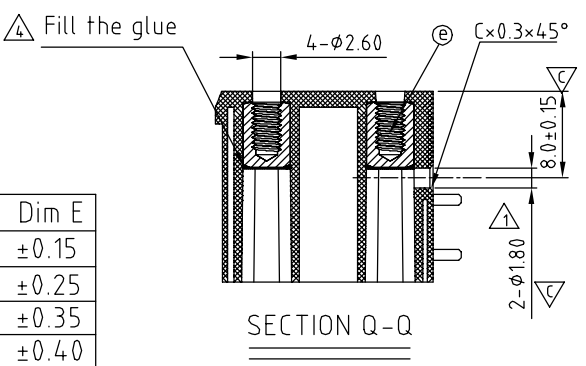
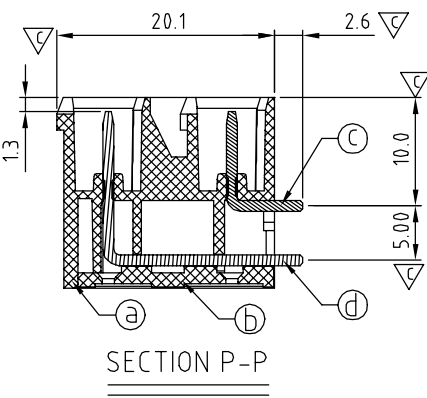
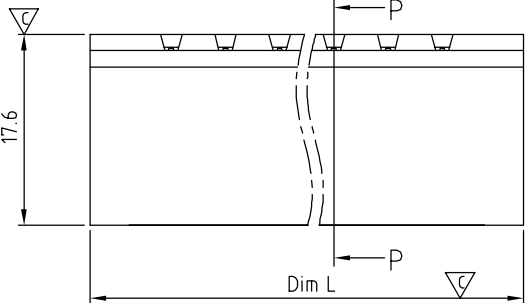
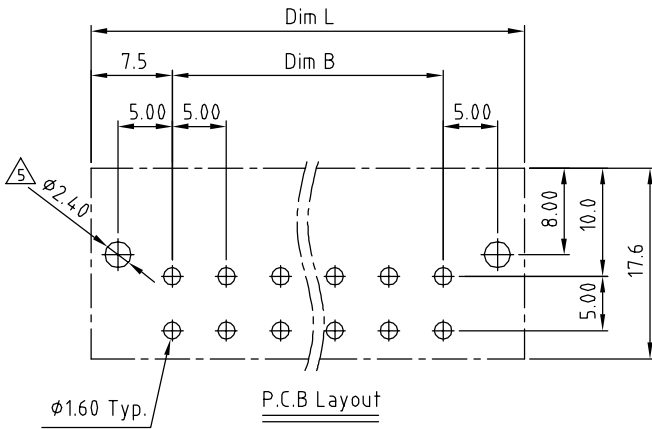
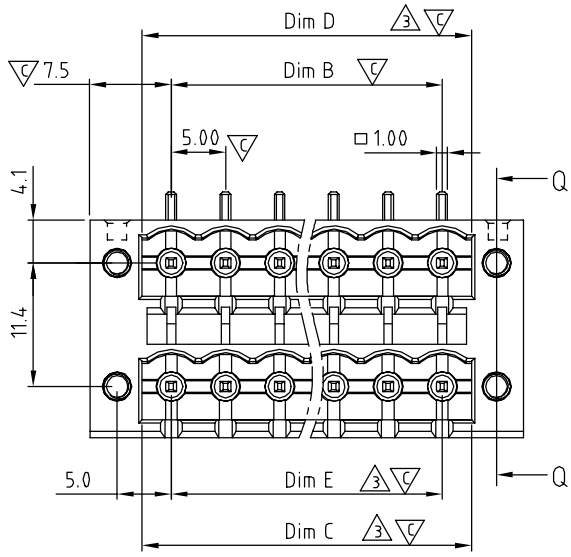




**THE DATASHEET OF
KE4472530000G**





N = Number of poles
 Dim L=(N+2)×5.0
 Dim B=(N-1)×5.0
 Dim C=(N-1)×5.0+5.4
 Dim D=(N-1)×5.0+5.4
 Dim E=(N-1)×5.0

Poles	Dim L	Dim B	Dim C	Dim D	Dim E
2×2-2×6p	±0.15	±0.15	+0.05 -0.05	+0.05 -0.05	±0.15
2×7-2×12p	±0.25	±0.25	+0.10 -0.05	+0.10 -0.05	±0.25
2×13-2×18p	±0.35	±0.35	+0.20 -0.05	+0.20 -0.05	±0.35
2×19-2×24p	±0.40	±0.40	+0.25 -0.10	+0.25 -0.10	±0.40

SIGN	DATE	DESCRIPTION	APPROVER
△	210.05.29	The design is changed	Chen Bo
△	03/29 '12	Add is cULus	Chen Bo
△	03/29 '12	The dimension C & D & E are added	Chen Bo
△	03/29 '12	Flange nut is changed	Chen Bo
△	03/29 '12	The dimension is changed from φ2.0 to φ2.40	Chen Bo

THIS IS CAD DRAWING, DO NOT REVISE MANUALLY!!!

- Material:
- Item a Terminal(housing): Thermoplastic (UL94V-0)
 - Item b Terminal(cover): Thermoplastic (UL94V-0)
 - Item c Male contact pin of short: Copper Tin plated
 - Item d Male contact pin of long: Copper Tin plated
 - Item e With flange nut: Brass M2.5

- Electrical: cULus
- Voltage rating: 300V
 - Current rating: 12A
 - Withstanding Voltage: 1.6KV
 - Operating temperature: -40°C to +115°C
 - Soldering temperature: 250°C±10°C/5 Sec
 - Safety Approval: cULus
 - Critical dimension: ∇

KE xx 7 2 x 3 xxxx G

- No. OF POLES
 04: 2×2 POLES
 06: 2×3 POLES
 :
 48: 2×24 POLES
- RoHS compliant (lead<4%) In copper Alloy
- 0000: "@" Logo (Standard)
 000A: "ANYTEK" Mark
- Any special item by customer request. please contact sales department.
- COLOR
- 0 Black (RAL9005)
 - 2 Red (RAL3001/D)
 - 3 Orange(RAL2011/P)
 - 4 Yellow(RAL1018/A)
 - 5 Green(RAL6018/T)
 - 6 Blue (RAL5015/A)
 - 8 Grey(RAL7035/D)
 - 9 White(RAL1102)
 - C Green(RAL6018/U)

ANYTEK				CUSTOMER COPY			
ALL RIGHTS RESERVED. REPRODUCTION OR ISSUE TO THIRD PARTIES IN ANY FORM WHATSOEVER IS NOT PERMITTED WITHOUT WRITTEN AUTHORITY FROM THE PROPRIETOR. PROPERTY OF ANYTEK TECHNOLOGY CO., LTD							
TITLE		KE 5.0mm With Flange Series 2×2P-2×24P (90°-Rihgt angle) Dip type					
PART NO.		KExx72x3xxxxG			DWG NO.		8KE0103
APPROVED		DESIGNED	DRAWN	CUST NO.		Tolerance	
		Chen Bo 04/14 '12	Chen Bo 04/14 '12			X. ±0.50 X.X ±0.30 X.XX ±0.10 X° ±1°	
				SHEET: 01/01		UNIT: mm SCALE: NONE REV.: D	

Looking for pricing, stock, or lifecycle information?

Click below to explore more details on WIN SOURCE:

 [View KE4472530000G on WIN SOURCE](#)

 [Amphenol Anytek Information](#)

Optimize Your Supply Chain with WIN SOURCE Solutions

-  Global Sourcing Solution
-  Obsolete Management
-  Cost Control Management
-  Shortage Management
-  Alternative Solution
-  Excess Inventory Management