

100LVEL16 3.3V ECL Differential Receiver

General Description

The 100LVEL16 is a low voltage differential receiver that contains an internally supplied voltage source, V_{BB} . When used in a single ended input condition the unused input must be tied to V_{BB} . When operating in this mode use a 0.01 μ F capacitor to decouple V_{BB} and V_{CC} and also limit the current sinking or sourcing capability to 0.5mA. When V_{BB} is not used it should be left open.

With inputs open the differential Q outputs default LOW and \bar{Q} outputs default HIGH.

The 100 series is temperature compensated.

Features

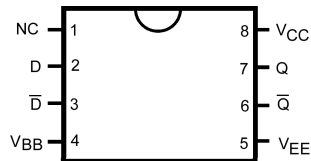
- Typical propagation delay of 300 ps
- Typical I_{EE} of 17 mA
- Internal pull-down resistors on D
- Fairchild MSOP-8 package is a drop-in replacement to ON TSSOP-8
- Meets or exceeds JEDEC specification EIA/JESD78 IC latch-up test
- Moisture Sensitivity Level 1
- ESD Performance:
 - Human Body Model > 2000V
 - Machine Model > 150V

Ordering Code:

| Order Number | Package Number | Product Code Top Mark | Package Description |
|------------------------------|----------------|--------------------------|---|
| 100LVEL16M | M08A | KVL16 | 8-Lead Small Outline Integrated Circuit (SOIC), JEDEC MS-012, 0.150" Narrow |
| 100LVEL16M8 (Preliminary) | MA08D | KV16 | 8-Lead Molded Small Outline Package (MSOP), JEDEC MO-187, 3.0mm Wide |

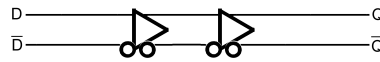
Devices also available in Tape and Reel. Specify by appending suffix letter "X" to the ordering code.

Connection Diagram



Top View

Logic Diagram



Pin Descriptions

| Pin Name | Description |
|--------------|-------------------|
| Q, \bar{Q} | ECL Data Outputs |
| D, \bar{D} | ECL Data Inputs |
| V_{BB} | Reference Voltage |
| V_{CC} | Positive Supply |
| V_{EE} | Negative Supply |
| NC | No Connect |

Absolute Maximum Ratings (Note 1)

| | |
|--|-----------------|
| PECL Supply Voltage (V_{CC}) $V_{EE} = 0V$ | 0.0V to +8.0V |
| NECL Supply Voltage (V_{EE}) $V_{CC} = 0V$ | 0.0V to -8.0V |
| PECL DC Input Voltage (V_i) $V_{EE} = 0V$ | 0.0V to +6.0V |
| NECL DC Input Voltage (V_i) $V_{CC} = 0V$ | 0.0V to -6.0V |
| DC Output Current (I_{OUT}) | |
| Continuous | 50 mA |
| Surge | 100 mA |
| V_{BB} Sink/Source Current (I_{BB}) | ± 0.5 mA |
| Storage Temperature (T_{STG}) | -65°C to +150°C |

Recommended Operating Conditions

| | |
|--|-----------------------------|
| PECL Power Supply | $V_{CC} = 3.0V$ to $3.8V$ |
| ($V_{EE} = 0V$) | |
| NECL Power Supply | $V_{EE} = -3.8V$ to $-3.0V$ |
| ($V_{CC} = 0V$) | |
| Free Air Operating Temperature (T_A) | -40°C to +85°C |

Note 1: The "Absolute Maximum Ratings" are those values beyond which the safety of the device cannot be guaranteed. The device should not be operated at these limits. The parametric values defined in the Electrical Characteristics tables are not guaranteed at the absolute maximum rating. The "Recommended Operating Conditions" table will define the conditions for actual device operation.

LVPECL DC Electrical Characteristics $V_{CC} = 3.3V$; $V_{EE} = 0.0V$ (Note 2)

| Symbol | Parameter | -40°C | | | 25°C | | | 85°C | | | Units |
|-------------|--|-------|-----------|------|------|-------------|------|------|-------------|------|---------|
| | | Min | Typ | Max | Min | Typ | Max | Min | Typ | Max | |
| I_{EE} | Power Supply Current | | 17 | 23 | | 17 | 23 | | 18 | 24 | mA |
| V_{OH} | Output HIGH Voltage (Note 3) | 2215 | 2295 | 2420 | 2275 | 2345 | 2420 | 2275 | 2345 | 2420 | mV |
| V_{OL} | Output LOW Voltage (Note 3) | 1470 | 1605 | 1745 | 1490 | 1595 | 1680 | 1490 | 1595 | 1680 | mV |
| V_{IH} | Input HIGH Voltage (Single Ended) | 2135 | | 2420 | 2135 | | 2420 | 2135 | | 2420 | mV |
| V_{iL} | Input LOW Voltage (Single Ended) | 1490 | | 1825 | 1490 | | 1825 | 1490 | | 1825 | mV |
| V_{BB} | Output Voltage Reference | 1.92 | | 2.04 | 1.92 | | 2.04 | 1.92 | | 2.04 | V |
| V_{IHCMR} | Input HIGH Voltage Common Mode Range (Differential) (Note 4) | | | | | | | | | | |
| | $V_{PP} < 500mV$ | 1.2 | | 2.9 | 1.1 | | 2.9 | 1.1 | | 2.9 | V |
| | $V_{PP} \geq 500mV$ | 1.5 | | 2.9 | 1.4 | | 2.9 | 1.4 | | 2.9 | V |
| I_{IH} | Input HIGH Current (Note 5) | | | 150 | | | 150 | | | 150 | μA |
| I_{iL} | Input LOW Current (Note 5) | | D -600 | | | 0.5 -600 | | | 0.5 -600 | | μA |

Note 2: Input and output parameters vary 1 to 1 with V_{CC} . V_{EE} can vary $\pm 0.3V$.

Note 3: Outputs are terminated through a 50 Ω Resistor to $V_{CC} - 2.0V$.

Note 4: V_{IHCMR} minimum varies 1 to 1 with V_{EE} . V_{IHCMR} maximum varies 1 to 1 with V_{CC} . The V_{IHCMR} range is referenced to the most positive side of the differential input signal. Normal operation is obtained if the HIGH level falls within the specified range and the peak-to-peak voltage lies between V_{PPMIN} and 1V.

Note 5: Absolute value of the input HIGH and LOW current should not exceed the absolute value of the stated Min or Max specification.

Note: Devices are designed to meet the DC specifications after thermal equilibrium has been established. Circuit is tested with air flow greater than 500LFPM maintained.

LVNECL DC Electrical Characteristics $V_{CC} = 0.0V$; $V_{EE} = -3.3V$ (Note 6)

| Symbol | Parameter | -40°C | | | 25°C | | | 85°C | | | Units |
|-------------|--|-------|-------|-------|-------|-------|-------|-------|-------|-------|---------|
| | | Min | Typ | Max | Min | Typ | Max | Min | Typ | Max | |
| I_{EE} | Power Supply Current | | 17 | 23 | | 17 | 23 | | 18 | 24 | mA |
| V_{OH} | Output HIGH Voltage (Note 7) | -1085 | -1005 | -880 | -1025 | -955 | -880 | -1025 | -955 | -880 | mV |
| V_{OL} | Output LOW Voltage (Note 7) | -1830 | -1695 | -1555 | -1810 | -1705 | -1620 | -1810 | -1705 | -1620 | mV |
| V_{IH} | Input HIGH Voltage (Single Ended) | -1165 | | -880 | -1165 | | -880 | -1165 | | -880 | mV |
| V_{IL} | Input LOW Voltage (Single Ended) | -1810 | | -1475 | -1810 | | -1475 | -1810 | | -1475 | mV |
| V_{BB} | Output Voltage Reference | -1.38 | | -1.26 | -1.38 | | -1.26 | -1.38 | | -1.26 | V |
| V_{IHCMR} | Input HIGH Voltage Common Mode Range (Differential) (Note 8) | | | | | | | | | | V |
| | $V_{PP} < 500mV$ | -2.5 | | -0.4 | -2.5 | | -0.4 | -2.5 | | -0.4 | |
| | $V_{PP} \geq 500mV$ | -1.8 | | -0.4 | -1.9 | | -0.4 | -1.9 | | -0.4 | |
| I_{IH} | Input HIGH Current | | | 150 | | | 150 | | | 150 | μA |
| I_{IL} | Input LOW Current | D | 0.5 | | 0.5 | | | 0.5 | | | μA |
| | \bar{D} | | -600 | | -600 | | | -600 | | | μA |

Note 6: Input and output parameters vary 1 to 1 with V_{CC} . V_{EE} can vary $\pm 0.3V$.

Note 7: Outputs are terminated through a 50 Ω Resistor to $V_{CC} - 2.0V$.

Note 8: V_{IHCMR} minimum varies 1 to 1 with V_{EE} . V_{IHCMR} maximum varies 1-to-1 with V_{CC} . The V_{IHCMR} range is referenced to the most positive side of the differential input signal. Normal operation is obtained if the HIGH level falls within the specified range and the peak-to-peak voltage lies between V_{PPMIN} and 1V.

Note 9: Absolute value of the input HIGH and LOW current should not exceed the absolute value of the stated Min or Max specification.

Note: Devices are designed to meet the DC specifications after thermal equilibrium has been established. Circuit is tested with air flow greater than 500LFPM maintained.

100LVEL16 AC Electrical Characteristics $V_{CC} = 3.3V$; $V_{EE} = 0.0V$ or $V_{CC} = 0.0V$; $V_{EE} = -3.3V$ (Note 10) (Note 11)

| Symbol | Parameter | -40°C | | | 25°C | | | 85°C | | | Units | Figure Number |
|-----------------------|---|-------|-----|------|------|-----|------|------|-----|------|-------|---------------|
| | | Min | Typ | Max | Min | Typ | Max | Min | Typ | Max | | |
| f_{MAX} | Maximum Toggle Frequency | | | | | | | | | | GHz | |
| t_{PLH} , t_{PHL} | Propagation Delay to Output (Diff) (SE) | 150 | 275 | 400 | 225 | 300 | 375 | 240 | 315 | 390 | ps | Figures 1, 3 |
| t_{SKEW} | Duty Cycle Skew (Note 12) | | 5 | 30 | | 5 | 20 | | 5 | 20 | ps | |
| t_{JITTER} | Cycle-to-Cycle Jitter | | | TBD | | | TBD | | | TBD | ps | |
| V_{PP} | Input Swing | 150 | | 1000 | 150 | | 1000 | 150 | | 1000 | mV | Figure 1 |
| t_r , t_f | Output Rise Times Q (20% to 80%) | 120 | 220 | 320 | 120 | 220 | 320 | 120 | 220 | 320 | ps | Figure 2 |

Note 10: V_{EE} can vary $\pm 0.3V$.

Note 11: Measured using a 750 mV input swing centered at $V_{CC} - 1.32V$; 50% duty cycle clock source; $t_r = t_f = 250$ ps (20% - 80%) at $f_{IN} = 1$ MHz. All loading with 50 Ω to $V_{CC} - 2.0V$.

Note 12: Duty cycle skew is the difference between a t_{PLH} and t_{PHL} propagation delay through a device under identical conditions.

Switching Waveforms

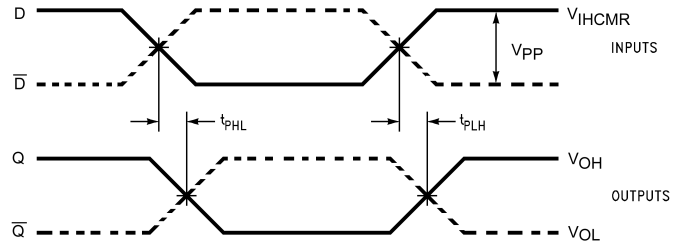


FIGURE 1. Differential to Differential Propagation Delay

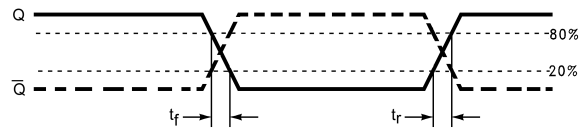


FIGURE 2. Differential Output Edge Rates

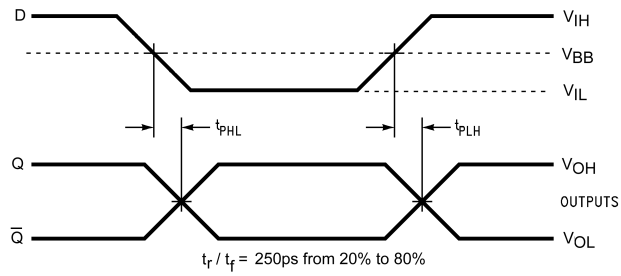
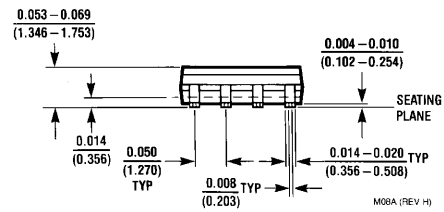
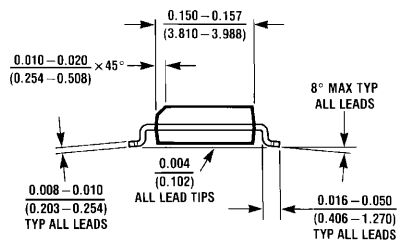
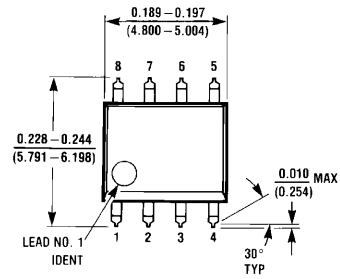


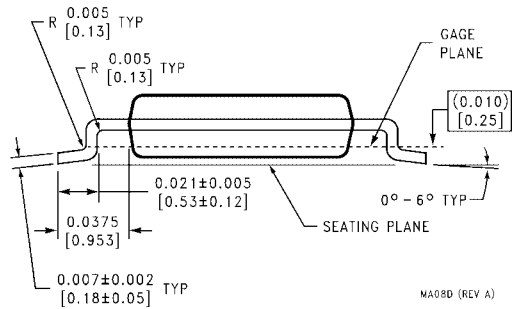
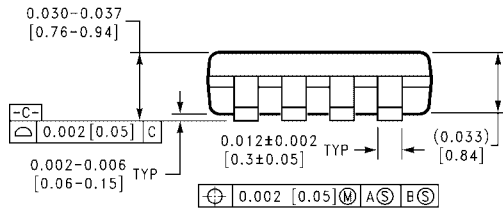
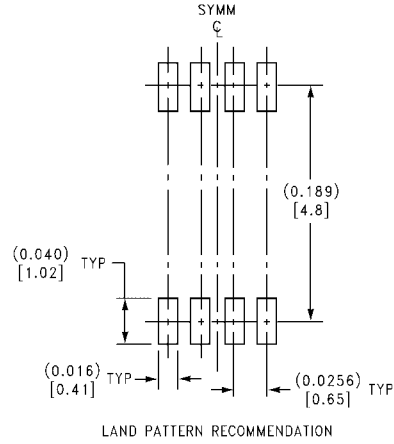
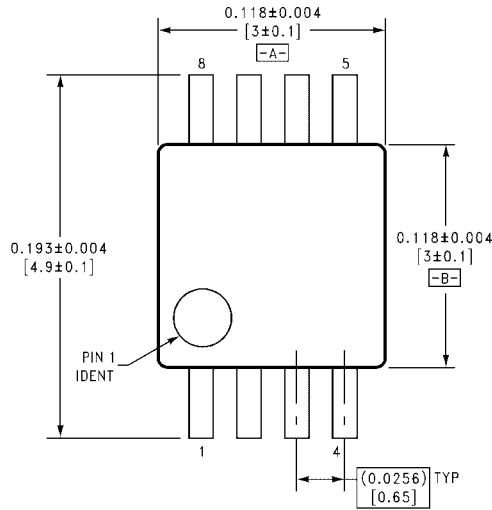
FIGURE 3. Single Ended to Differential Propagation Delay

Physical Dimensions inches (millimeters) unless otherwise noted



**8-Lead Small Outline Integrated Circuit (SOIC), JEDEC MS-012, 0.150" Narrow
Package Number M08A**

Physical Dimensions inches (millimeters) unless otherwise noted (Continued)



8-Lead Molded Small Outline Package (MSOP), JEDEC MO-187, 3.0mm Wide Package Number MA08D

Fairchild does not assume any responsibility for use of any circuitry described, no circuit patent licenses are implied and Fairchild reserves the right at any time without notice to change said circuitry and specifications.

LIFE SUPPORT POLICY

FAIRCHILD'S PRODUCTS ARE NOT AUTHORIZED FOR USE AS CRITICAL COMPONENTS IN LIFE SUPPORT DEVICES OR SYSTEMS WITHOUT THE EXPRESS WRITTEN APPROVAL OF THE PRESIDENT OF FAIRCHILD SEMICONDUCTOR CORPORATION. As used herein:

1. Life support devices or systems are devices or systems which, (a) are intended for surgical implant into the body, or (b) support or sustain life, and (c) whose failure to perform when properly used in accordance with instructions for use provided in the labeling, can be reasonably expected to result in a significant injury to the user.
2. A critical component in any component of a life support device or system whose failure to perform can be reasonably expected to cause the failure of the life support device or system, or to affect its safety or effectiveness.

www.fairchildsemi.com

Looking for pricing, stock, or lifecycle information?

Click below to explore more details on WIN SOURCE:

 [View 100LEVEL16MX](#) on WIN SOURCE

 [ON Semiconductor](#) Information

Optimize Your Supply Chain with WIN SOURCE Solutions

-  Global Sourcing Solution
-  Obsolete Management
-  Cost Control Management
-  Shortage Management
-  Alternative Solution
-  Excess Inventory Management