



**THE DATASHEET OF  
OSTTC042162**



Transfer or duplication of this document as well as the utilisation or communication of its content are not permitted unless express consent is granted. Violations give rise to claims for damages. All rights reserved in case of patent, utility model or design patent registrations.

Technical

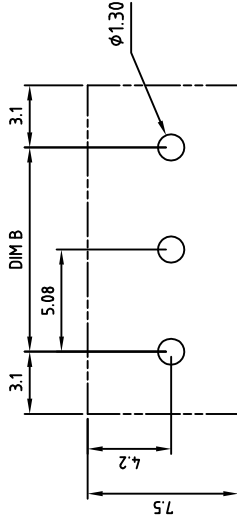
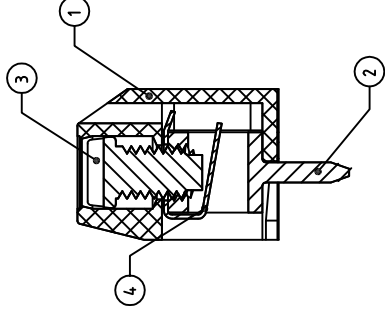
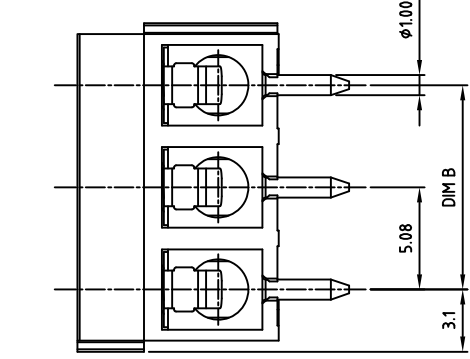
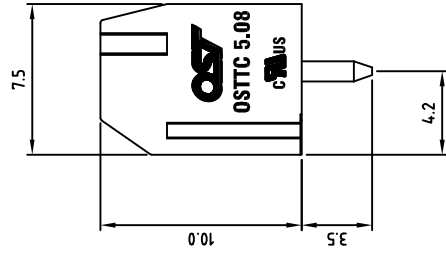
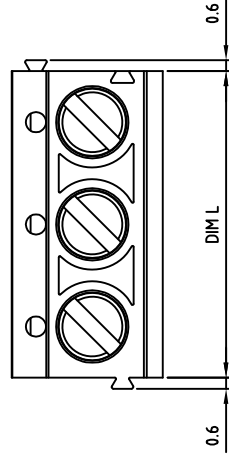
- 1.Nominal PITCH:-
- 2.Connec A WG 2-
- 3.Insulat AC 160V
- 4.Insulat 1000Mpc
- 5.Tighten 4.0kgf
- 6.Screw
- 7.Strippi
- 8.Operat Solder
- 9.Undime

Dim.L=	0-30m
Dim.B=	over 3-
P= nu	over 6-
	over 9-

- 10.Safety
- 11.RoHS Co

Part No.:

OS



ON-SHORE TECHNOLOGY, INC.

△	SIGN	DESCRIPTION	CHK.	DATE
---	------	-------------	------	------

4	WIRE GUARD	Stainless steel	
3	SCREW	STEEL	
2	CAGE	BRASS	
1	BODY	PA66 UL94V-0	
ITEM	NAME OF PART	MA	
DWG.	WF. Zhang	DATE	2015.11.23
CHK.		DATE	
APP.		DATE	

## Looking for pricing, stock, or lifecycle information?

Click below to explore more details on WIN SOURCE:

- ⊖ [View OSTTC042162 on WIN SOURCE](#)
- ⊖ [On Shore Technology Inc. Information](#)

## Optimize Your Supply Chain with WIN SOURCE Solutions

- ✓ Global Sourcing Solution
- ✓ Obsolete Management
- ✓ Cost Control Management
- ✓ Shortage Management
- ✓ Alternative Solution
- ✓ Excess Inventory Management