

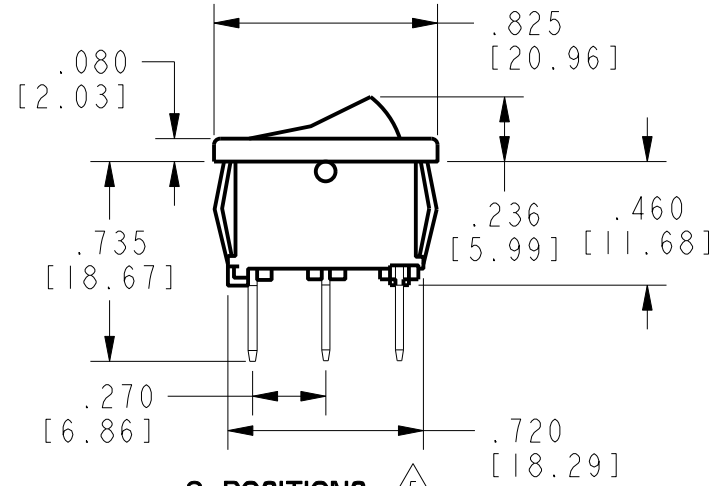


**THE DATASHEET OF  
MRS93-16BB**

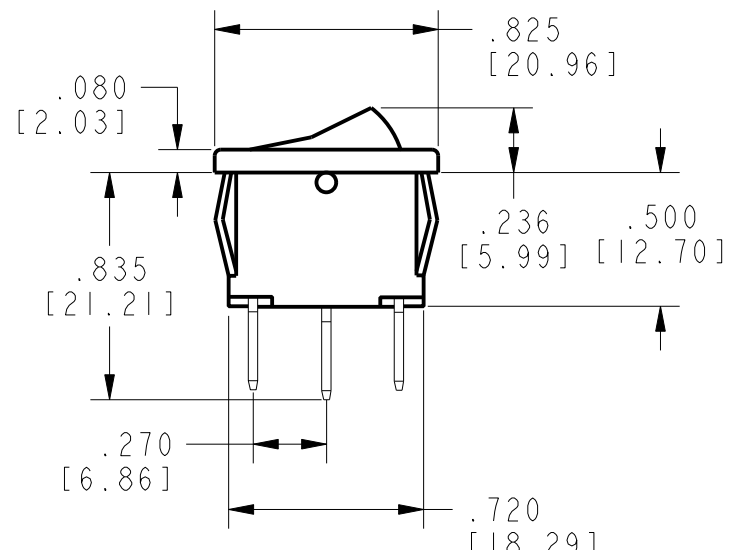


HONEYWELL  
PART NUMBER  
4

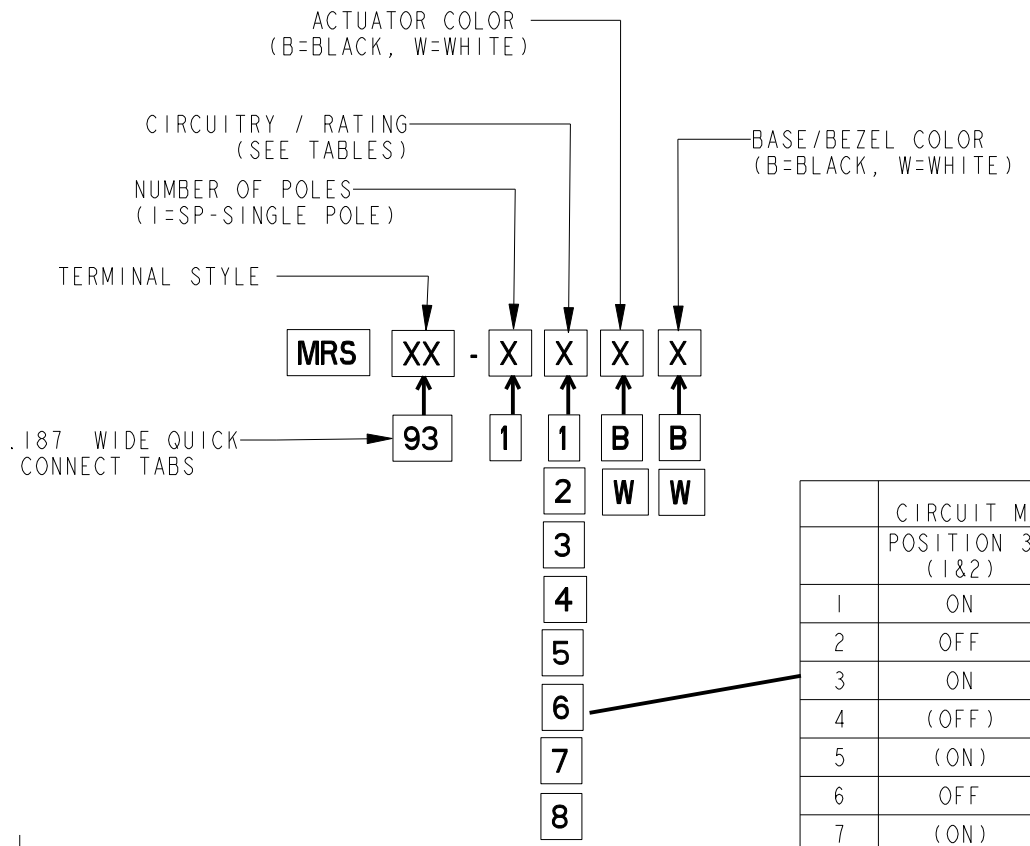
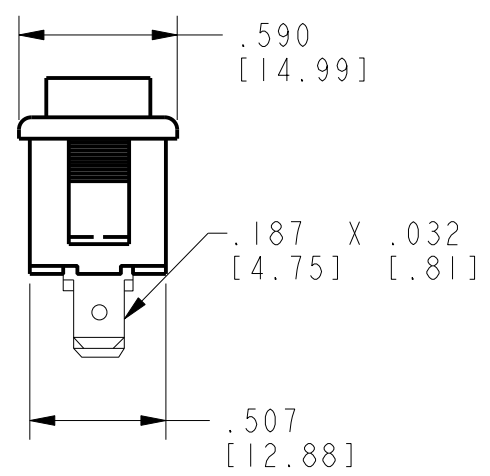
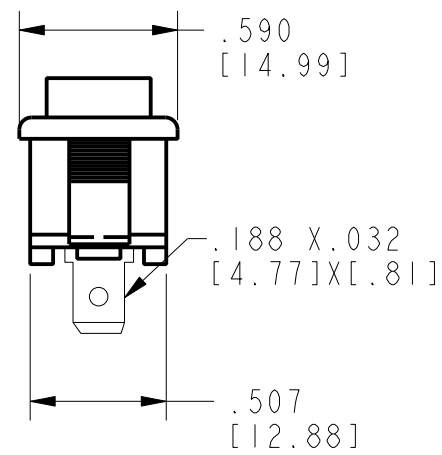
REV	DOCUMENT	CHANGED BY	CHECK
A	0016263	KSR 27OCT05	RJ



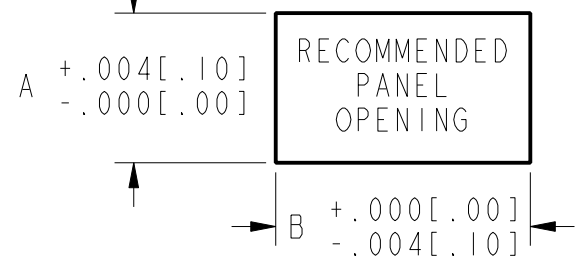
2 POSITIONS 5



3 POSITIONS 6



	CIRCUIT MADE WITH ROCKER IN $\Delta$			ELECTRICAL RATING
	POSITION 3 (1&2)	POSITION 2	POSITION 1 (2&3)	
1	ON	OFF	ON	2
2	OFF	NONE	ON	1
3	ON	NONE	ON	1
4	(OFF)	NONE	ON	3
5	(ON)	OFF	ON	2
6	OFF	NONE	(ON)	3
7	(ON)	OFF	(ON)	2
8	(ON)	NONE	ON	3



PANEL THICKNESS	A	B
.030 [.76] - .050 [1.27]	.508 [12.90]	.756 [19.20]
.050 [1.27] - .078 [1.98]	.508 [12.90]	.764 [19.40]
.078 [1.98] - .125 [3.17]	.508 [12.90]	.780 [19.81]

ELECTRICAL RATINGS		
1	10A, 125VAC 10A, 250VAC 1/4HP, 125-250VAC	UL CSA
2	8A, 125-250VAC 1/4HP, 125-250VAC	
3	12A, 125VAC 6A, 250VAC 1/4HP, 125-250VAC	

- 1 - OPERATING TEMPERATURE RANGE : 32°F TO 185°F
- 2 - ELECTRICAL LIFE : 50,000 CYCLES MOMENTARY.  
100,000 CYCLES MAINTAINED.
- 3 - MECHANICAL LIFE : 100,000 CYCLES
- 4 - SEE DIAGRAM FOR CATALOGING SCHEME
- 5 - CATALOG LISTINGS WITH CIRCUITRY OF "NONE" FOR POSITION 2
- 6 - CATALOG LISTINGS WITH CIRCUITRY OF "OFF" FOR POSITION 2
- 7 - PARENTHESES DENOTE MOMENTARY ACTION

DESIGN UNITS: INCH  
TOLERANCES UNLESS NOTED:

NO PLACE	X	±	0.040
ONE PLACE	.X	±	0.030
TWO PLACE	.XX	±	0.015
THREE PLACE	.XXX	±	0.015
FOUR PLACE	.XXXX	±	0.005
ANGLES	X	±	2

THIRD ANGLE PROJECTION

DRAWN	NM	15 JUN 05
CHECK	RJ	27OCT05
THIS DRAWING COVERS A PROPRIETARY ITEM AND IS THE PROPERTY OF HONEYWELL. THIS DRAWING IS NOT TO BE COPIED OR USED WITHOUT THE PERMISSION OF HONEYWELL.		
INTERPRET PER ASME Y14.5M-1994 OTHER HONEYWELL ENGINEERING STANDARDS MAY APPLY		
Pro/ENGINEER		2D

**Honeywell**

**SWITCH , ROCKER**

SIZE	TYPE	DRAWING NAME	REV
<b>B</b>	<b>I</b>	<b>MRS SERIES CHART 1</b>	<b>A</b>
SCALE	-	SHEET	1 OF 1

## Looking for pricing, stock, or lifecycle information?

Click below to explore more details on WIN SOURCE:

 [View MRS93-16BB on WIN SOURCE](#)

 [Honeywell Information](#)

## Optimize Your Supply Chain with WIN SOURCE Solutions

-  Global Sourcing Solution
-  Obsolete Management
-  Cost Control Management
-  Shortage Management
-  Alternative Solution
-  Excess Inventory Management