

UBC-DS31

NXP ARM® Cortex®-A9 i.MX6 Full HD RISC Signage Box



Features

- NXP ARM® Cortex®-A9 i.MX6 dual-core 1 GHz processor
- Onboard 1GB DDR3 memory and 4GB eMMC
- Full HD 1080p hardware video codec engine
- GigaLAN networking capability
- Low power consumption, fanless design
- Removable SD card cover, supports wall mounts, VESA standard mount, and flexible mount brackets with screws



Introduction

UBC-DS31 is a RISC-based signage box powered by a NXP ARM® Cortex®-A9 i.MX6 dual-core processor with built-in Gigabit Ethernet for networking and full HD video capabilities. The compact design and support for flexible mounting options, including wall mount brackets and VESA 75/100 standard mounts, ensures easy installation in any application environment. UBC-DS31 can be preloaded with SUSIAccess Signage or U-Poster software for remote management and signage player control capabilities.

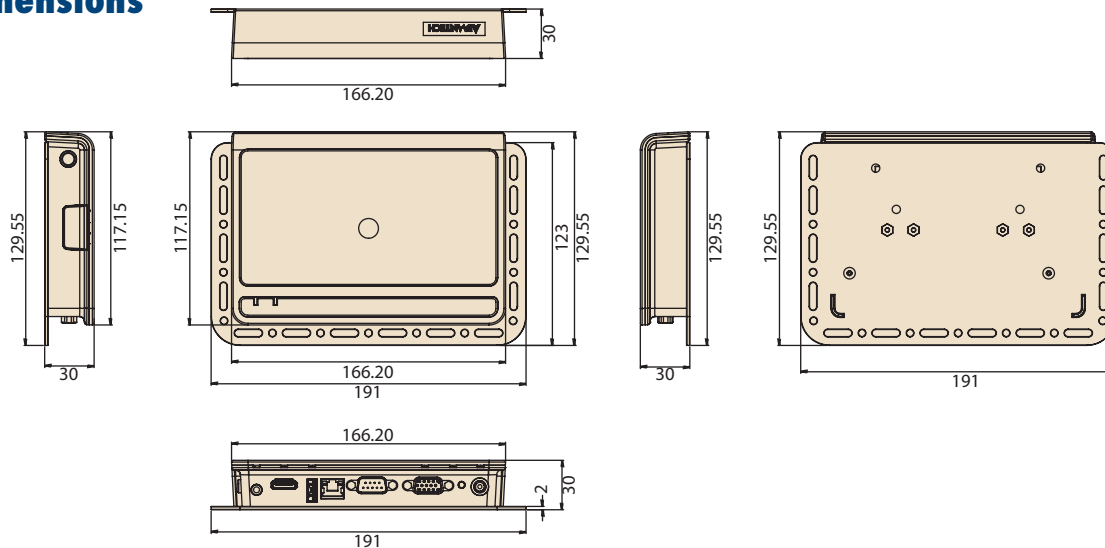
SUSIAccess Signage is a Linux-based software program that integrates multiple functions, including content production and device management, to support remote device monitoring and management over Ethernet networks.

Specifications

Processor System	CPU	NXP ARM® Cortex®-A9 i.MX6 dual-core 1 GHz processor
	Technology	DDR3 1066 MHz
Memory	Capacity	On-board DDR3 1GB
	Flash	4 GB of eMMC NAND Flash for OS and 4 MB of SPI NOR Flash for Advantech's boot loader
	HDMI	1 HDMI, 1920 x 1080 at 60Hz
Graphics	VGA	1 VGA, 1920 x 1080 at 60Hz
	Graphics Engine	2 x IPU's. OpenGL ES 2.0 for 3D, BitBlt for 2D and OpenVG 1.1
	H/W Video Codec	Decoder: MPEG-4 ASP, H.264 HP, H.263, MPEG-2 MP Encoder: MPEG-4 SP, H.264 BP, H.263
Ethernet	Chipset	NXP i.MX6 integrated RGMII
	Speed	1 x 10/100/1000 Mbps
RTC	RTC	Yes
Watchdog Timer	Watchdog Timer	256-level timer intervals, from 0 ~ 128 sec
I/O	USB	1
	Audio	1 x Line-out
	SPDIF	-
	SDIO	1 x SD slot
	Serial Port	1 x RS-232 (CTS,RTS,Tx, Rx)
	Button	1 x Reset button
Indicator	LED	2 x Green LEDs for system power and RF status
Expansion	Mini PCIe	1 x Mini PCIe port
	SIM	1 x SIM port
Power	Power Supply Voltage	12 V _{DC}
	Power Type	DC-in
	Power Consumption	2.3W (Max)
Environment	Operating Temperature	0 - 40 °C
	Operating Humidity	5 - 95% relative humidity, non-condensing
Mechanical	Dimensions (W x D)	191 x 129 x 30 mm with metal plate 166 x 117 x 30 mm without metal plate
	Mounting	Wall mount, VESA 75/100 standard mount, and flexible mount brackets with two screw holes on the metal plate
	Weight	265 g
Operating System	Linux	SUSIAccess Signage
Certifications		CE/FCC Class B

Dimensions

Unit: mm



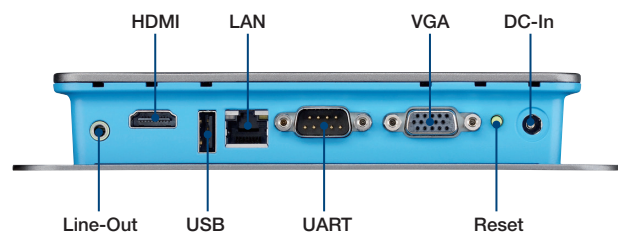
Ordering Information

Part Number	CPU	Memory	Flash Memory	UART	LAN	USB Host	HDMI	Mini PCIe/SIM	Software	Operating Temperature
UBC-DS31CD-MDA1E	NXP Cortex-A9 i.MX6 dual-core, 1 GHz	1 GB	4 GB	1	1	1	1	1	SUSIAccess Signage	0 ~ 40 °C

Packing List

Part Number	Description	Quantity
1990022408T000	UBC-D31-SD card cover	1
1931041020	VESA mount bracket screws	4
1930003218	VESA mount brackets with system screws	2
2022DS3100	UBC-DS31 China RoHS	1
2002DS3110	Quick start guide	1

External I/O



Optional Accessories

Part Number	Description
96PSA-A36W12R1	Power Adapter 100-240V 36W 12V
1700001524	Power cord 3P UL 180cm
170203183C	Power cord 3P EU 183cm
170203180A	Power cord 3P UK 183cm
1700008921	Power Cord 3P PSE 183cm
EWM-W142F01E	802.11 b/g/n, AR9287, 2T2R, full-size mini PCIe
EWM-C106FT02E	HSPA/WCDMA/GPRS cellular module
1750006043	Cable R/P SMA (M) to MHF 1.32 150 mm (Wi-Fi cable)
1750000318	EMI antenna 2DBI 2.4 GHz SMA CONN for ARK-3384 (Wi-Fi antenna)
1750006264	Antenna SMA(F)/MHF 15 cm SMALFN8-3150A-00X00R (3G cable)
1750005865	Antenna, 10.9 cm, 50 ohm, AN8921F-5701SM (3G antenna)
1700021565-01	Debug cable
SQF-ISDS1-2G-86E	SQFlash SD card SLC 2G (-40 ~ 85 °C)

Looking for pricing, stock, or lifecycle information?

Click below to explore more details on WIN SOURCE:

 [View UBC-DS31CD-MDA1E on WIN SOURCE](#)

 [Advantech Corp Information](#)

Optimize Your Supply Chain with WIN SOURCE Solutions

-  Global Sourcing Solution
-  Obsolete Management
-  Cost Control Management
-  Shortage Management
-  Alternative Solution
-  Excess Inventory Management