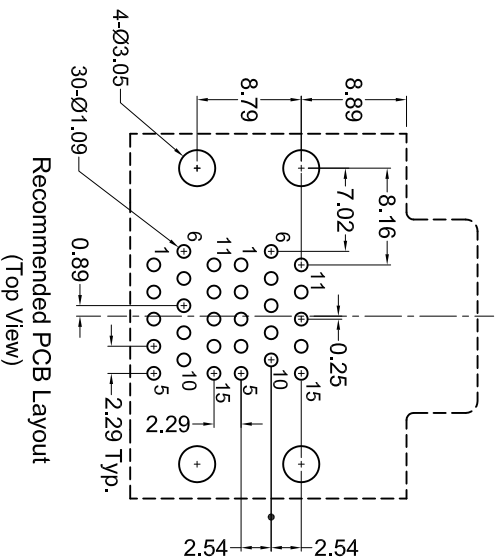
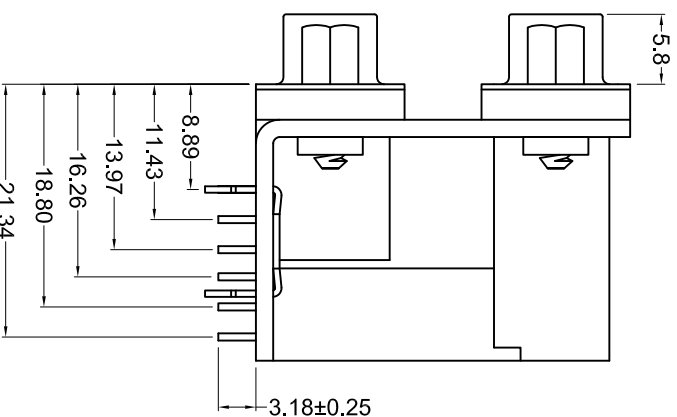
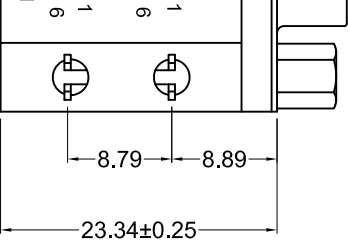
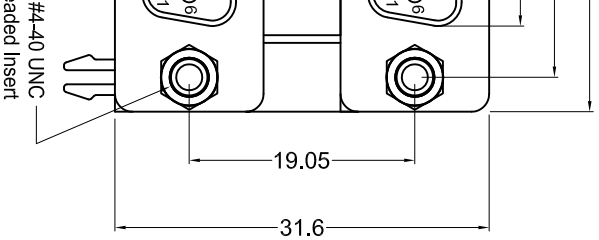




**THE DATASHEET OF  
K42X-E15S/S-A4NJ**





**Shipping Information**

Contact Area Plating Finish
Gold Flash (standard)
15u" Gold (15 option)
30u" Gold (30 option)

V. BY	CHK. BY	DRAWN BY	DATE
Y. Aguirre	H. MA	R. Aguirre	03/09/06
Y. Aguirre	H. MA		UNITS
Y. Aguirre	H. MA		mm
H. Ma			
H. Ma			
C. Furumasa			
D. Sheehan			

**K42X-E15S/S-A4NJ**

15 pin HD Female/15 pin HD Female D-Sub, RoHS Compliant  
0.750" Spacing with 4 Ground Brackets; jackscrews installed

**Material and Finish**

- Shell: Steel, nickel plated
- Insulator: PBT thermoplastic with glass-fiber reinforcement, UL94V-0 rated
- Color: Black
- Contact Material: Socket - Phosphor Bronze
- Contact Plating Options: Standard: gold flash on mating end, tin on termination end, nickel underplate on entire contact
- 15 Option: 15u" gold on mating end, tin on termination end, nickel underplate on entire contact
- 30 Option: 30u" gold on mating end, tin on termination end, nickel underplate on entire contact

**Electrical Specifications**

- Rated Current: 1.2A
- Rated Voltage: 30V RMS
- Insulation Resistance: more than 1000 megohms at 500V DC
- Contact Resistance: 13 milliohms max.
- Dielectric Withstanding Voltage: 1000V for 1 minute
- Operating Temperature: -55°C to +105°C



Tolerances
X.X ± 0.25
X.XX ± 0.15
Unless Stated Otherwise



LF78160 US

## Looking for pricing, stock, or lifecycle information?

Click below to explore more details on WIN SOURCE:

 [View K42X-E15S/S-A4NJ on WIN SOURCE](#)

 [Kycon, Inc. Information](#)

## Optimize Your Supply Chain with WIN SOURCE Solutions

-  Global Sourcing Solution
-  Obsolete Management
-  Cost Control Management
-  Shortage Management
-  Alternative Solution
-  Excess Inventory Management