



**THE DATASHEET OF
64900613722DEC**



1

2

3

4

5

TECHNICAL CHARACTERISTICS

MATERIAL

CONTACT MATERIAL: COPPER ALLOY
 CONTACT TYPE: STAMPED
 CONTACT PLATING: TIN
 QUALITY CLASS: 25 MATING CYCLES
 PITCH: FOR 4.20MM

ENVIRONMENTAL

OPERATING TEMPERATURE: -40 UP TO 105°C
 COMPLIANCE: LEAD FREE AND ROHS

ELECTRICAL

CURRENT RATING: 6 TO 9A
 WORKING VOLTAGE: 600V AC
 INSULATOR RESISTANCE: >1000 MOHM
 DIELECTRIC WITHSTANDING VOLTAGE: 1500V AC/MN
 CONTACT RESISTANCE: 10 MOHM MAX

WIRE DIMENSION

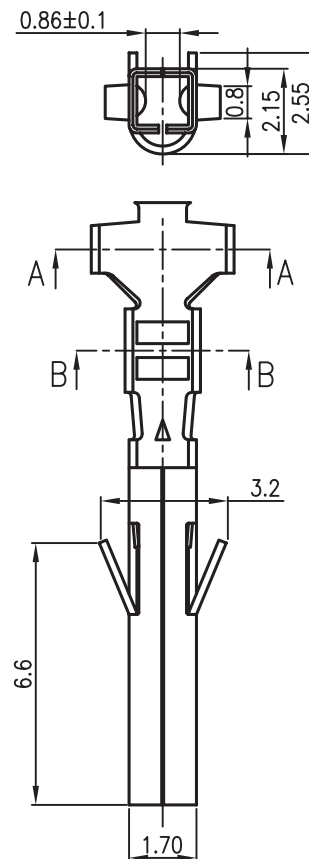
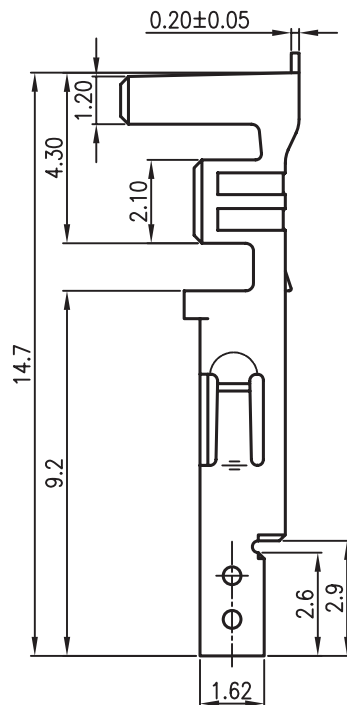
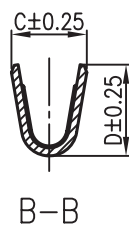
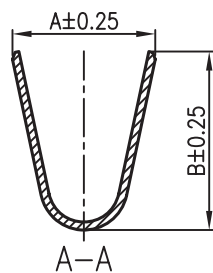
64900613722DEC AWG 18-24

PACKAGING

BULK/LOOSE DELIVERY IN A BAG
 EACH CONTACT SEPARATED FROM EACH OTHER
 NOT IN A REEL
 100PCS/PER BAG. MULTIPLE OF 100PCS ONLY
 1PCS OF 64900613722=1 CRIMP CONTACT
 SO 1 BAG MEANS 100 PCS OF 64900613722

DIMENSION

ORDER CODE	AWG	A	B	C	D
64900613722DEC	18-24	3.60	4.50	1.90	2.30



RoHS Compliant

PROJECTION:



GENERAL TOLERANCE

.X = +/- 0.2

.XX = +/- 0.15



APPROVAL: BBu

UNIT: MM

DESCRIPTION: 4.2MM FEMALE CRIMP TERMINAL 18-24 AWG

SIZE

SCALE:

WERI PART NO: 649 006 137 22 DEC

A4

SHEET: 1/2

DRAW: MIKE

REV	DATE	FILE	BY
G			
F			
E			
D			
C	22-SEP-15	DRAWING	AK
B	13-FEB-14	CORRECTIONS	QL
A	09-MAR-11	CREATION	GG

1

2

3

4

5

Cautions and Warnings:

This electronic component is designed and developed with the intention for use in general electronics equipments.

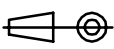

Before incorporating the components into any equipments in the field such as aerospace, aviation, nuclear control, submarine, transportation, (automotive control, train control, ship control), transportation signal, disaster prevention, medical, public information network etc. where higher safety and reliability are especially required or if there is possibility of direct damage or injury to human body, Würth Elektronik must be asked for a written approval.

In addition, even electronic component in general electronic equipments, when used in electrical circuits that require high safety, reliability functions or performance, the sufficient reliability evaluation-check for the safety must be performed before by the user before usage.

A

B

C

RoHS Compliant				PROJECTION: 	GENERAL TOLERANCE .X = +/- 0.2 .XX = +/- 0.15		DESCRIPTION: DISCLAIMER	SIZE A4
G								
F								
E								
D								
C				APPROVAL: JC	UNIT: MM	WERI PART NO: DISCLAIMER	SIZE A4	
B					SCALE:			
A	10-SEP-14	PDF	QL		SHEET: 2/2			
REV	DATE	FILE	BY		DRAW: QL			

D

Looking for pricing, stock, or lifecycle information?

Click below to explore more details on WIN SOURCE:

 [View 64900613722DEC on WIN SOURCE](#)

 [Wurth Electronics Inc Information](#)

Optimize Your Supply Chain with WIN SOURCE Solutions

-  Global Sourcing Solution
-  Obsolete Management
-  Cost Control Management
-  Shortage Management
-  Alternative Solution
-  Excess Inventory Management