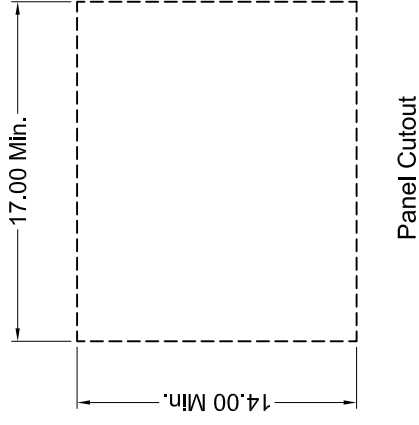
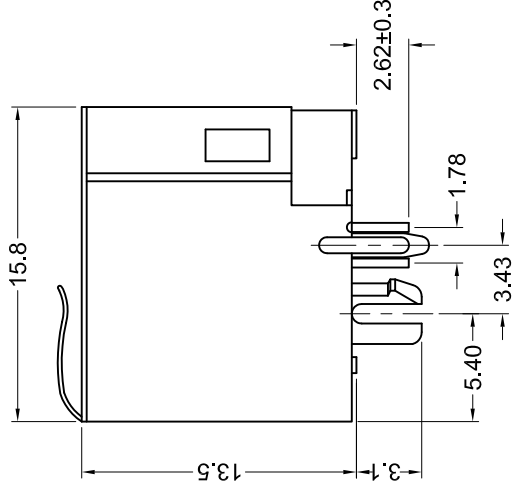
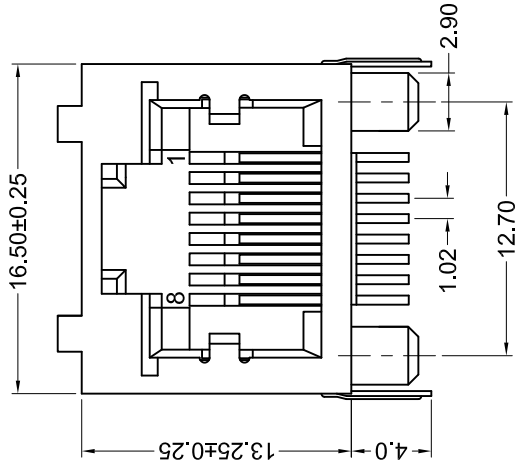


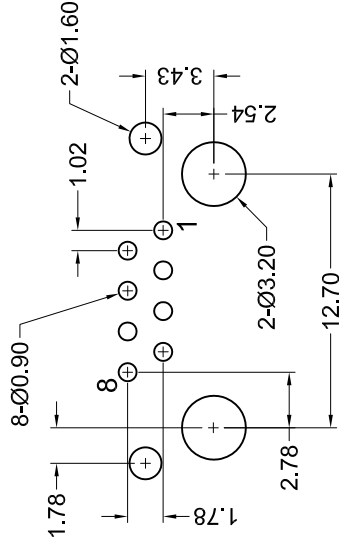
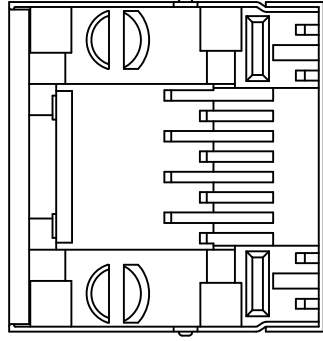


**THE DATASHEET OF  
GWX-S3-88-50**





Panel Cutout



Recommended PCB Layout  
(Top View)

Part Number	Contact Area Plating Finish
GWX-S3-88	Gold Flash (standard)
GWX-S3-88-50	50u" Gold (50 option)

**RoHS COMPLIANT**

REV.	DATE	DESCRIPTION	REV. BY	CHK. BY	DRAWN BY	DATE
A3	08/12/10	ECO #10-055	S. Vien	H. MA	S. Vien	04/29/08
A4	06/11/12	ECO #12-031	S. Vien	P. DaCanto	S. Vien	UNITS
A5	10/05/12	ECO #12-050	S. Vien	P. DaCanto		mm
A6	11/13/12	ECO #12-062	S. Vien	P. DaCanto		
A7	02/19/14	ECO #14-009	D. Gih	H. MA		
A8	04/16/15	Update Drawing View	C. Kelleher	H. MA		

Modular Jack, 8P8C,

**GWX-S3-88**

Top Spring Only, RoHS

## Looking for pricing, stock, or lifecycle information?

Click below to explore more details on WIN SOURCE:

 [View GWX-S3-88-50 on WIN SOURCE](#)

 [Kycon, Inc. Information](#)

## Optimize Your Supply Chain with WIN SOURCE Solutions

-  Global Sourcing Solution
-  Obsolete Management
-  Cost Control Management
-  Shortage Management
-  Alternative Solution
-  Excess Inventory Management