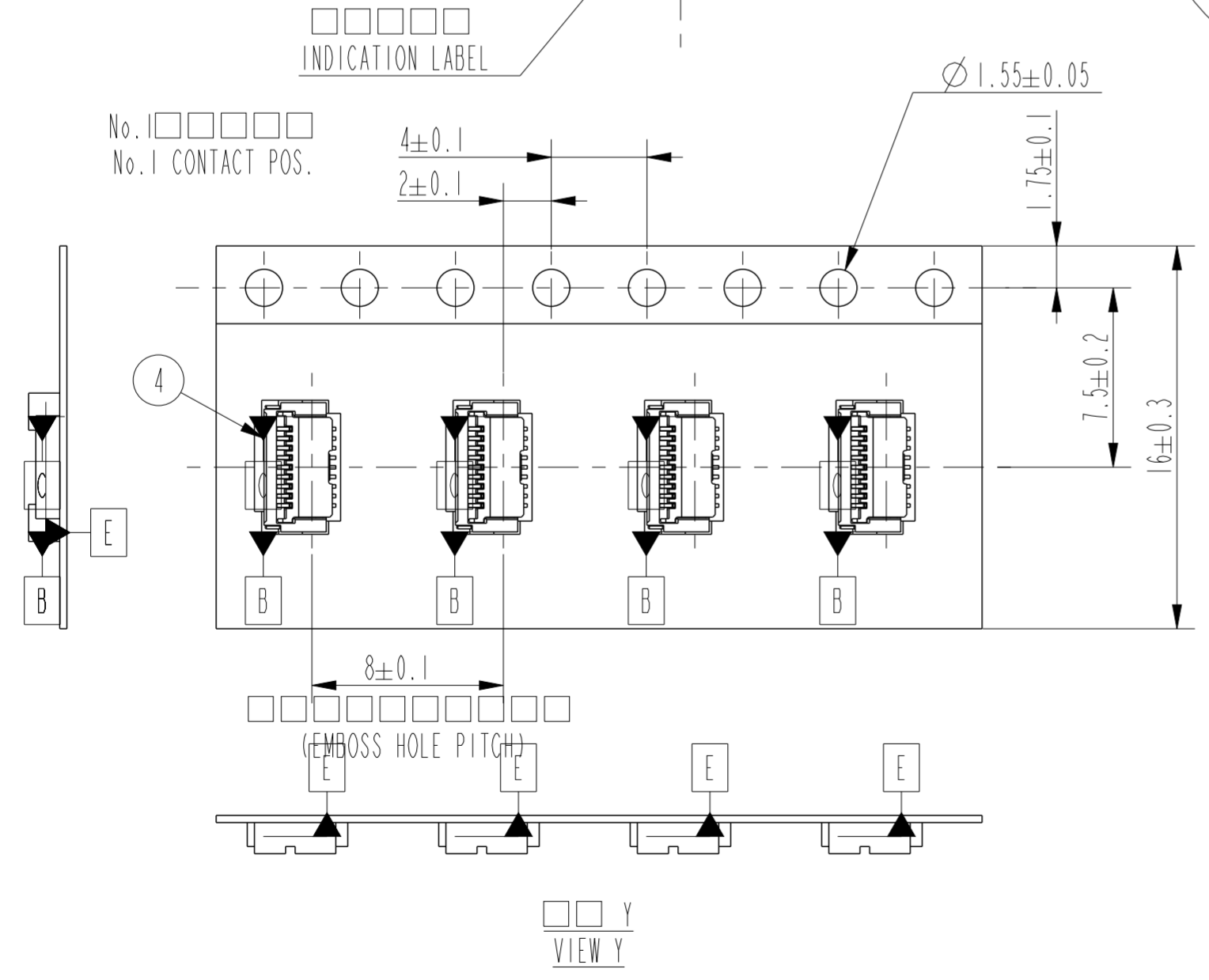
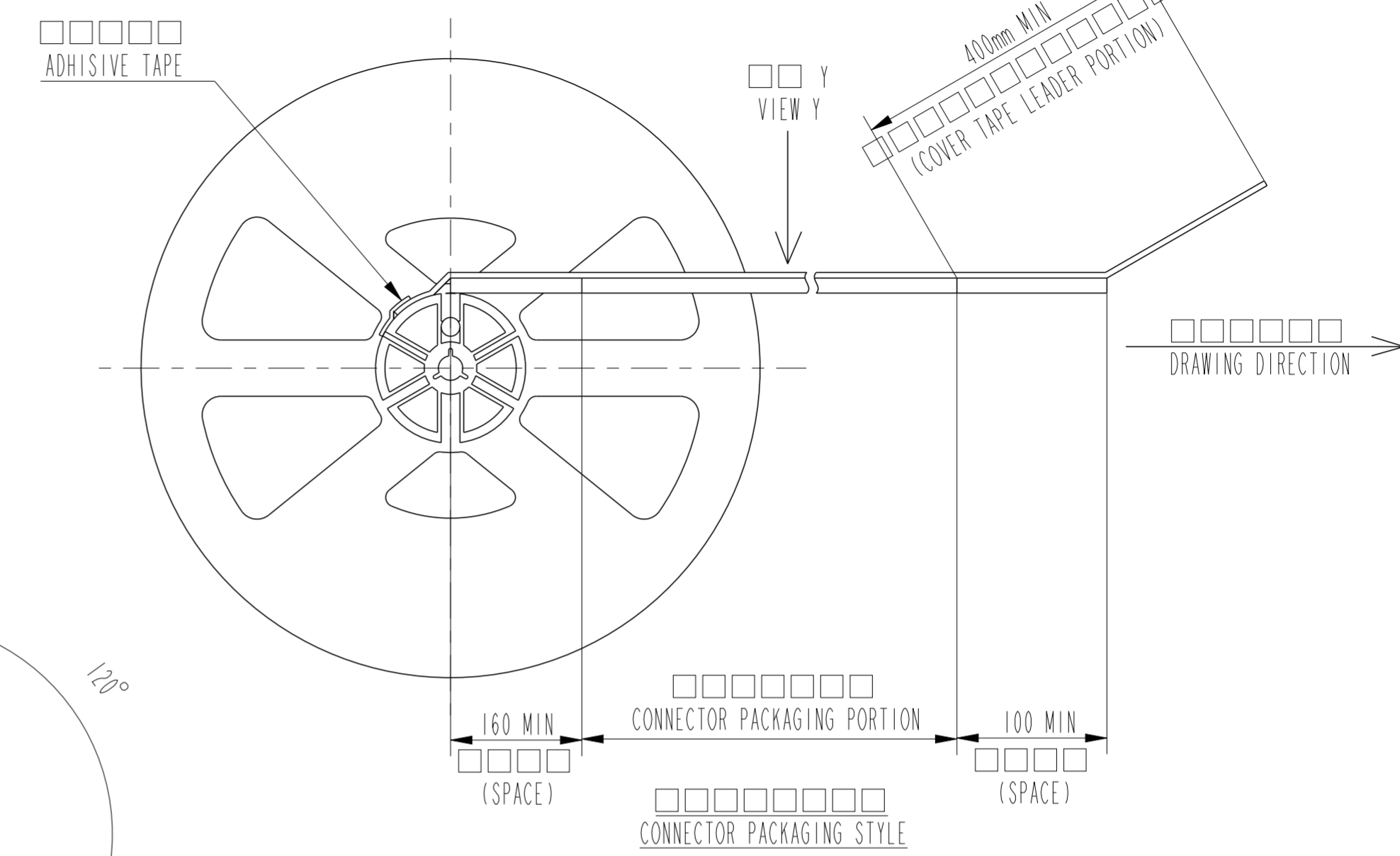
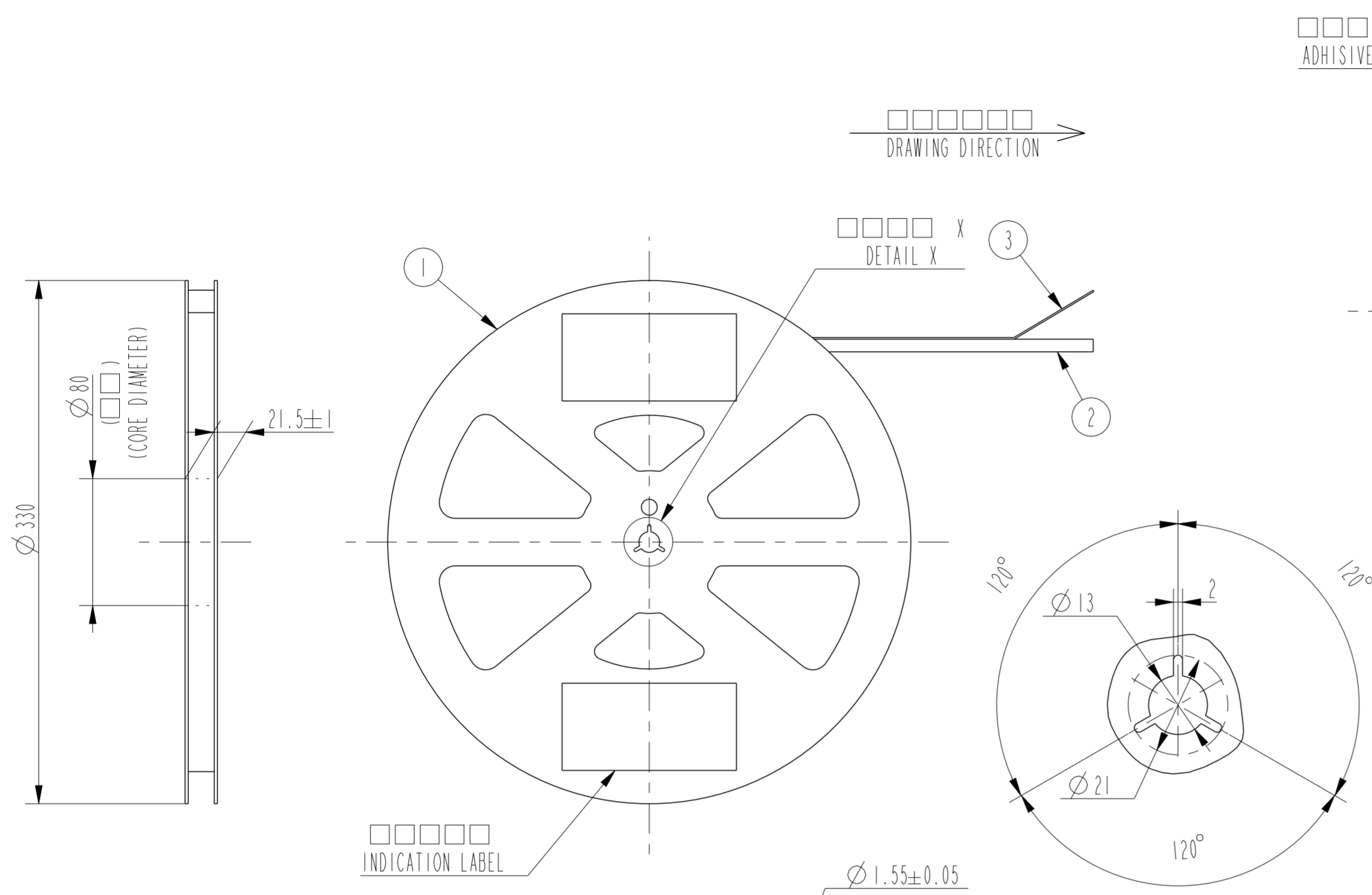




**THE DATASHEET OF
10117184-09B10EHLF**



PRODUCT No.	No. OF CONTACTS
10117184-0410EHLF	4 CONTACTS
10117184-0910EHLF	9 CONTACTS



No.	PART NAME	PRODUCT No.	MATERIAL	Q'TY	NOTE
1	REEL	-----	POLYSTYRENE	1	COLOR:WHITE,ANTI STATIC
2	PLASTIC(EMBOSS)TAPE	-----	PP/PET PP or PET	1	ANTI STATIC
3	COVER TAPE	-----	POLYESTER	1	
4	CONNECTOR	10117184-0.10HLF	SEE ATTACHED DRAWING	5,000	CONTACT AREA PLATING:GOLD TERMINAL AREA PLATING:GOLD

1. (SMT) FPC
 2. () JIS C 0806

NOTE
 1. THIS IS PLASTIC TAPE PACKAGED CONNECTOR USED FOR FPC AND COPES WITH AUTOMATIC MOUNTING(SMT)
 2. SEE JIS C 0806 (PACKING OF ELECTRONIC COMPONENTS ON CONTINUOUS TAPES (SURFACE MOUNTING DEVICES))

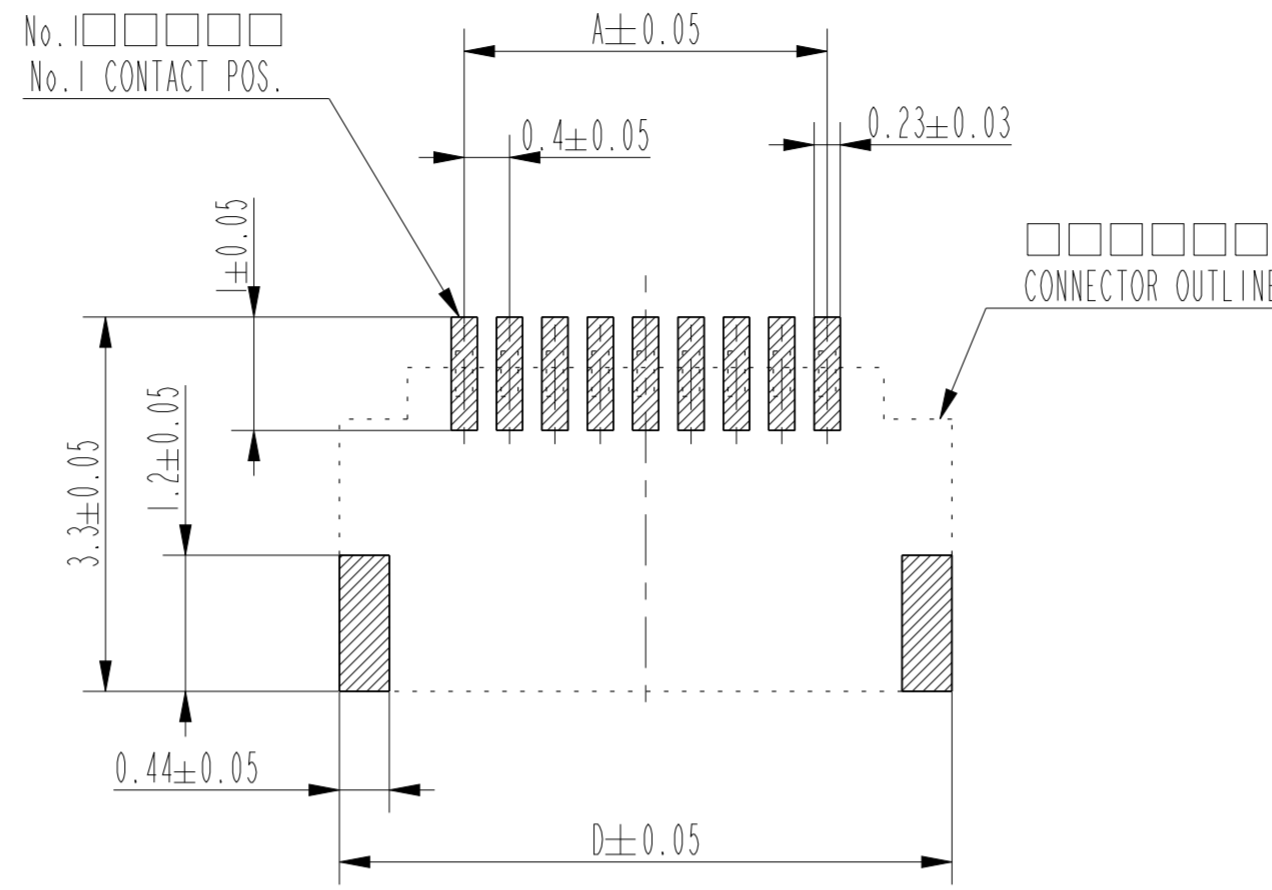
spec ref	dr	2011/1007	projection	MM	size	A2	scale	19.000
tolerance std	eng	2012/09/20	chr		ecn no	ELX-J-012033-1		
	appr	2013/06/26	product family	588F	rel level	Released		
surface	linear	0.X ±	0.XX ±	0.XXX ±	angular	0° ±3°	title	PLASTIC TAPE PACKAGED 0.4mm PITCH FPC CONNECTOR (\1??x/DOWN SIDE CONTACT TYPE)
							cat. no.	Product - Customer Draw
								sheet 1 of 2

Copyright FCI. FCI

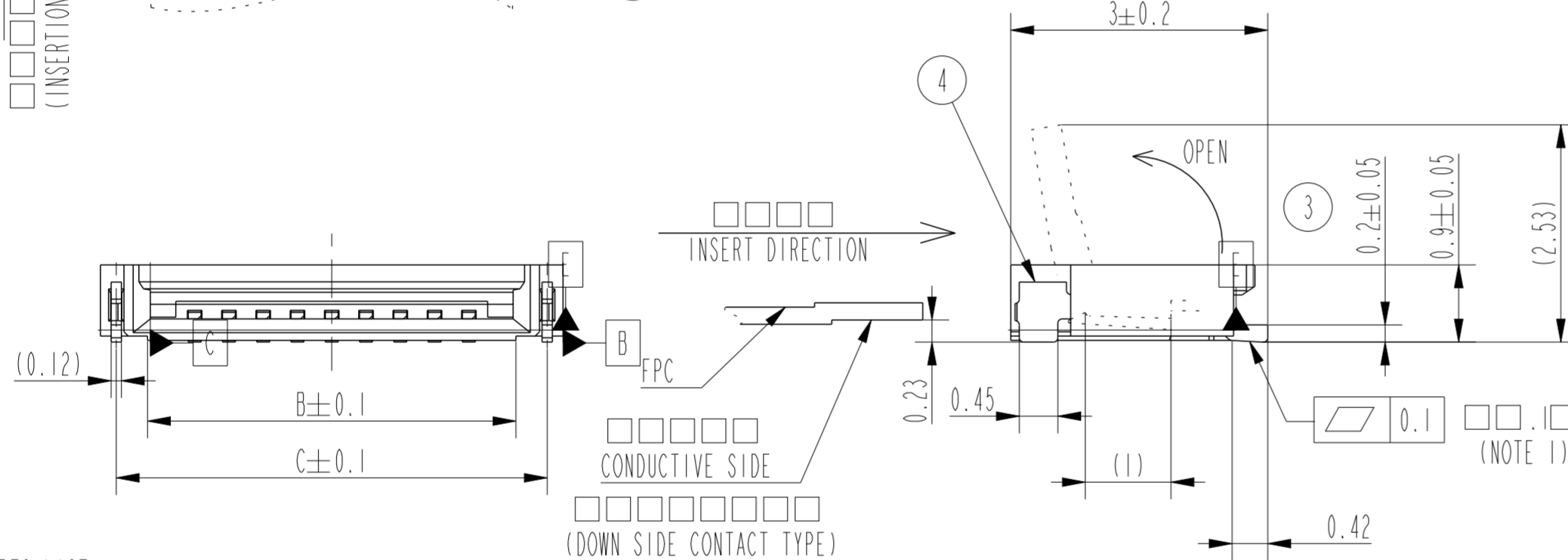
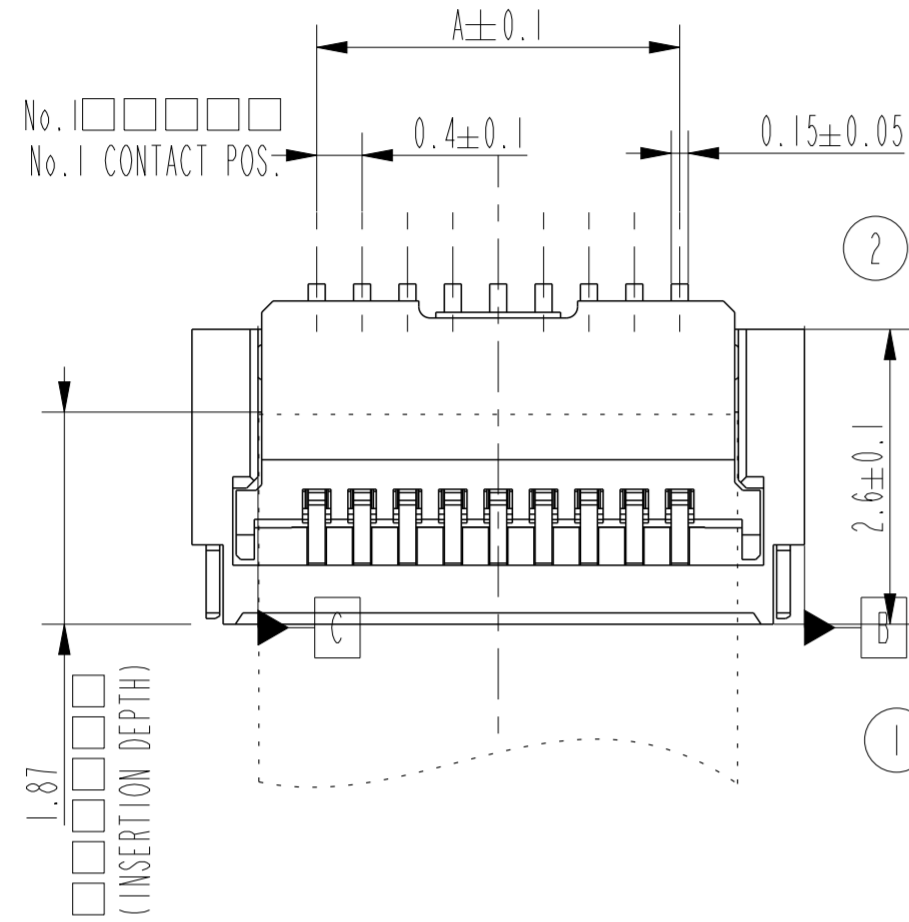
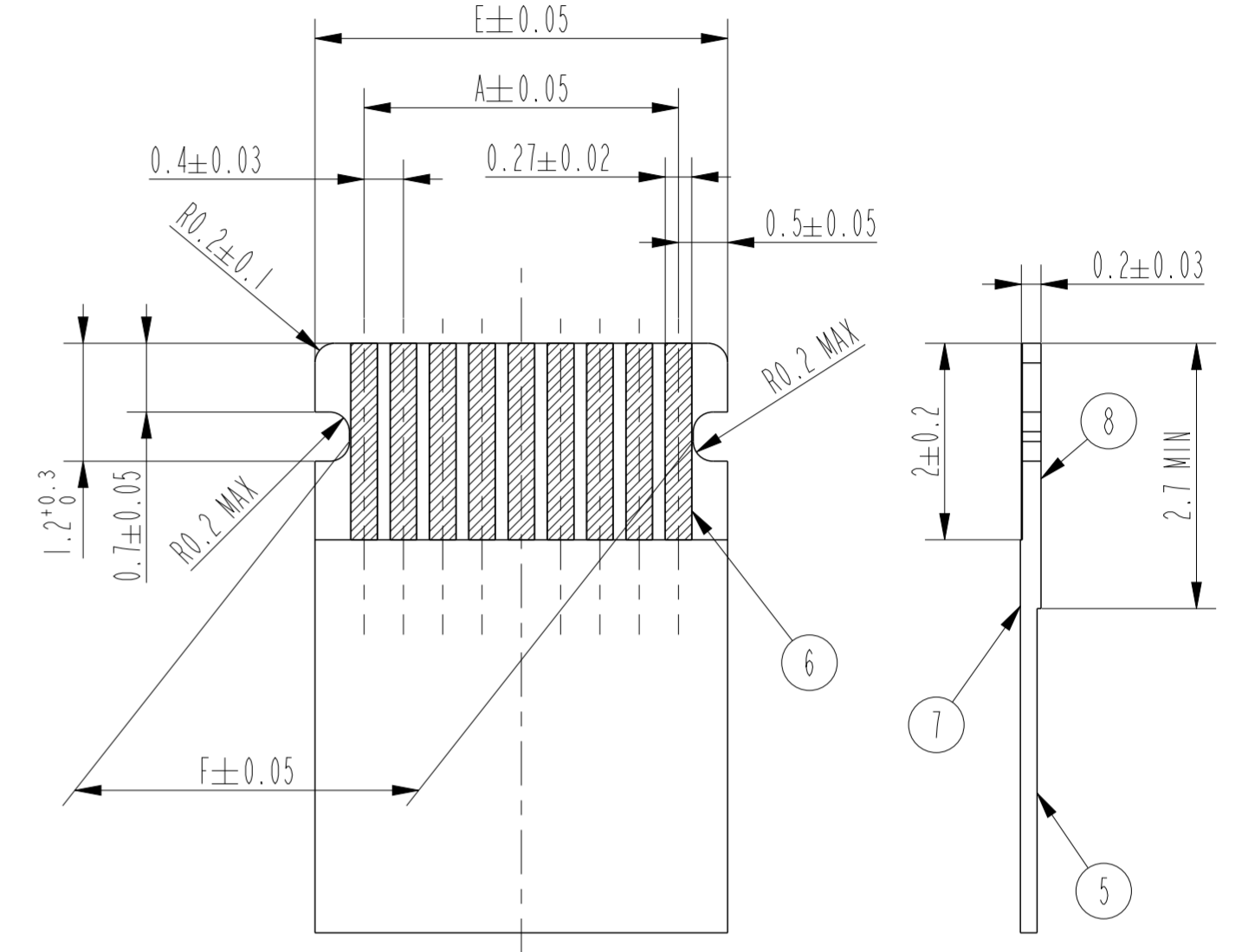
Dimension table

PRODUCT NO.	Contact	A	B	C	D	E	F
10118174-0410EHLF	4	1.2	2.25	3.03	3.4	2.2	1.5
10118174-0910EHLF	9	3.2	4.25	5.03	5.4	4.2	3.5

RECOMMENDED PCB LAYOUT



RECOMMENDED FPC



CONNECTOR PARTS LIST

No.	PART NAME	MATERIAL	Q'TY	NOTE
1	HOUSING	GLASS FILLED THERMOPLASTIC RESIN UL94V-0	1	COLOR:BEIGE Halogen Free
2	ACTUATOR	GLASS FILLED THERMOPLASTIC RESIN UL94V-0	1	COLOR:BRACK Halogen Free
3	CONTACT	COPPER ALLOY	n	CONTACT AREA PLATING:GOLD TERMINAL AREA PLATING:GOLD
4	FIXING TAB	COPPER ALLOY	2	PLATING:TIN(LEAD FREE)

NOTE
 1. COPLANARITY FOR CONTACT TERMINAL AND FIXING TAB MUST BE WITHIN 0.1mm.
 2. THIS PRODUCT MEETS EUROPEAN UNION DIRECTIVES AND OTHER COUNTRY REGULATIONS AS DESCRIBED IN GS-22-008.

FPC PARTS LIST

No.	PART NAME	MATERIAL	NOTE
5	BASE FILM	POLYIMIDE	
6	CONDUCTOR	COPPER FOIL (PLATING:GOLD 0.1μm)	
7	OVER LAY	POLYIMIDE	
8	SUPPORTING TAPE	POLYIMIDE	

NOTE
 ADHISIVE METHOD OF SUPPORTING TAPE SHALL BE HEAT CRIMPING METHOD AND THERMOSETTING ADHISIVE SHALL BE USED

spec ref	dr Naotaka Sasame	2011/10/07	projection	MM	size A2	scale 15.000
tolerance std	eng J Van Koetssem	2012/09/20	chr -		ecn no ELX-J-012033-1	
	chr -		appr Y Kameda	2013/06/26	product family 588f	rel level Released
surface	linear	0.X ±	0.XX ±	0.XXX ±	angular	0° ±3°
Fci		PLASTIC TAPE PACKAGED 0.4mm PITCH FPC CONNECTOR (\1??x/DOWN SIDE CONTACT TYPE)		cat. no.	10117184	rev B
www.fci.com				Product - Customer Drw		sheet 2 of 2

Looking for pricing, stock, or lifecycle information?

Click below to explore more details on WIN SOURCE:

 [View 10117184-09B10EHLF on WIN SOURCE](#)

 [Amphenol FCI Information](#)

Optimize Your Supply Chain with WIN SOURCE Solutions

-  Global Sourcing Solution
-  Obsolete Management
-  Cost Control Management
-  Shortage Management
-  Alternative Solution
-  Excess Inventory Management