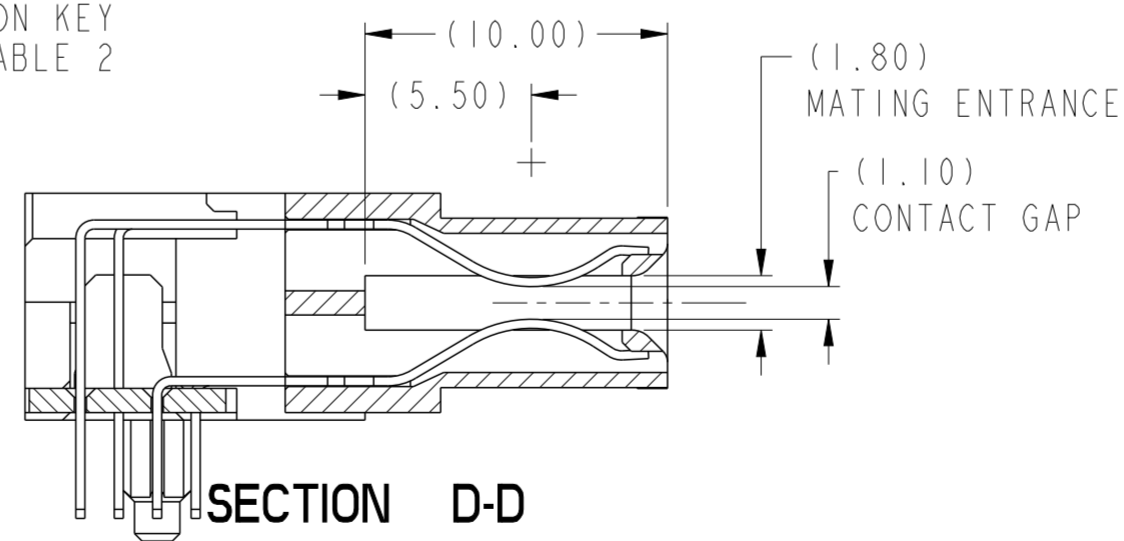
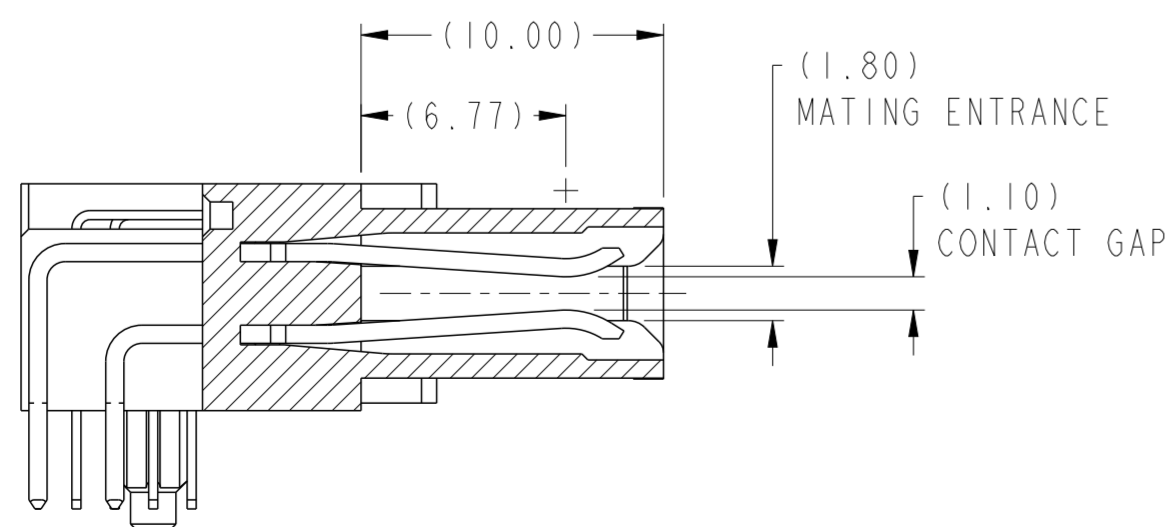
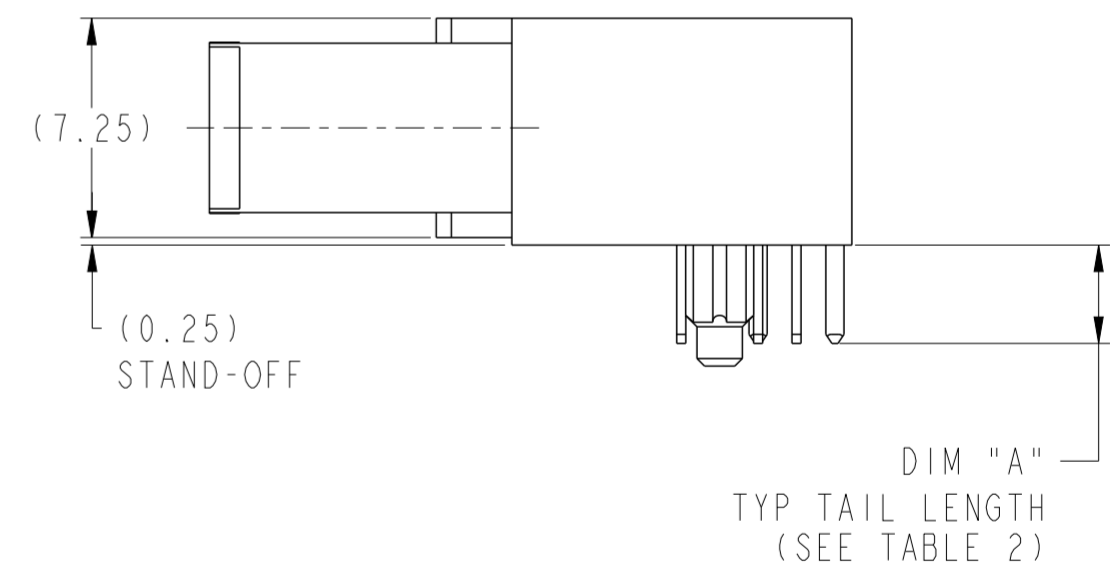
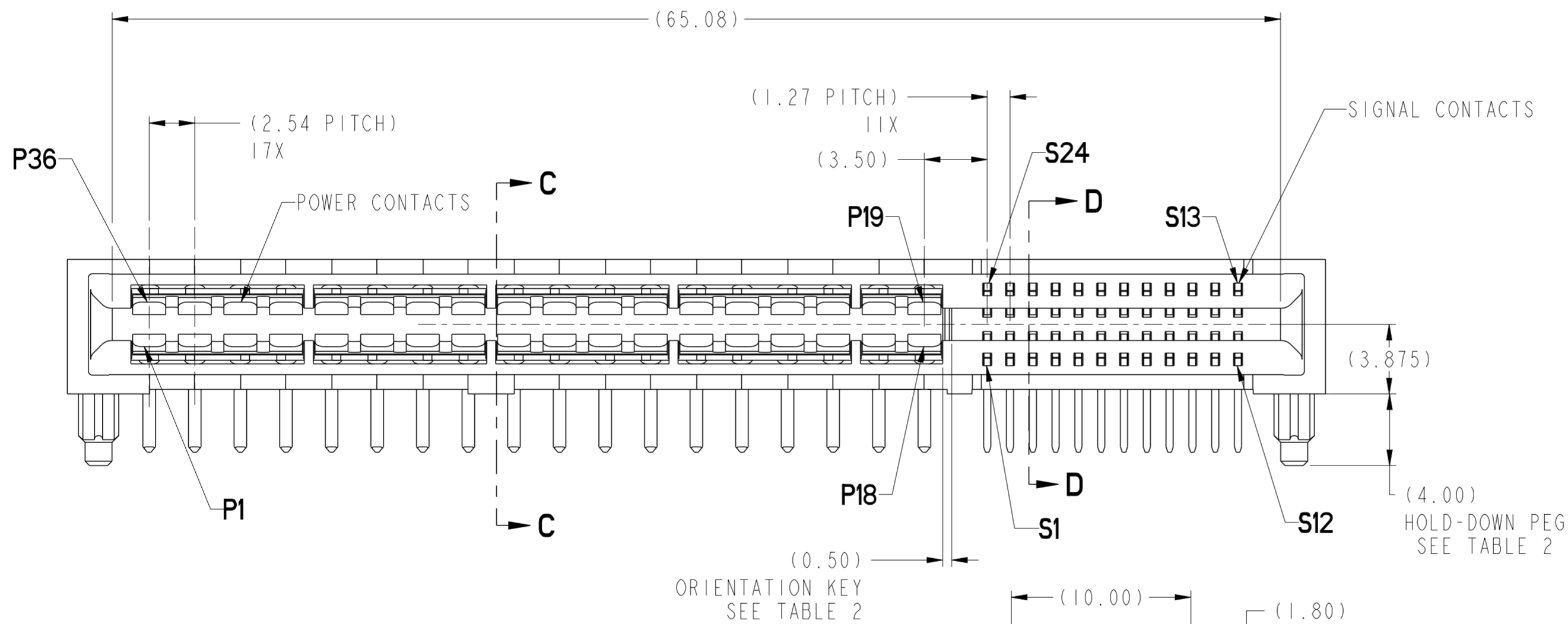
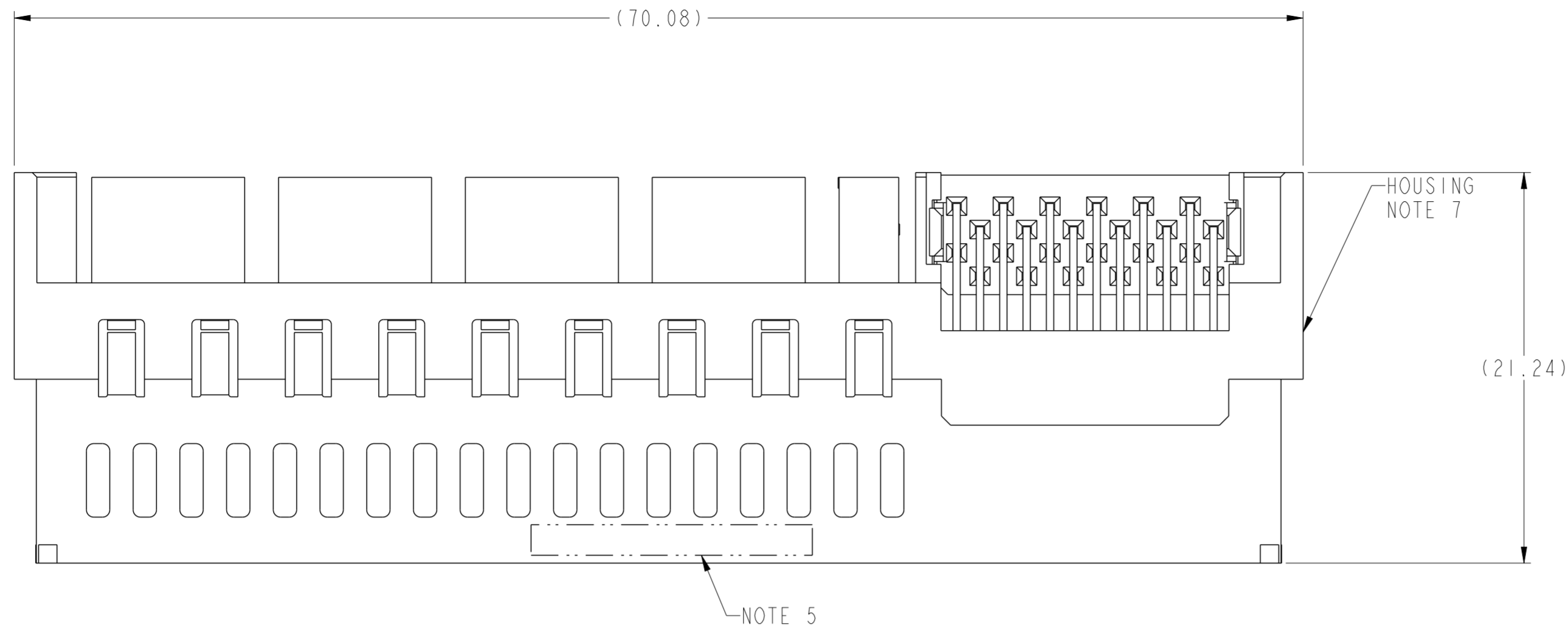


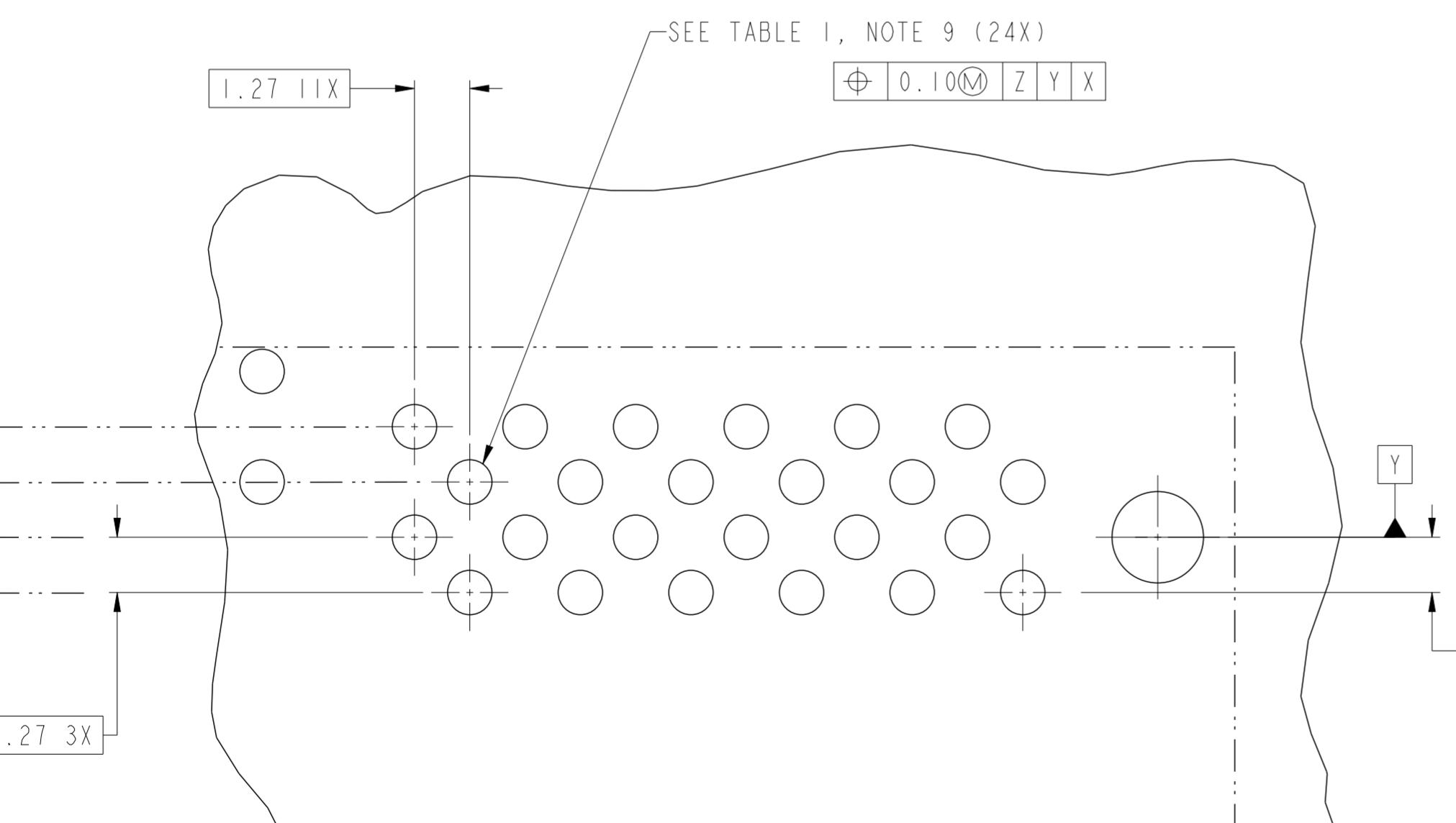
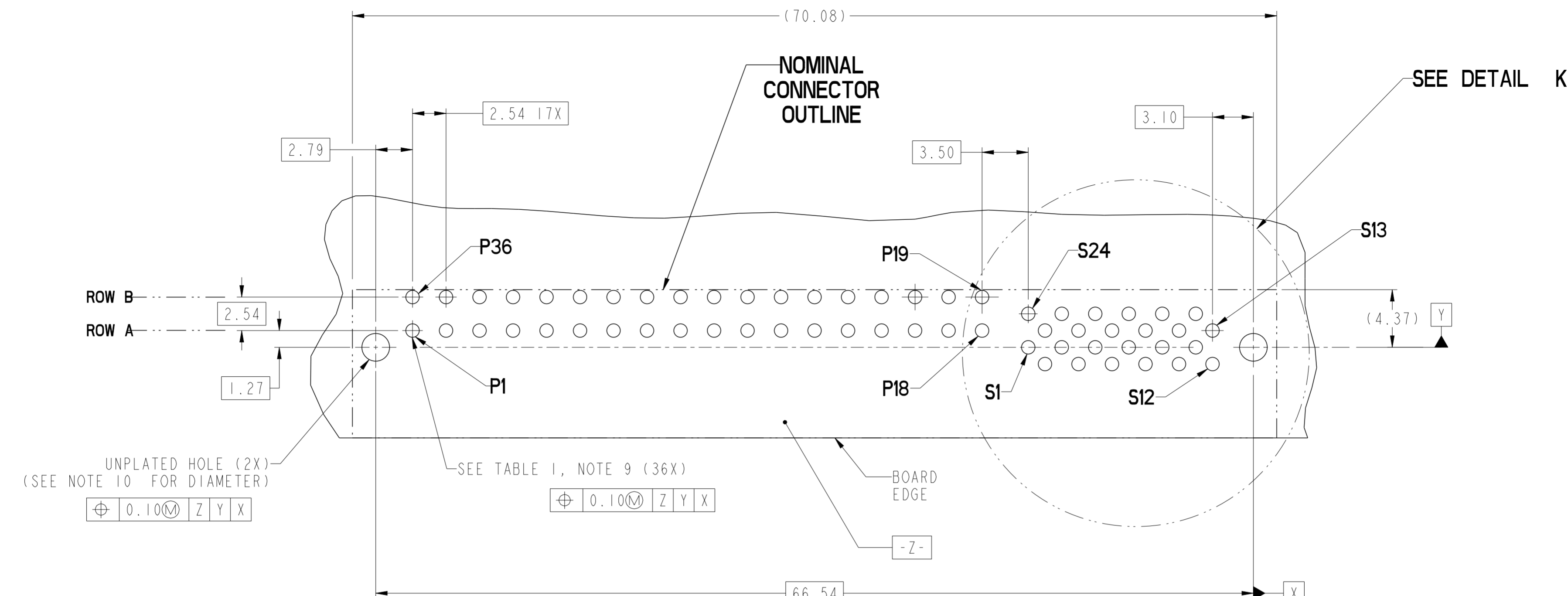


**THE DATASHEET OF**  
**10115859-004LF**

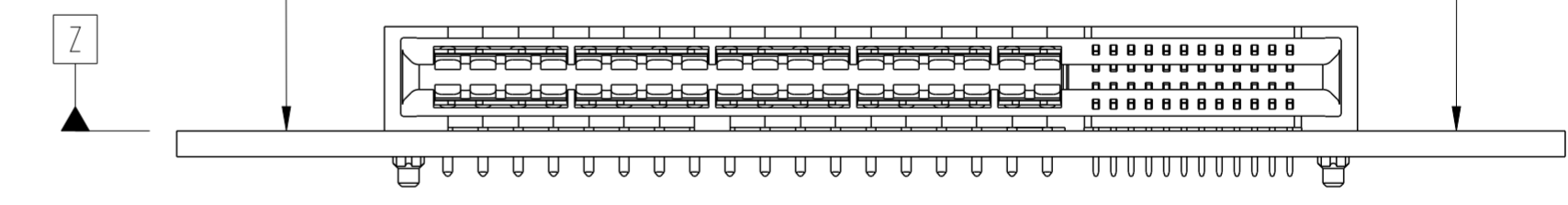




|                                       |            |             |                |            |                        |              |           |                |        |     |   |                    |          |
|---------------------------------------|------------|-------------|----------------|------------|------------------------|--------------|-----------|----------------|--------|-----|---|--------------------|----------|
| spec ref                              | -          | dr          | Chris Gieski   | 2010/08/27 | projection             | MM           | size      | A2             | scale  | 4:1 |   |                    |          |
| tolerance std                         | ASME Y14.5 | eng         | De-Ming Lu     | 2014/06/05 |                        |              | ecn no    | ELX-DG-17838-1 |        |     |   |                    |          |
| TOLERANCES UNLESS OTHERWISE SPECIFIED |            | chr         | -              | rel level  |                        |              | Released  |                |        |     |   |                    |          |
| surface                               | linear     | appr        | Pei-Ming Zheng | 2014/06/05 | product family         | HPCE         | rel level | Blue           |        |     |   |                    |          |
| ASME Y14.5                            | angular    | 0°          | ±0°            | 0.X        | ±0.3                   | 0.XX         | ±0.10     | 0.XXX          | ±0.050 |     | title<br>R/A RECT (36P-24S)<br>HIGH POWER CARD EDGE | dwg no<br>10115859 | rev<br>D |
|                                       |            | www.fci.com | cat. no.       | -          | Product - Customer Drw | sheet 1 of 4 |           |                |        |     |   |                    |          |



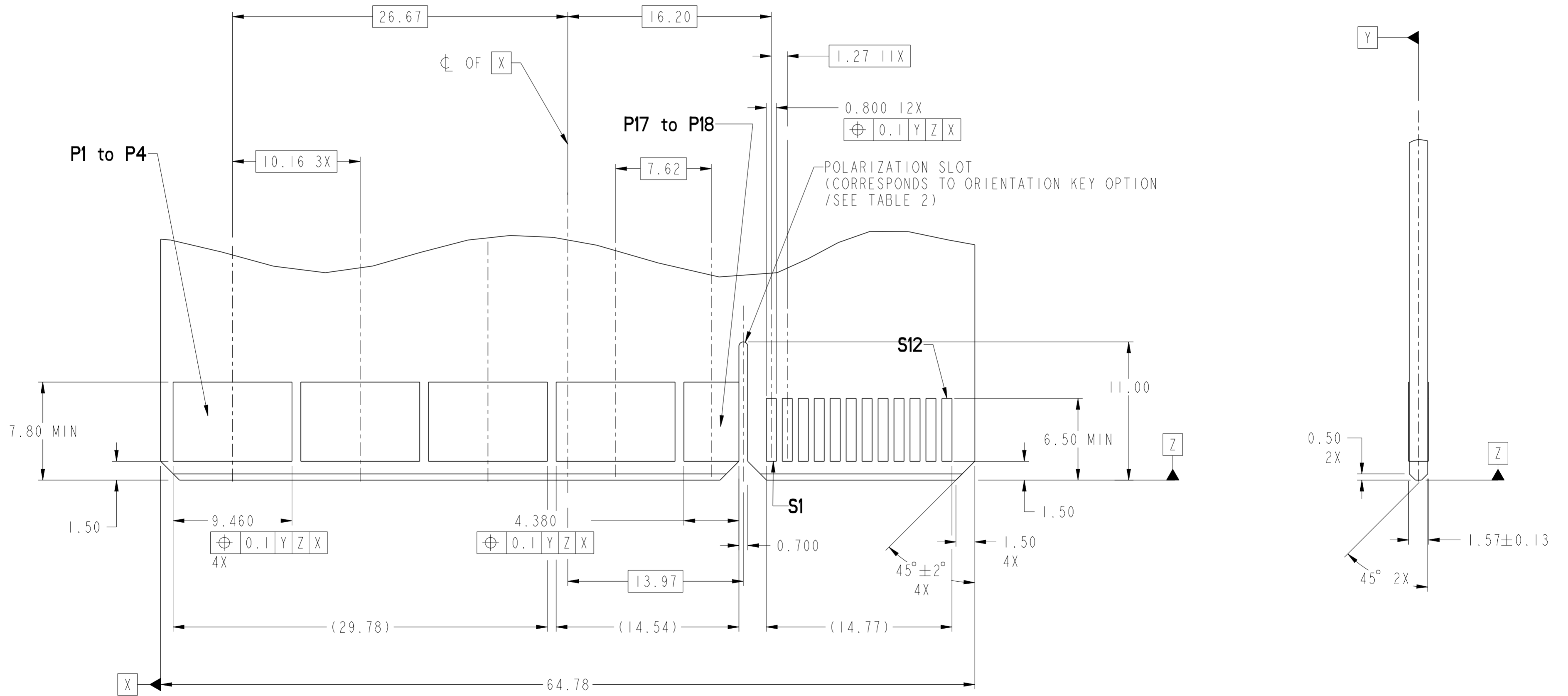
**RECOMMENDED PCB LAYOUT  
VIEWED FROM CONNECTOR SIDE**



**DETAIL K  
SCALE 8:1**

|                                       |            |          |                |                |                |                        |           |                |           |          |
|---------------------------------------|------------|----------|----------------|----------------|----------------|------------------------|-----------|----------------|-----------|----------|
| spec ref                              | -          | dr       | Chris Gieski   | 2010/08/27     | projection     | MM                     | size      | A2             | scale     | 4:1      |
| tolerance std                         | ASME Y14.5 | eng      | De-Ming Lu     | 2014/06/05     |                |                        | ecn no    | ELX-DG-17838-1 | rel level | Released |
| TOLERANCES UNLESS OTHERWISE SPECIFIED |            | chr      | -              | product family |                |                        |           |                |           |          |
| surface                               | ✓          | appr     | Pei-Ming Zheng | 2014/06/05     | product family | HPCE                   | rel level | Released       | rev       | D        |
| ASME Y14.5                            | linear     | 0.X      | ±0.3           | 0.XX           | ±0.10          | 0.XXX                  | ±0.050    | angular        | 0°        | ±°       |
| www.fci.com                           |            | cat. no. |                | -              |                | Product - Customer Drw |           | sheet 2 of 4   |           |          |

| CONTACT TYPE   | TOP LAYER DESCRIPTION | TABLE 1 (HPCE / SOLDER TAILS)<br>PLATED THROUGH-HOLE REQUIREMENTS |                  |                    |               |                        |
|----------------|-----------------------|---|------------------|--------------------|---------------|------------------------|
|                |                       | DRILLED HOLE DIAMETER   | COPPER THICKNESS | TIN-LEAD THICKNESS | TIN THICKNESS | FINISHED HOLE DIAMETER |
| POWER & SIGNAL | TIN-LEAD              | 1.10-1.16 (1.15 DRILL)  | 0.025 - 0.050    | 0.005 - 0.015      | --            | 0.94 - 1.10            |
|                | IMMERSION TIN         | 1.10-1.16 (1.15 DRILL)  | 0.025 - 0.050    | --                 | 0.9 - 1.5um   | 0.94 - 1.10            |
|                | COPPER (SEE NOTE 8)   | 1.10-1.16 (1.15 DRILL)  | 0.025 - 0.050    | --                 | --            | 0.94 - 1.10            |



### RECOMMENDED MATING BOARD FOOTPRINT

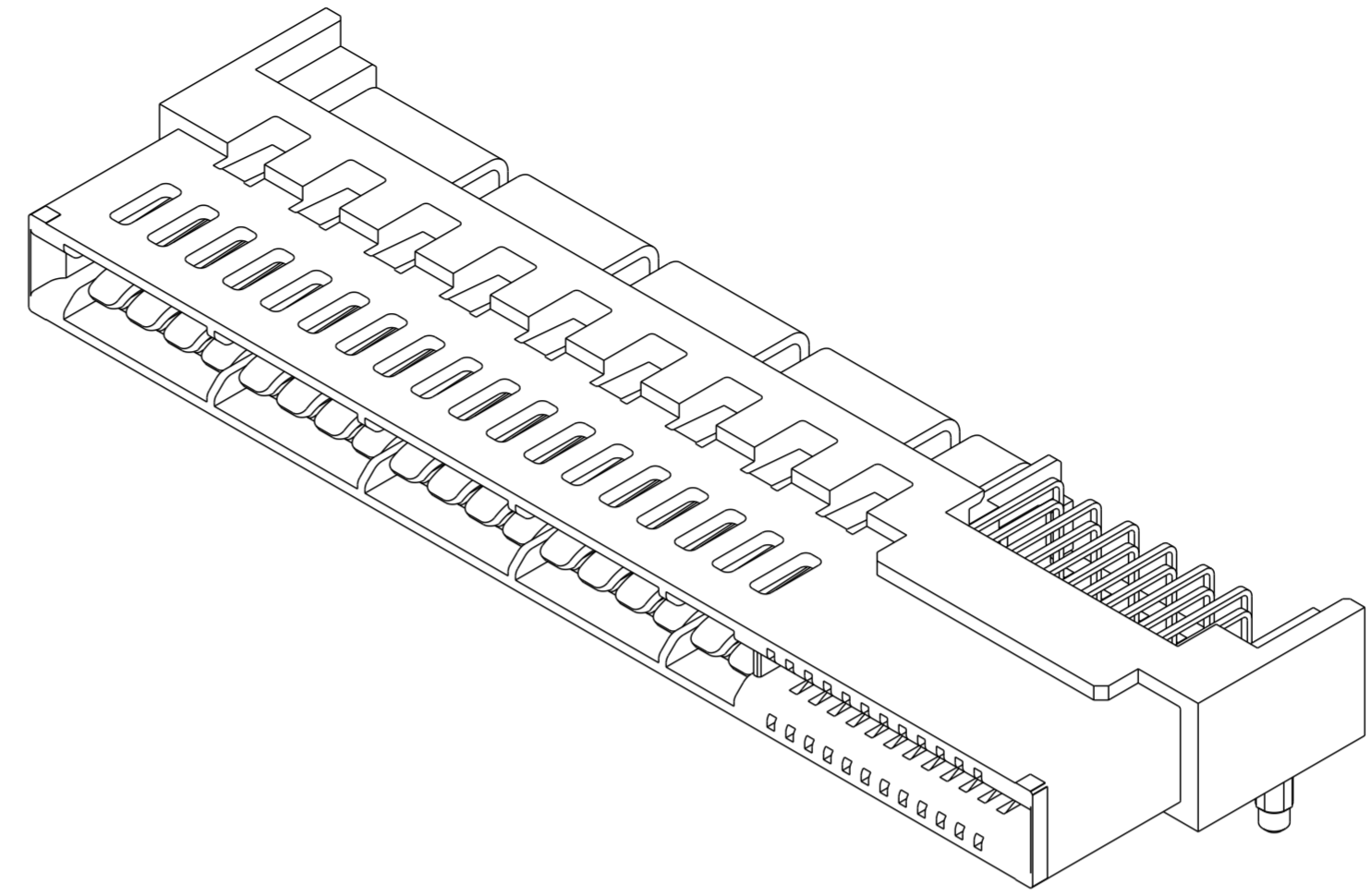
|               |            |      |                |             |                |      |                        |                |           |          |
|---------------|------------|------|----------------|-------------|----------------|------|------------------------|----------------|-----------|----------|
| spec ref      | -          | dr   | Chris Gieski   | 2010/08/27  | projection     | MM   | size                   | A2             | scale     | 4:1      |
| tolerance std | ASME Y14.5 | eng  | De-Ming Lu     | 2014/06/05  | chr            | -    | ecn no                 | ELX-DG-17838-1 | rel level | Released |
| surface       | linear     | appr | Pei-Ming Zheng | 2014/06/05  | product family | HPCE | dwg no                 | 10115859       | rev       | D        |
| ASME Y14.5    | angular    | 0°   | ±°             | www.fci.com | cat. no.       | -    | Product - Customer Drw | sheet 3 of 4   |           |          |



Copyright FCI.

HPCE PART NUMBER (TABLE 2)

| PART NUMBER                | TAIL TYPE   | HOLD-DOWN OPTION | ORIENTATION KEY | DIM "A" TYPICAL TAIL LENGTH |           |           |
|----------------------------|-------------|------------------|-----------------|-----------------------------|-----------|-----------|
| 10115859-001LF             | SOLDER TAIL | NO               | YES             | 3.25±0.25                   |           |           |
| 10115859-002LF             |             |                  | NO              |                             |           |           |
| 10115859-003LF             |             | YES              | YES             |                             |           |           |
| 10115859-004LF             |             |                  | NO              |                             |           |           |
| 10115859-005LF             |             | NO               | YES             |                             | 4.05±0.25 |           |
| 10115859-006LF             |             |                  | NO              |                             |           |           |
| 10115859-007LF             |             | YES              | YES             |                             |           |           |
| 10115859-008LF             |             |                  | NO              |                             |           |           |
| 10115859-009LF             |             | NO               | YES             | 4.85±0.25                   |           |           |
| 10115859-010LF             |             |                  | NO              |                             |           |           |
| 10115859-011LF             |             | YES              | YES             |                             |           |           |
| 10115859-012LF             |             |                  | NO              |                             |           |           |
| 10115859-013LF $\triangle$ |             | NO               | YES             |                             | YES       | 2.60±0.25 |
| 10115859-014LF $\triangle$ |             |                  |                 |                             | NO        |           |
| 10115859-015LF $\triangle$ |             |                  | YES             | YES                         |           |           |
| 10115859-016LF $\triangle$ |             |                  |                 | NO                          |           |           |



NOTES:

- CONNECTOR MATERIALS:  
HOUSING: HIGH TEMPERATURE THERMAL PLASTIC, BLACK  
UL 94V-0 COMPLIANT  
CONTACTS: HIGH PERFORMANCE COPPER ALLOY.
- CONTACT FINISH REF. GS-12-604 SECTION 5.2.
- PRODUCT SPECIFICATION: GS-12-604.
- APPLICATION SPECIFICATION: GS-20-128.
- PRODUCT MARKING (FCI - PART NUMBER & DATE CODE) ON HOUSING IN AREA SHOWN.
- PACKAGING MEETS FCI SPECIFICATION GS-14-937.
- HOUSING COMPONENT WILL WITHSTAND EXPOSURE TO 260°C PEAK TEMPERATURE FOR 60 SECONDS IN A CONVECTION, INFRA-RED, OR VAPOR PHASE REFLOW OVEN.
- COPPER PLATING THICKNESS IN CENTER OF VIA-HOLE CAN BE NO MORE THAN 0.003 LESS THAN OTHER AREAS.
- ALL HOLE SIZES ARE FINISHED HOLE SIZES.
- MOUNTING HOLES ARE UNPLATED  
 $\varnothing$  2.10 +/- 0.1 FOR SOLDER TAILS
- $\triangle$  A  $\triangle$  SYMBOL WILL BE NEXT TO ANY DIMENSION, VIEW, OR NOTE WHICH HAS BEEN MODIFIED WITH THE CURRENT DRAWING REVISION.

Copyright FCI. FCI

|                                       |            |        |              |            |  |             |                |                |                        |              |
|---------------------------------------|------------|--------|--------------|------------|--|-------------|----------------|----------------|------------------------|--------------|
| spec ref                              | -          | dr     | Chris Gieski | 2010/08/27 | projection                                 | MM          | size           | A2             | scale                  | 4:1          |
| tolerance std                         | ASME Y14.5 | eng    | De-Ming Lu   | 2014/06/05 |  |             | ecn no         | ELX-DG-17838-1 |                        |              |
| TOLERANCES UNLESS OTHERWISE SPECIFIED |            | chr    | -            | appr       |  |             | Pei-Ming Zheng | 2014/06/05     | product family         | HPCE         |
| surface                               | linear     | 0.X    | ±0.3         |            | R/A RECT (36P-24S)<br>HIGH POWER CARD EDGE | www.fci.com | cat. no.       | -              | Product - Customer Drw | sheet 4 of 4 |
|                                       | 0.XX       | ±0.10  | title        |            |  |             | 10115859       |                | rev                    | D            |
|                                       | 0.XXX      | ±0.050 | angular      |            |  |             | 0°             | ±°             |                        |              |

## Looking for pricing, stock, or lifecycle information?

Click below to explore more details on WIN SOURCE:

 [View 10115859-004LF on WIN SOURCE](#)

 [Amphenol FCI Information](#)

## Optimize Your Supply Chain with WIN SOURCE Solutions

-  Global Sourcing Solution
-  Obsolete Management
-  Cost Control Management
-  Shortage Management
-  Alternative Solution
-  Excess Inventory Management