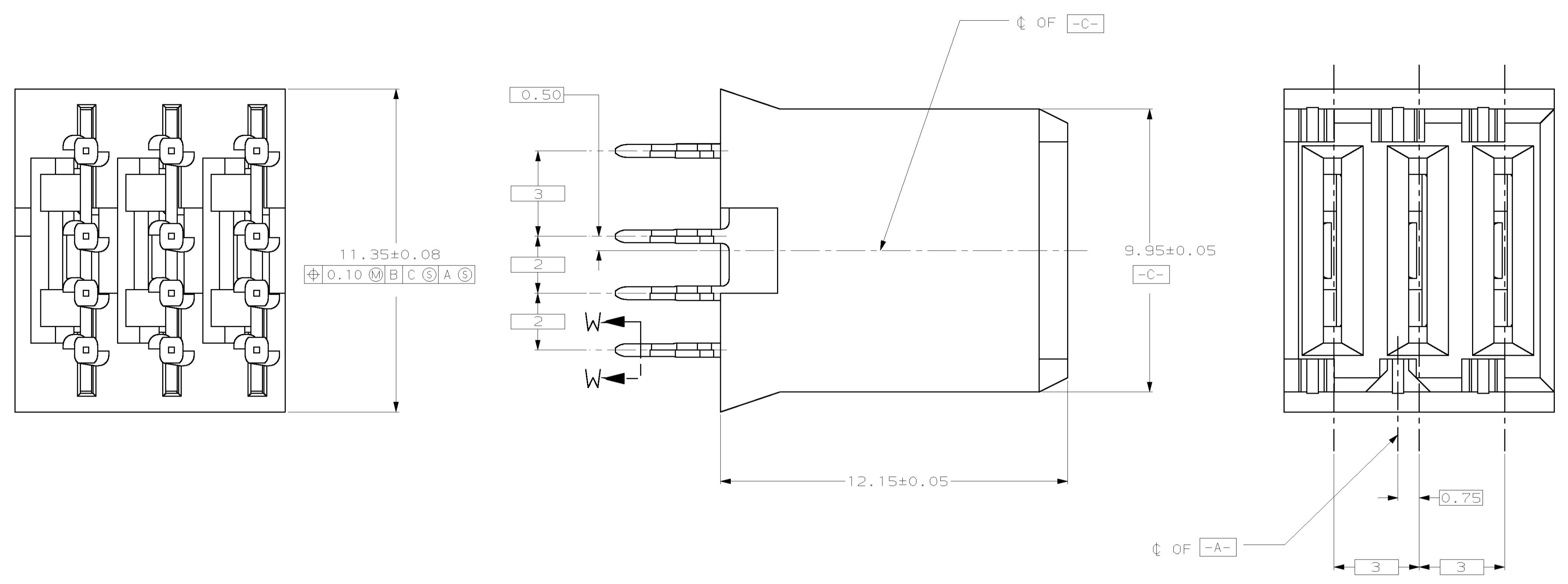




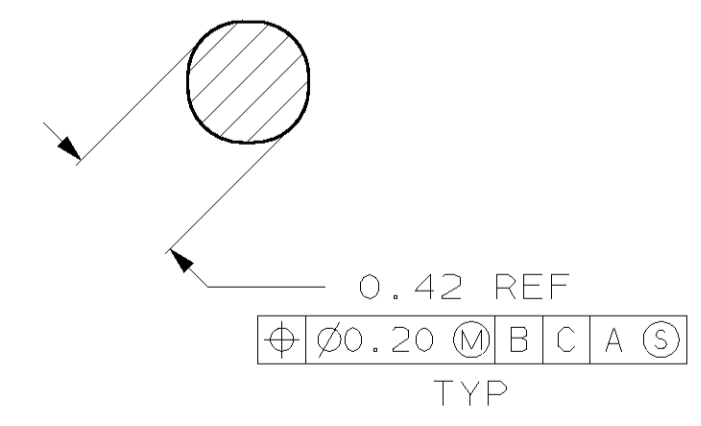
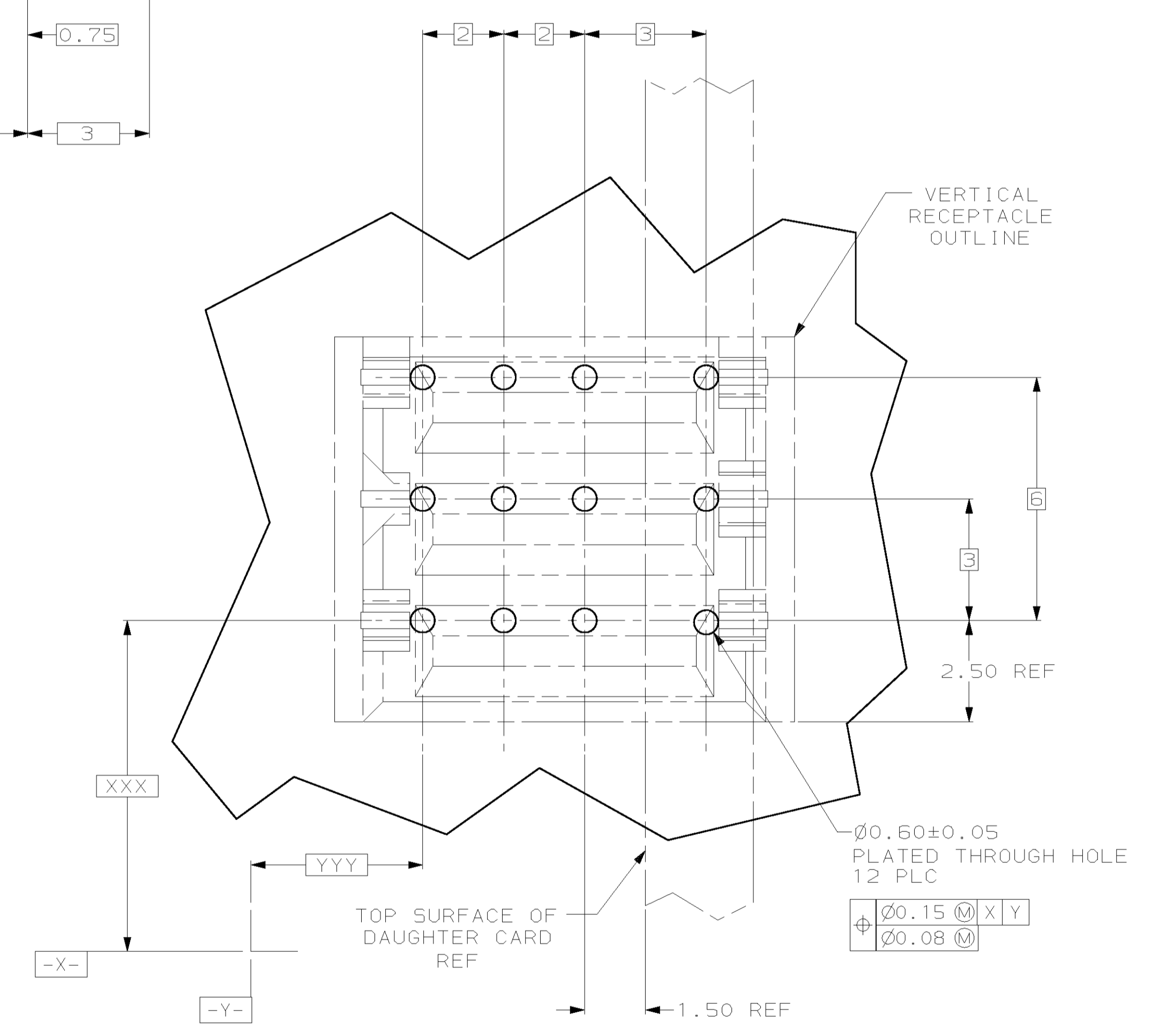
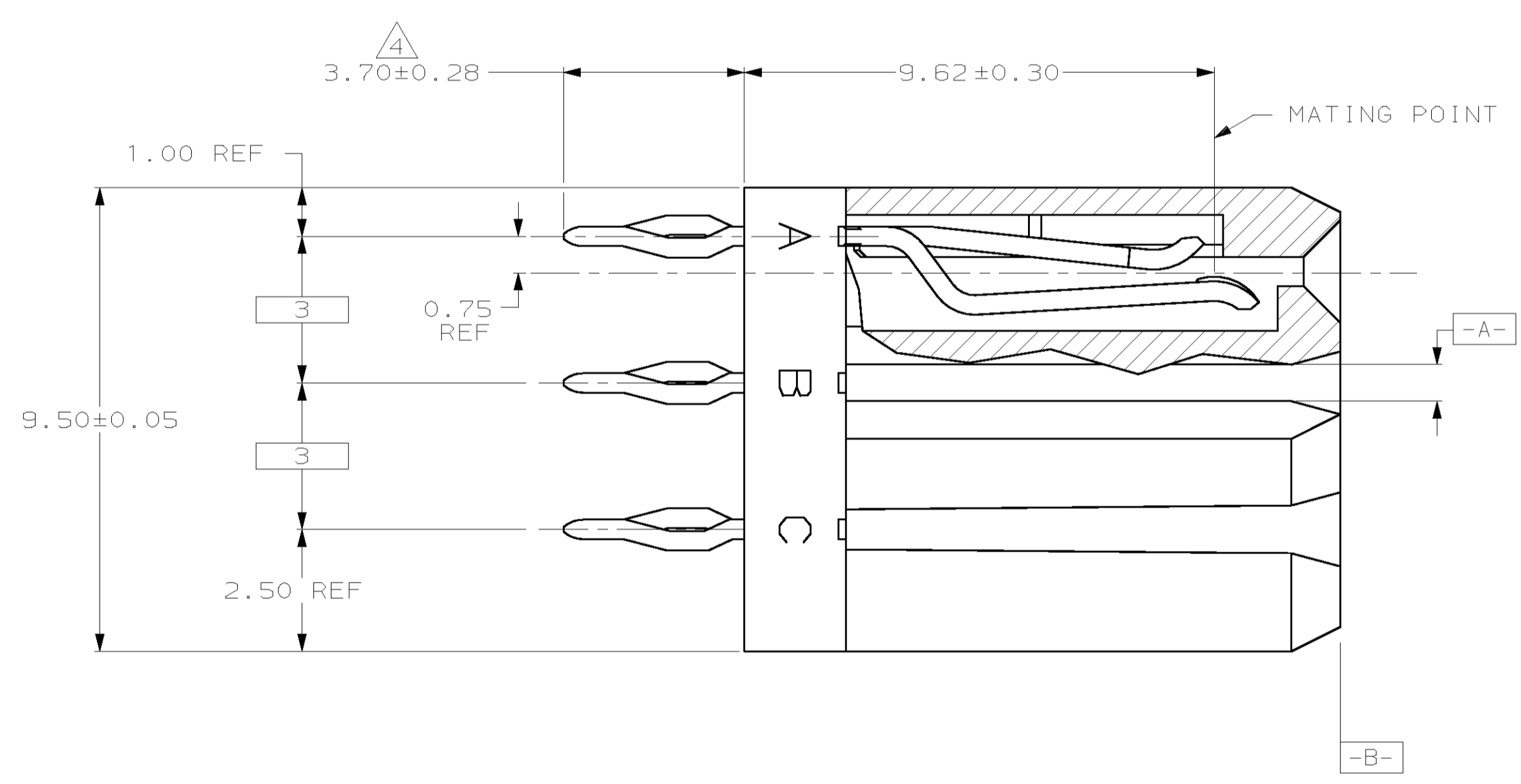
THE DATASHEET OF
223955-2



REVISONS		DATE	BY	APP'D
AD	47		M	
REVISOR		DESCRIPTION	DATE	BY
		REVISED PER 0512-0093-03	19JUN03	DKS RAP



- 1 MATERIAL: HOUSING: POLYESTER. COLOR: GRAY. CONTACT: PHOSPHOR BRONZE.
- 2 FINISH: CONTACT MATING AREA: 1.27µm MIN GOLD PLATE, ACTION PIN AREA: 0.5µm MIN TIN LEAD PLATE, ALL OVER 1.27µm MIN NICKEL UNDERPLATE.
- 3 FINISH: CONTACT LUBRICATION WITH BELLCORE APPROVED LUBRICANT. TECHNICAL REFERENCE: TR-NWT-001217 ISSUE 1, SEPT 1992.
- 4 DIMENSION APPLIES AFTER CONNECTOR IS APPLIED TO P.C. BOARD.
- 5 RESTRICTED PART NUMBER, CONTACT ENGINEERING.
- 6 MATERIAL: HOUSING: POLYESTER. COLOR: GRAY. CONTACT: HIGH CURRENT COPPER ALLOY



SECTION W-W
SCALE 40:1

RECOMMENDED PCB HOLE LAYOUT

1 2 3 6	5-223955-2
1 2 3 5	223955-8
1 2 3	223955-2
MATERIAL & FINISH	PART NUMBER

<small>THIS DRAWING IS UNPUBLISHED. RELEASED FOR PUBLICATION .19. IF IT IS SUBJECT TO CHANGE AND THE CONTROLLING ENGINEER'S SIGNATURE SHOULD BE CONTROLLED FOR THE LATEST REVISION.</small>		DWN: R. BUCHHEISTER 25/JAN/95 CHK: D. ZITSCH 25/JAN/95 APP'D: D. SINISI 25/JAN/95	Tyco Electronics Harrisburg, PA 17105-3508
DIMENSIONS: mm 0 PLC ± 1 PLC ± 2 PLC ±0.13 3 PLC ± 4 PLC ± ANGLES ±	TOLERANCES UNLESS OTHERWISE SPECIFIED: mm 0 PLC ± 1 PLC ± 2 PLC ±0.13 3 PLC ± 4 PLC ± ANGLES ±	PRODUCT SPEC: - APPLICATION SPEC: - WEIGHT: -	Tyco Electronics Electronics ASSEMBLY, VERTICAL RECEPTACLE, UNIVERSAL POWER MODULE SIZE: A1 CASE CODE: 00779 DRAWING NO: C=223955 SCALE: 10:1 SHEET: 1 OF 1 REV: M
SEE TABLE		CUSTOMER DRAWING	

Looking for pricing, stock, or lifecycle information?

Click below to explore more details on WIN SOURCE:

 [View 223955-2 on WIN SOURCE](#)

 [TE Connectivity](#) Information

Optimize Your Supply Chain with WIN SOURCE Solutions

-  Global Sourcing Solution
-  Obsolete Management
-  Cost Control Management
-  Shortage Management
-  Alternative Solution
-  Excess Inventory Management