



**THE DATASHEET OF  
NTS0101GM,115**



# NTS0101

Dual supply translating transceiver; open drain; auto direction sensing

Rev. 5 — 11 August 2014

Product data sheet

## 1. General description

---

The NTS0101 is a 1-bit, dual supply translating transceiver with auto direction sensing, that enables bidirectional voltage level translation. It features two 1-bit input-output ports (A and B), one output enable input (OE) and two supply pins ( $V_{CC(A)}$  and  $V_{CC(B)}$ ).  $V_{CC(A)}$  can be supplied at any voltage between 1.65 V and 3.6 V.  $V_{CC(B)}$  can be supplied at any voltage between 2.3 V and 5.5 V. This flexibility makes the device suitable for translating between any of the voltage nodes (1.8 V, 2.5 V, 3.3 V and 5.0 V). Pins A and OE are referenced to  $V_{CC(A)}$  and pin B is referenced to  $V_{CC(B)}$ . A LOW level at pin OE causes the outputs to assume a high-impedance OFF-state. This device is fully specified for partial power-down applications using  $I_{OFF}$ . The  $I_{OFF}$  circuitry disables the output, preventing the damaging backflow current through the device when it is powered down.

## 2. Features and benefits

---

- Wide supply voltage range:
  - ◆  $V_{CC(A)}$ : 1.65 V to 3.6 V and  $V_{CC(B)}$ : 2.3 V to 5.5 V
- Maximum data rates:
  - ◆ Push-pull: 50 Mbps
- $I_{OFF}$  circuitry provides partial Power-down mode operation
- Inputs accept voltages up to 5.5 V
- ESD protection:
  - ◆ HBM JESD22-A114E Class 2 exceeds 2500 V for A port
  - ◆ HBM JESD22-A114E Class 3B exceeds 8000 V for B port
  - ◆ MM JESD22-A115-A exceeds 200 V
  - ◆ CDM JESD22-C101E exceeds 1500 V
- Latch-up performance exceeds 100 mA per JESD 78B Class II
- Multiple package options
- Specified from  $-40\text{ }^{\circ}\text{C}$  to  $+85\text{ }^{\circ}\text{C}$  and  $-40\text{ }^{\circ}\text{C}$  to  $+125\text{ }^{\circ}\text{C}$

## 3. Applications

---

- I<sup>2</sup>C/SMBus
- UART
- GPIO



## 4. Ordering information

Table 1. Ordering information

Type number	Package			Version
	Temperature range	Name	Description	
NTS0101GW	-40 °C to +125 °C	SC-88	plastic surface-mounted package; 6 leads	SOT363
NTS0101GM	-40 °C to +125 °C	XSON6	plastic extremely thin small outline package; no leads; 6 terminals; body 1 × 1.45 × 0.5 mm	SOT886
NTS0101GF	-40 °C to +125 °C	XSON6	plastic extremely thin small outline package; no leads; 6 terminals; body 1 × 1 × 0.5 mm	SOT891
NTS0101GS	-40 °C to +125 °C	XSON6	extremely thin small outline package; no leads; 6 terminals; body 1.0 × 1.0 × 0.35 mm	SOT1202

## 5. Marking

Table 2. Marking

Type number	Marking code <sup>[1]</sup>
NTS0101GW	s1
NTS0101GM	s1
NTS0101GF	s1
NTS0101GS	s1

[1] The pin 1 indicator is on the lower left corner of the device, below the marking code.

## 6. Functional diagram

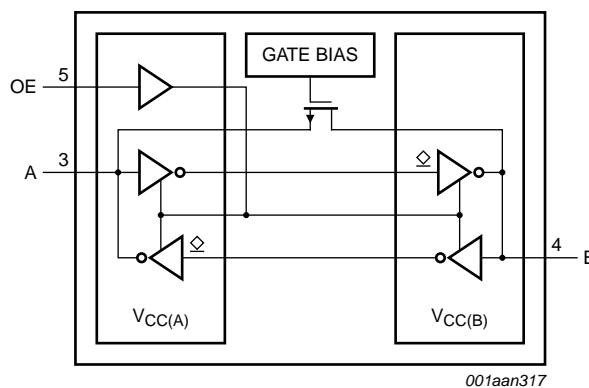
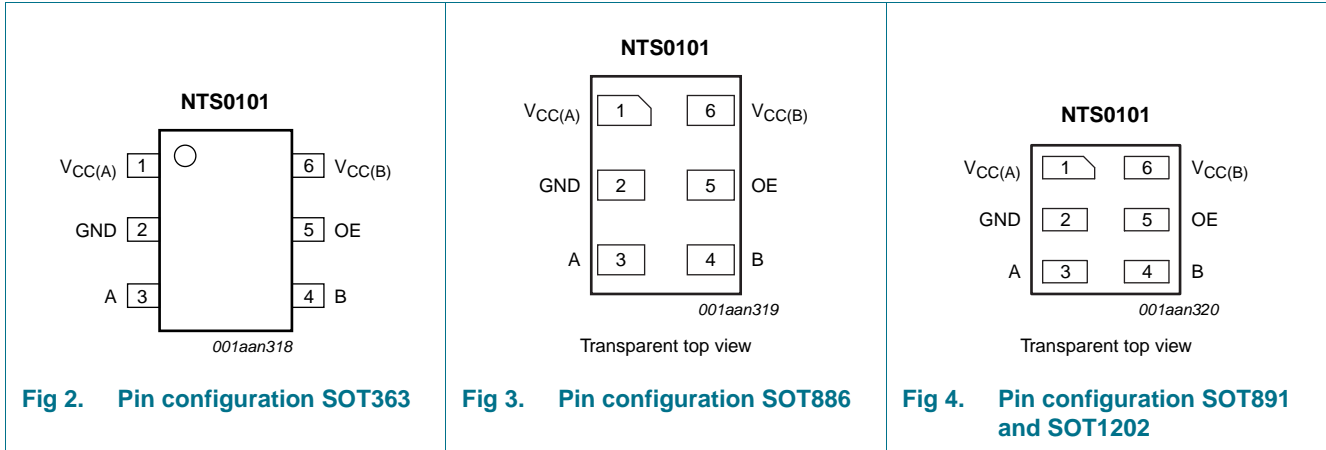


Fig 1. Logic symbol

## 7. Pinning information

### 7.1 Pinning



### 7.2 Pin description

Table 3. Pin description

Symbol	Pin	Description
$V_{CC(A)}$	1	supply voltage A
GND	2	ground (0 V)
A	3	data input or output (referenced to $V_{CC(A)}$ )
B	4	data input or output (referenced to $V_{CC(B)}$ )
OE	5	output enable input (active HIGH; referenced to $V_{CC(A)}$ )
$V_{CC(B)}$	6	supply voltage B

## 8. Functional description

Table 4. Function table<sup>[1]</sup>

Supply voltage		Input	Input/output	
$V_{CC(A)}$	$V_{CC(B)}$	OE	A	B
1.65 V to $V_{CC(B)}$	2.3 V to 5.5 V	L	Z	Z
1.65 V to $V_{CC(B)}$	2.3 V to 5.5 V	H	input or output	output or input
GND <sup>[2]</sup>	GND <sup>[2]</sup>	X	Z	Z

[1] H = HIGH voltage level; L = LOW voltage level; X = don't care; Z = high-impedance OFF-state.

[2] When either  $V_{CC(A)}$  or  $V_{CC(B)}$  is at GND level, the device goes into power-down mode.

## 9. Limiting values

**Table 5. Limiting values**

In accordance with the Absolute Maximum Rating System (IEC 60134). Voltages are referenced to GND (ground = 0 V).

Symbol	Parameter	Conditions	Min	Max	Unit
$V_{CC(A)}$	supply voltage A		-0.5	+6.5	V
$V_{CC(B)}$	supply voltage B		-0.5	+6.5	V
$V_I$	input voltage	A port and OE input <a href="#">[1][2]</a>	-0.5	+6.5	V
		B port <a href="#">[1][2]</a>	-0.5	+6.5	V
$V_O$	output voltage	Active mode <a href="#">[1][2]</a>			
		A or B port	-0.5	$V_{CCO} + 0.5$	V
		Power-down or 3-state mode <a href="#">[1]</a>			
		A port	-0.5	+4.6	V
	B port	-0.5	+6.5	V	
$I_{IK}$	input clamping current	$V_I < 0$ V	-50	-	mA
$I_{OK}$	output clamping current	$V_O < 0$ V	-50	-	mA
$I_O$	output current	$V_O = 0$ V to $V_{CCO}$ <a href="#">[2]</a>	-	$\pm 50$	mA
$I_{CC}$	supply current	$I_{CC(A)}$ or $I_{CC(B)}$	-	100	mA
$I_{GND}$	ground current		-100	-	mA
$T_{stg}$	storage temperature		-65	+150	°C
$P_{tot}$	total power dissipation	$T_{amb} = -40$ °C to +125 °C <a href="#">[3]</a>	-	250	mW

[1] The minimum input and minimum output voltage ratings may be exceeded if the input and output current ratings are observed.

[2]  $V_{CCO}$  is the supply voltage associated with the output.

[3] For SC-88 and SC-74A packages: above 87.5 °C the value of  $P_{tot}$  derates linearly with 4.0 mW/K.  
For XSON6 packages: above 118 °C the value of  $P_{tot}$  derates linearly with 7.8 mW/K.

## 10. Recommended operating conditions

**Table 6. Recommended operating conditions**[\[1\]\[2\]](#)

Symbol	Parameter	Conditions	Min	Max	Unit
$V_{CC(A)}$	supply voltage A		1.65	3.6	V
$V_{CC(B)}$	supply voltage B		2.3	5.5	V
$T_{amb}$	ambient temperature		-40	+125	°C
$\Delta t/\Delta V$	input transition rise and fall rate	A or B port; push-pull driving			
		$V_{CC(A)} = 1.65$ V to 3.6 V; $V_{CC(B)} = 2.3$ V to 5.5 V	-	10	ns/V
		OE input			
		$V_{CC(A)} = 1.65$ V to 3.6 V; $V_{CC(B)} = 2.3$ V to 5.5 V	-	10	ns/V

[1] The A and B sides of an unused I/O pair must be held in the same state, both at  $V_{CC1}$  or both at GND.

[2]  $V_{CC(A)}$  must be less than or equal to  $V_{CC(B)}$ .

## 11. Static characteristics

**Table 7. Typical static characteristics**

At recommended operating conditions; voltages are referenced to GND (ground = 0 V);  $T_{amb} = 25\text{ }^{\circ}\text{C}$ .

Symbol	Parameter	Conditions	Min	Typ	Max	Unit
$I_I$	input leakage current	OE input; $V_I = 0\text{ V to }3.6\text{ V}$ ; $V_{CC(A)} = 1.65\text{ V to }3.6\text{ V}$ ; $V_{CC(B)} = 2.3\text{ V to }5.5\text{ V}$	-	-	$\pm 1$	$\mu\text{A}$
$I_{OZ}$	OFF-state output current	A or B port; $V_O = 0\text{ V or }V_{CCO}$ ; $V_{CC(A)} = 1.65\text{ V to }3.6\text{ V}$ ; $V_{CC(B)} = 2.3\text{ V to }5.5\text{ V}$ [1]	-	-	$\pm 1$	$\mu\text{A}$
$I_{OFF}$	power-off leakage current	A port; $V_I$ or $V_O = 0\text{ V to }3.6\text{ V}$ ; $V_{CC(A)} = 0\text{ V}$ ; $V_{CC(B)} = 0\text{ V to }5.5\text{ V}$	-	-	$\pm 1$	$\mu\text{A}$
		B port; $V_I$ or $V_O = 0\text{ V to }5.5\text{ V}$ ; $V_{CC(B)} = 0\text{ V}$ ; $V_{CC(A)} = 0\text{ V to }3.6\text{ V}$	-	-	$\pm 1$	$\mu\text{A}$
$C_I$	input capacitance	OE input; $V_{CC(A)} = 3.3\text{ V}$ ; $V_{CC(B)} = 3.3\text{ V}$	-	1	-	pF
$C_{I/O}$	input/output capacitance	A port	-	4	-	pF
		B port	-	7.5	-	pF
		A or B port; $V_{CC(A)} = 3.3\text{ V}$ ; $V_{CC(B)} = 3.3\text{ V}$	-	11	-	pF

[1]  $V_{CCO}$  is the supply voltage associated with the output.

**Table 8. Typical supply current**

At recommended operating conditions; voltages are referenced to GND (ground = 0 V);  $T_{amb} = 25\text{ }^{\circ}\text{C}$ .

$V_{CC(A)}$	$V_{CC(B)}$						Unit
	2.5 V		3.3 V		5.0 V		
	$I_{CC(A)}$	$I_{CC(B)}$	$I_{CC(A)}$	$I_{CC(B)}$	$I_{CC(A)}$	$I_{CC(B)}$	
1.8 V	0.1	0.5	0.1	1.5	0.1	4.6	$\mu\text{A}$
2.5 V	0.1	0.1	0.1	0.8	0.1	3.8	$\mu\text{A}$
3.3 V	-	-	0.1	0.1	0.1	2.8	$\mu\text{A}$

**Table 9. Static characteristics**

At recommended operating conditions; voltages are referenced to GND (ground = 0 V).

Symbol	Parameter	Conditions	$-40\text{ }^{\circ}\text{C to }+85\text{ }^{\circ}\text{C}$		$-40\text{ }^{\circ}\text{C to }+125\text{ }^{\circ}\text{C}$		Unit
			Min	Max	Min	Max	
$V_{IH}$	HIGH-level input voltage	A port					
		$V_{CC(A)} = 1.65\text{ V to }1.95\text{ V}$ ; $V_{CC(B)} = 2.3\text{ V to }5.5\text{ V}$ [1]	$V_{CCI} - 0.2$	-	$V_{CCI} - 0.2$	-	V
		$V_{CC(A)} = 2.3\text{ V to }3.6\text{ V}$ ; $V_{CC(B)} = 2.3\text{ V to }5.5\text{ V}$ [1]	$V_{CCI} - 0.4$	-	$V_{CCI} - 0.4$	-	V
		B port					
		$V_{CC(A)} = 1.65\text{ V to }3.6\text{ V}$ ; $V_{CC(B)} = 2.3\text{ V to }5.5\text{ V}$ [1]	$V_{CCI} - 0.4$	-	$V_{CCI} - 0.4$	-	V
		OE input					
		$V_{CC(A)} = 1.65\text{ V to }3.6\text{ V}$ ; $V_{CC(B)} = 2.3\text{ V to }5.5\text{ V}$	$0.65V_{CC(A)}$	-	$0.65V_{CC(A)}$	-	V

Dual supply translating transceiver; open drain; auto direction sensing

**Table 9. Static characteristics ...continued**

At recommended operating conditions; voltages are referenced to GND (ground = 0 V).

Symbol	Parameter	Conditions	-40 °C to +85 °C		-40 °C to +125 °C		Unit
			Min	Max	Min	Max	
V <sub>IL</sub>	LOW-level input voltage	A or B port V <sub>CC(A)</sub> = 1.65 V to 3.6 V; V <sub>CC(B)</sub> = 2.3 V to 5.5 V	-	0.15	-	0.15	V
		OE input V <sub>CC(A)</sub> = 1.65 V to 3.6 V; V <sub>CC(B)</sub> = 2.3 V to 5.5 V	-	0.35V <sub>CC(A)</sub>	-	0.35V <sub>CC(A)</sub>	V
V <sub>OH</sub>	HIGH-level output voltage	I <sub>O</sub> = -20 μA V <sub>CC(A)</sub> = 1.65 V to 3.6 V; [2] V <sub>CC(B)</sub> = 2.3 V to 5.5 V	0.67V <sub>CCO</sub>	-	0.67V <sub>CCO</sub>	-	V
V <sub>OL</sub>	LOW-level output voltage	A or B port; I <sub>O</sub> = 1 mA [2] V <sub>I</sub> ≤ 0.15 V; V <sub>CC(A)</sub> = 1.65 V to 3.6 V; V <sub>CC(B)</sub> = 2.3 V to 5.5 V	-	0.4	-	0.4	V
I <sub>I</sub>	input leakage current	OE input; V <sub>I</sub> = 0 V to 3.6 V; V <sub>CC(A)</sub> = 1.65 V to 3.6 V; V <sub>CC(B)</sub> = 2.3 V to 5.5 V	-	±2	-	±12	μA
I <sub>OZ</sub>	OFF-state output current	A or B port; V <sub>O</sub> = 0 V or V <sub>CCO</sub> ; [2] V <sub>CC(A)</sub> = 1.65 V to 3.6 V; V <sub>CC(B)</sub> = 2.3 V to 5.5 V	-	±2	-	±12	μA
I <sub>OFF</sub>	power-off leakage current	A port; V <sub>I</sub> or V <sub>O</sub> = 0 V to 3.6 V; V <sub>CC(A)</sub> = 0 V; V <sub>CC(B)</sub> = 0 V to 5.5 V	-	±2	-	±12	μA
		B port; V <sub>I</sub> or V <sub>O</sub> = 0 V to 3.6 V; V <sub>CC(B)</sub> = 0 V; V <sub>CC(A)</sub> = 0 V to 3.6 V	-	±2	-	±12	μA
I <sub>CC</sub>	supply current	V <sub>I</sub> = 0 V or V <sub>CCI</sub> ; I <sub>O</sub> = 0 A [1]					
		I <sub>CC(A)</sub>					
		V <sub>CC(A)</sub> = 1.65 V to 3.6 V; V <sub>CC(B)</sub> = 2.3 V to 5.5 V	-	2.4	-	15	μA
		V <sub>CC(A)</sub> = 3.6 V; V <sub>CC(B)</sub> = 0 V	-	2.2	-	15	μA
		V <sub>CC(A)</sub> = 0 V; V <sub>CC(B)</sub> = 5.5 V	-	-1	-	-8	μA
		I <sub>CC(B)</sub>					
		V <sub>CC(A)</sub> = 1.65 V to 3.6 V; V <sub>CC(B)</sub> = 2.3 V to 5.5 V	-	12	-	30	μA
		V <sub>CC(A)</sub> = 3.6 V; V <sub>CC(B)</sub> = 0 V	-	-1	-	-5	μA
		V <sub>CC(A)</sub> = 0 V; V <sub>CC(B)</sub> = 5.5 V	-	1	-	6	μA
I <sub>CC(A)</sub> + I <sub>CC(B)</sub>							
V <sub>CC(A)</sub> = 1.65 V to 3.6 V; V <sub>CC(B)</sub> = 2.3 V to 5.5 V	-	14.4	-	30	μA		

[1] V<sub>CCI</sub> is the supply voltage associated with the input.

[2] V<sub>CCO</sub> is the supply voltage associated with the output.

## 12. Dynamic characteristics

**Table 10. Dynamic characteristics for temperature range  $-40\text{ }^{\circ}\text{C}$  to  $+85\text{ }^{\circ}\text{C}$**

Voltages are referenced to GND (ground = 0 V); for test circuit, see [Figure 7](#); for wave forms, see [Figure 5](#) and [Figure 6](#).

Symbol	Parameter	Conditions	$V_{CC(B)}$						Unit
			$2.5\text{ V} \pm 0.2\text{ V}$		$3.3\text{ V} \pm 0.3\text{ V}$		$5.0\text{ V} \pm 0.5\text{ V}$		
			Min	Max	Min	Max	Min	Max	
<b><math>V_{CC(A)} = 1.8\text{ V} \pm 0.15\text{ V}</math></b>									
$t_{PHL}$	HIGH to LOW propagation delay	A to B	-	4.6	-	4.7	-	5.8	ns
$t_{PLH}$	LOW to HIGH propagation delay	A to B	-	6.8	-	6.8	-	7.0	ns
$t_{PHL}$	HIGH to LOW propagation delay	B to A	-	4.4	-	4.5	-	4.7	ns
$t_{PLH}$	LOW to HIGH propagation delay	B to A	-	5.3	-	4.5	-	0.5	ns
$t_{en}$	enable time	OE to A; B	-	200	-	200	-	200	ns
$t_{dis}$	disable time	OE to A; no external load <a href="#">[2]</a>	-	25	-	25	-	25	ns
		OE to B; no external load <a href="#">[2]</a>	-	25	-	25	-	25	ns
		OE to A	-	230	-	230	-	230	ns
		OE to B	-	200	-	200	-	200	ns
$t_{TLH}$	LOW to HIGH output transition time	A port	3.2	9.5	2.3	9.3	1.8	7.6	ns
		B port	3.3	10.8	2.7	9.1	2.7	7.6	ns
$t_{THL}$	HIGH to LOW output transition time	A port	2.0	5.9	1.9	6.0	1.7	13.3	ns
		B port	2.9	7.6	2.8	7.5	2.8	10.0	ns
$t_W$	pulse width	data inputs	20	-	20	-	20	-	ns
$f_{data}$	data rate		-	50	-	50	-	50	Mbps
<b><math>V_{CC(A)} = 2.5\text{ V} \pm 0.2\text{ V}</math></b>									
$t_{PHL}$	HIGH to LOW propagation delay	A to B	-	3.2	-	3.3	-	3.4	ns
$t_{PLH}$	LOW to HIGH propagation delay	A to B	-	3.5	-	4.1	-	4.4	ns
$t_{PHL}$	HIGH to LOW propagation delay	B to A	-	3.0	-	3.6	-	4.3	ns
$t_{PLH}$	LOW to HIGH propagation delay	B to A	-	2.5	-	1.6	-	0.7	ns
$t_{en}$	enable time	OE to A; B	-	200	-	200	-	200	ns
$t_{dis}$	disable time	OE to A; no external load <a href="#">[2]</a>	-	20	-	20	-	20	ns
		OE to B; no external load <a href="#">[2]</a>	-	20	-	20	-	20	ns
		OE to A	-	200	-	200	-	200	ns
		OE to B	-	200	-	200	-	200	ns
$t_{TLH}$	LOW to HIGH output transition time	A port	2.8	7.4	2.6	6.6	1.8	6.2	ns
		B port	3.2	8.3	2.9	7.9	2.4	6.8	ns

**Table 10. Dynamic characteristics for temperature range  $-40\text{ }^{\circ}\text{C}$  to  $+85\text{ }^{\circ}\text{C}$ <sup>[1]</sup> ...continued**

Voltages are referenced to GND (ground = 0 V); for test circuit, see [Figure 7](#); for wave forms, see [Figure 5](#) and [Figure 6](#).

Symbol	Parameter	Conditions	$V_{CC(B)}$						Unit
			$2.5\text{ V} \pm 0.2\text{ V}$		$3.3\text{ V} \pm 0.3\text{ V}$		$5.0\text{ V} \pm 0.5\text{ V}$		
			Min	Max	Min	Max	Min	Max	
$t_{THL}$	HIGH to LOW output transition time	A port	1.9	5.7	1.9	5.5	1.8	5.3	ns
		B port	2.2	7.8	2.4	6.7	2.6	6.6	ns
$t_W$	pulse width	data inputs	20	-	20	-	20	-	ns
$f_{data}$	data rate		-	50	-	50	-	50	Mbps
<b><math>V_{CC(A)} = 3.3\text{ V} \pm 0.3\text{ V}</math></b>									
$t_{PHL}$	HIGH to LOW propagation delay	A to B	-	-	-	2.4	-	3.1	ns
$t_{PLH}$	LOW to HIGH propagation delay	A to B	-	-	-	4.2	-	4.4	ns
$t_{PHL}$	HIGH to LOW propagation delay	B to A	-	-	-	2.5	-	3.3	ns
$t_{PLH}$	LOW to HIGH propagation delay	B to A	-	-	-	2.5	-	2.6	ns
$t_{en}$	enable time	OE to A; B	-	-	-	200	-	200	ns
$t_{dis}$	disable time	OE to A; no external load <sup>[2]</sup>	-	-	-	15	-	15	ns
		OE to B; no external load <sup>[2]</sup>	-	-	-	15	-	15	ns
		OE to A	-	-	-	260	-	260	ns
		OE to B	-	-	-	200	-	200	ns
$t_{TLH}$	LOW to HIGH output transition time	A port	-	-	2.3	5.6	1.9	5.9	ns
		B port	-	-	2.5	6.4	2.1	7.4	ns
$t_{THL}$	HIGH to LOW output transition time	A port	-	-	2.0	5.4	1.9	5.0	ns
		B port	-	-	2.3	7.4	2.4	7.6	ns
$t_W$	pulse width	data inputs	-	-	20	-	20	-	ns
$f_{data}$	data rate		-	-	-	50	-	50	Mbps

[1]  $t_{en}$  is the same as  $t_{PZL}$  and  $t_{PZH}$ .

$t_{dis}$  is the same as  $t_{PLZ}$  and  $t_{PHZ}$ .

[2] Delay between OE going LOW and when the outputs are disabled.

Dual supply translating transceiver; open drain; auto direction sensing

**Table 11. Dynamic characteristics for temperature range –40 °C to +125 °C<sup>[1]</sup>**

Voltages are referenced to GND (ground = 0 V); for test circuit, see [Figure 7](#); for wave forms, see [Figure 5](#) and [Figure 6](#).

Symbol	Parameter	Conditions	V <sub>CC(B)</sub>						Unit
			2.5 V ± 0.2 V		3.3 V ± 0.3 V		5.0 V ± 0.5 V		
			Min	Max	Min	Max	Min	Max	
<b>V<sub>CC(A)</sub> = 1.8 V ± 0.15 V</b>									
t <sub>PHL</sub>	HIGH to LOW propagation delay	A to B	-	5.8	-	5.9	-	7.3	ns
t <sub>PLH</sub>	LOW to HIGH propagation delay	A to B	-	8.5	-	8.5	-	8.8	ns
t <sub>PHL</sub>	HIGH to LOW propagation delay	B to A	-	5.5	-	5.7	-	5.9	ns
t <sub>PLH</sub>	LOW to HIGH propagation delay	B to A	-	6.7	-	5.7	-	0.7	ns
t <sub>en</sub>	enable time	OE to A; B	-	200	-	200	-	200	ns
t <sub>dis</sub>	disable time	OE to A; no external load <sup>[2]</sup>	-	30	-	30	-	30	ns
		OE to B; no external load <sup>[2]</sup>	-	30	-	30	-	30	ns
		OE to A	-	250	-	250	-	250	ns
		OE to B	-	220	-	220	-	220	ns
t <sub>TLH</sub>	LOW to HIGH output transition time	A port	3.2	11.9	2.3	11.7	1.8	9.5	ns
		B port	3.3	13.5	2.7	11.4	2.7	9.5	ns
t <sub>THL</sub>	HIGH to LOW output transition time	A port	2.0	7.4	1.9	7.5	1.7	16.7	ns
		B port	2.9	9.5	2.8	9.4	2.8	12.5	ns
t <sub>w</sub>	pulse width	data inputs	20	-	20	-	20	-	ns
f <sub>data</sub>	data rate		-	50	-	50	-	50	Mbps
<b>V<sub>CC(A)</sub> = 2.5 V ± 0.2 V</b>									
t <sub>PHL</sub>	HIGH to LOW propagation delay	A to B	-	4.0	-	4.2	-	4.3	ns
t <sub>PLH</sub>	LOW to HIGH propagation delay	A to B	-	4.4	-	5.2	-	5.5	ns
t <sub>PHL</sub>	HIGH to LOW propagation delay	B to A	-	3.8	-	4.5	-	5.4	ns
t <sub>PLH</sub>	LOW to HIGH propagation delay	B to A	-	3.2	-	2.0	-	0.9	ns
t <sub>en</sub>	enable time	OE to A; B	-	200	-	200	-	200	ns
t <sub>dis</sub>	disable time	OE to A; no external load <sup>[2]</sup>	-	25	-	25	-	25	ns
		OE to B; no external load <sup>[2]</sup>	-	25	-	25	-	25	ns
		OE to A	-	220	-	220	-	220	ns
		OE to B	-	220	-	220	-	220	ns
t <sub>TLH</sub>	LOW to HIGH output transition time	A port	2.8	9.3	2.6	8.3	1.8	7.8	ns
		B port	3.2	10.4	2.9	9.7	2.4	8.3	ns
t <sub>THL</sub>	HIGH to LOW output transition time	A port	1.9	7.2	1.9	6.9	1.8	6.7	ns
		B port	2.2	9.8	2.4	8.4	2.6	8.3	ns

## Dual supply translating transceiver; open drain; auto direction sensing

**Table 11. Dynamic characteristics for temperature range  $-40\text{ }^{\circ}\text{C}$  to  $+125\text{ }^{\circ}\text{C}$ <sup>[1]</sup> ...continued**

Voltages are referenced to GND (ground = 0 V); for test circuit, see [Figure 7](#); for wave forms, see [Figure 5](#) and [Figure 6](#).

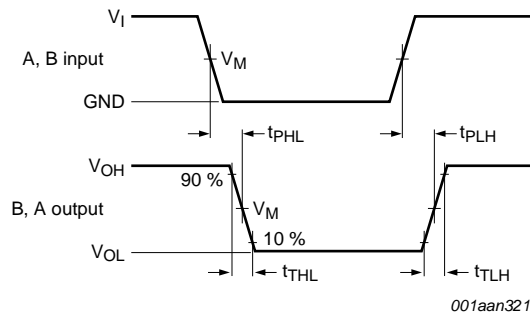
Symbol	Parameter	Conditions	$V_{CC(B)}$						Unit
			$2.5\text{ V} \pm 0.2\text{ V}$		$3.3\text{ V} \pm 0.3\text{ V}$		$5.0\text{ V} \pm 0.5\text{ V}$		
			Min	Max	Min	Max	Min	Max	
$t_W$	pulse width	data inputs	20	-	20	-	20	-	ns
$f_{data}$	data rate		-	50	-	50	-	50	Mbps
<b><math>V_{CC(A)} = 3.3\text{ V} \pm 0.3\text{ V}</math></b>									
$t_{PHL}$	HIGH to LOW propagation delay	A to B	-	-	-	3.0	-	3.9	ns
$t_{PLH}$	LOW to HIGH propagation delay	A to B	-	-	-	5.3	-	5.5	ns
$t_{PHL}$	HIGH to LOW propagation delay	B to A	-	-	-	3.2	-	4.2	ns
$t_{PLH}$	LOW to HIGH propagation delay	B to A	-	-	-	3.2	-	3.3	ns
$t_{en}$	enable time	OE to A; B	-	-	-	200	-	200	ns
$t_{dis}$	disable time	OE to A; no external load <sup>[2]</sup>	-	-	-	20	-	20	ns
		OE to B; no external load <sup>[2]</sup>	-	-	-	20	-	20	ns
		OE to A	-	-	-	280	-	280	ns
		OE to B	-	-	-	220	-	220	ns
$t_{TLH}$	LOW to HIGH output transition time	A port	-	-	2.3	7.0	1.9	7.4	ns
		B port	-	-	2.5	8.0	2.1	9.3	ns
$t_{THL}$	HIGH to LOW output transition time	A port	-	-	2.0	6.8	1.9	6.3	ns
		B port	-	-	2.3	9.3	2.4	9.5	ns
$t_W$	pulse width	data inputs	-	-	20	-	20	-	ns
$f_{data}$	data rate		-	-	-	50	-	50	Mbps

[1]  $t_{en}$  is the same as  $t_{PZL}$  and  $t_{PZH}$ .

$t_{dis}$  is the same as  $t_{PLZ}$  and  $t_{PHZ}$ .

[2] Delay between OE going LOW and when the outputs are disabled.

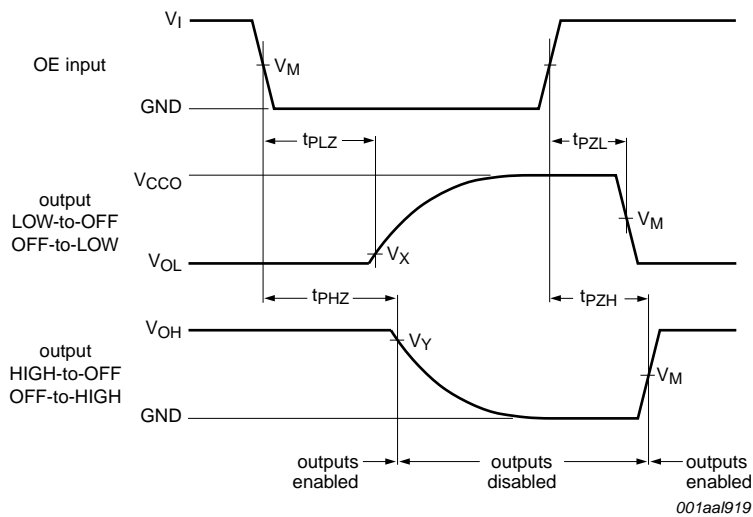
13. Waveforms



Measurement points are given in [Table 12](#).

$V_{OL}$  and  $V_{OH}$  are typical output voltage levels that occur with the output load.

**Fig 5. The data input (A, B) to data output (B, A) propagation delay times**



Measurement points are given in [Table 12](#).

$V_{OL}$  and  $V_{OH}$  are typical output voltage levels that occur with the output load.

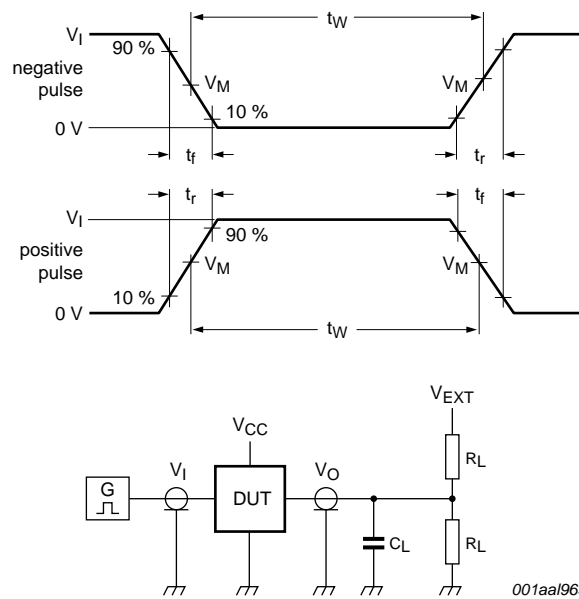
**Fig 6. Enable and disable times**

**Table 12. Measurement points<sup>[1][2]</sup>**

Supply voltage	Input	Output		
$V_{CCO}$	$V_M$	$V_M$	$V_X$	$V_Y$
1.8 V ± 0.15 V	0.5 $V_{CCI}$	0.5 $V_{CCO}$	$V_{OL} + 0.15$ V	$V_{OH} - 0.15$ V
2.5 V ± 0.2 V	0.5 $V_{CCI}$	0.5 $V_{CCO}$	$V_{OL} + 0.15$ V	$V_{OH} - 0.15$ V
3.3 V ± 0.3 V	0.5 $V_{CCI}$	0.5 $V_{CCO}$	$V_{OL} + 0.3$ V	$V_{OH} - 0.3$ V
5.0 V ± 0.5 V	0.5 $V_{CCI}$	0.5 $V_{CCO}$	$V_{OL} + 0.3$ V	$V_{OH} - 0.3$ V

[1]  $V_{CCI}$  is the supply voltage associated with the input.

[2]  $V_{CCO}$  is the supply voltage associated with the output.



Test data is given in [Table 13](#).

All input pulses are supplied by generators having the following characteristics: PRR ≤ 10 MHz; Z<sub>O</sub> = 50 Ω; dV/dt ≥ 1.0 V/ns.

R<sub>L</sub> = Load resistance.

C<sub>L</sub> = Load capacitance including jig and probe capacitance.

V<sub>EXT</sub> = External voltage for measuring switching times.

**Fig 7. Test circuit for measuring switching times**

**Table 13. Test data**

Supply voltage		Input		Load		V <sub>EXT</sub>		
V <sub>CC(A)</sub>	V <sub>CC(B)</sub>	V <sub>I</sub> <sup>[1]</sup>	Δt/ΔV	C <sub>L</sub>	R <sub>L</sub> <sup>[2]</sup>	t <sub>PLH</sub> , t <sub>PHL</sub>	t <sub>PZH</sub> , t <sub>PHZ</sub>	t <sub>PZL</sub> , t <sub>PLZ</sub> <sup>[3]</sup>
1.65 V to 3.6 V	2.3 V to 5.5 V	V <sub>CCI</sub>	≤ 1.0 ns/V	15 pF	50 kΩ, 1 MΩ	open	open	2V <sub>CCO</sub>

[1] V<sub>CCI</sub> is the supply voltage associated with the input.

[2] For measuring data rate, pulse width, propagation delay and output rise and fall measurements, R<sub>L</sub> = 1 MΩ. For measuring enable and disable times, R<sub>L</sub> = 50 KΩ.

[3] V<sub>CCO</sub> is the supply voltage associated with the output.

## 14. Application information

### 14.1 Applications

Voltage level-translation applications. The NTS0101 can be used in point-to-point applications to interface between devices or systems operating at different supply voltages. The device is primarily targeted at I<sup>2</sup>C or 1-wire which use open-drain drivers. It may also be used in applications where push-pull drivers are connected to the ports, however the NTB0101 may be more suitable.

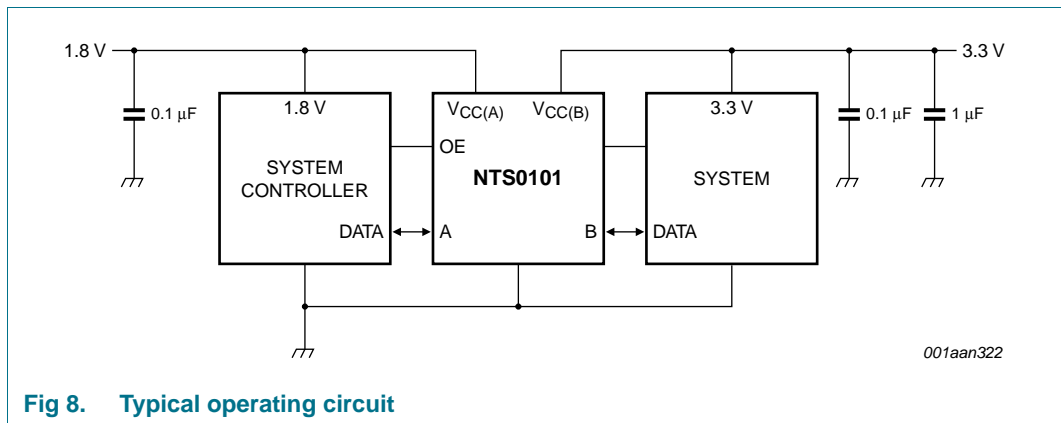


Fig 8. Typical operating circuit

### 14.2 Architecture

The architecture of the NTS0101 is shown in Figure 9. The device does not require an extra input signal to control the direction of data flow from A to B or B to A.

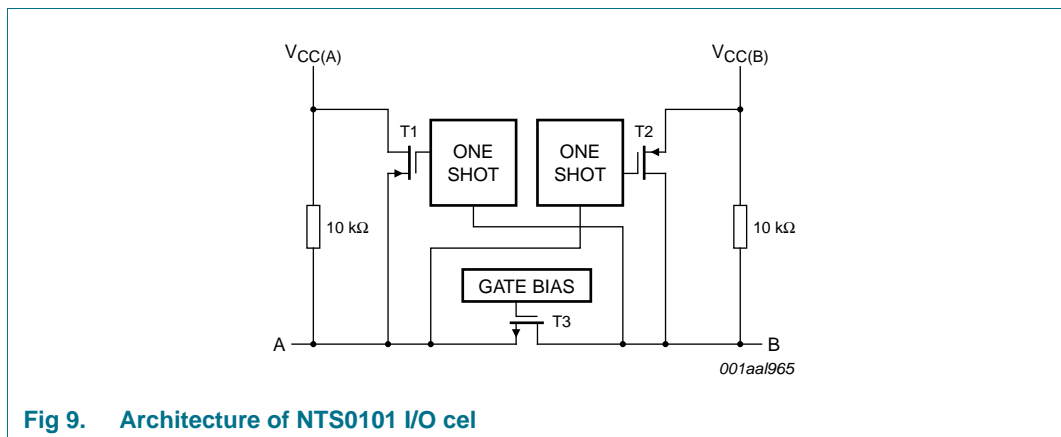


Fig 9. Architecture of NTS0101 I/O cel

The NTS0101 is a "switch" type voltage translator, it employs two key circuits to enable voltage translation:

1. A pass-gate transistor (N-channel) that ties the ports together.
2. An output edge-rate accelerator that detects and accelerates rising edges on the I/O pins.

The gate bias voltage of the pass gate transistor (T3) is set at approximately one threshold voltage above the  $V_{CC}$  level of the low-voltage side. During a LOW-to-HIGH transition, the output one-shot accelerates the output transition by switching on the PMOS transistors (T1, T2). It bypasses the 10 k $\Omega$  pull-up resistors and increases the current drive capability. The one-shot is activated once the input transition reaches approximately  $V_{CC}/2$ ; it is de-activated approximately 50 ns after the output reaches  $V_{CCO}/2$ . During the acceleration time, the driver output resistance is between approximately 50  $\Omega$  and 70  $\Omega$ . To avoid signal contention and minimize dynamic  $I_{CC}$ , the user should wait for the one-shot circuit to turn-off before applying a signal in the opposite direction. Pull-up resistors are included in the device for DC current sourcing capability.

### 14.3 Input driver requirements

As the NTS0101 is a switch type translator, properties of the input driver directly effect the output signal. The external open-drain or push-pull driver applied to an I/O determines the static current sinking capability of the system. The max data rate, HIGH-to-LOW output transition time ( $t_{THL}$ ), and propagation delay ( $t_{PHL}$ ), are dependent upon the output impedance and edge-rate of the external driver. The limits provided for these parameters in the data sheet assume a driver with output impedance below 50  $\Omega$  is used.

### 14.4 Output load considerations

The maximum lumped capacitive load that can be driven is dependant upon the one-shot pulse duration. In cases with very heavy capacitive loading, there is a risk that the output does not reach the positive rail within the one-shot pulse duration.

To avoid excessive capacitive loading and to ensure correct triggering of the one-shot, use short trace lengths and low capacitance connectors on NTS0101 PCB layouts. The length of the PCB trace should be such that the round-trip delay of any reflection is within the one-shot pulse duration (approximately 50 ns). It ensures low impedance termination and avoids output signal oscillations and one-shot retriggering.

### 14.5 Power-up

During operation,  $V_{CC(A)}$  must never be higher than  $V_{CC(B)}$ . However, during power-up,  $V_{CC(A)} \geq V_{CC(B)}$  does not damage the device, so either power supply can be ramped up first. There is no special power-up sequencing required. The NTS0101 includes circuitry that disables all output ports when either  $V_{CC(A)}$  or  $V_{CC(B)}$  is switched off.

### 14.6 Enable and disable

An output enable input (OE) is used to disable the device. Setting OE = LOW causes all I/Os to assume the high-impedance OFF-state. The disable time ( $t_{dis}$  with no external load) indicates the delay between when OE goes LOW and when outputs actually become disabled. The enable time ( $t_{en}$ ) indicates the amount of time the user must allow for one one-shot circuitry to become operational after OE is taken HIGH. To ensure the high-impedance OFF-state during power-up or power-down, pin OE should be tied to GND through a pull-down resistor. The current-sourcing capability of the driver determines the minimum value of the resistor.

### 14.7 Pull-up or pull-down resistors on I/Os lines

The A port I/O has an internal 10 k $\Omega$  pull-up resistor to  $V_{CC(A)}$ . The B port I/O has an internal 10 k $\Omega$  pull-up resistor to  $V_{CC(B)}$ . If a smaller value of pull-up resistor is required, add an external resistor in parallel to the internal 10 k $\Omega$ . This pull-up resistor effects the  $V_{OL}$  level. When OE goes LOW, the internal pull-ups of the NTS0101 are disabled.

15. Package outline

Plastic surface-mounted package; 6 leads

SOT363

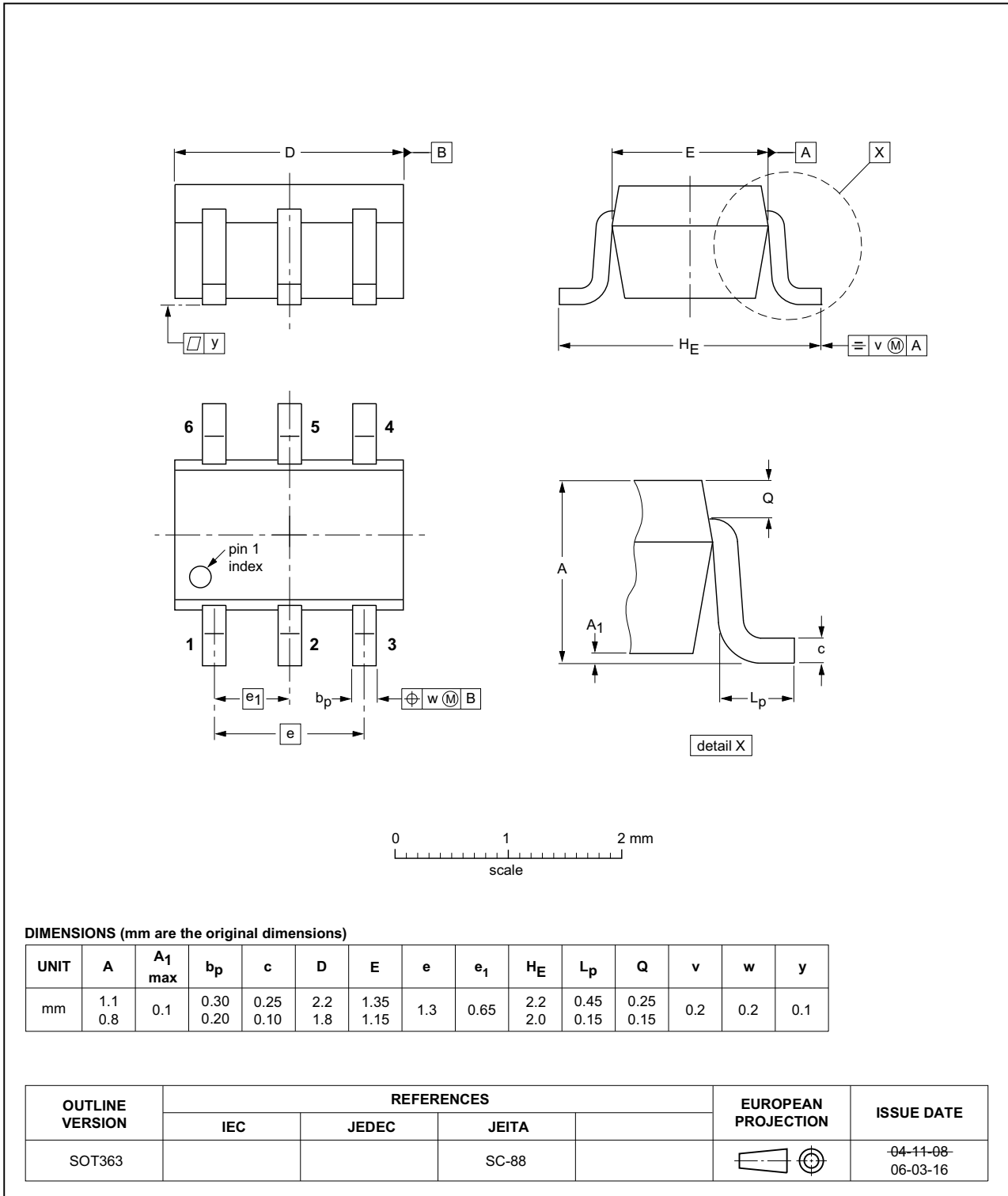


Fig 10. Package outline SOT363 (SC-88)

XSON6: plastic extremely thin small outline package; no leads; 6 terminals; body 1 x 1.45 x 0.5 mm

SOT886

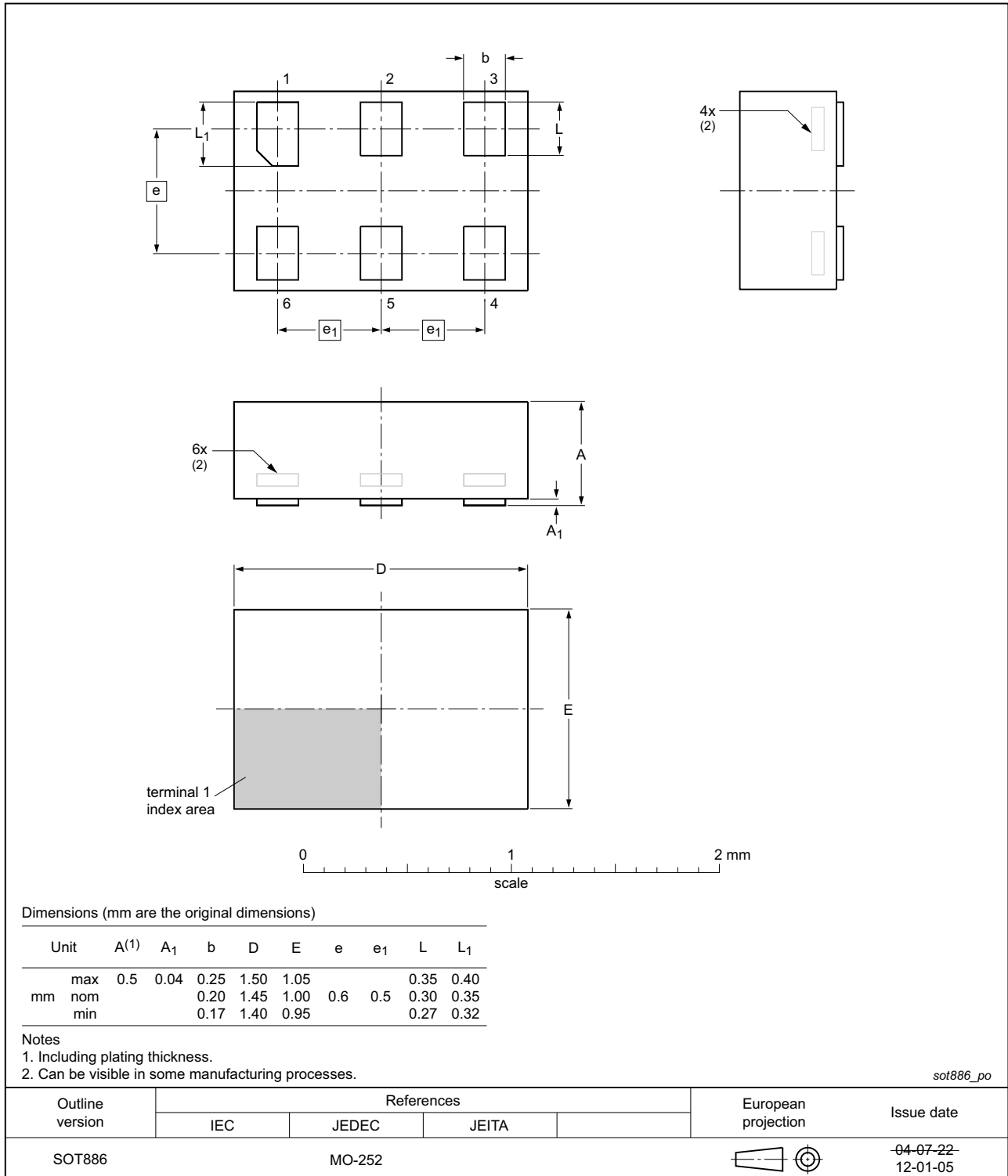


Fig 11. Package outline SOT886 (XSON6)

XSON6: plastic extremely thin small outline package; no leads; 6 terminals; body 1 x 1 x 0.5 mm

SOT891

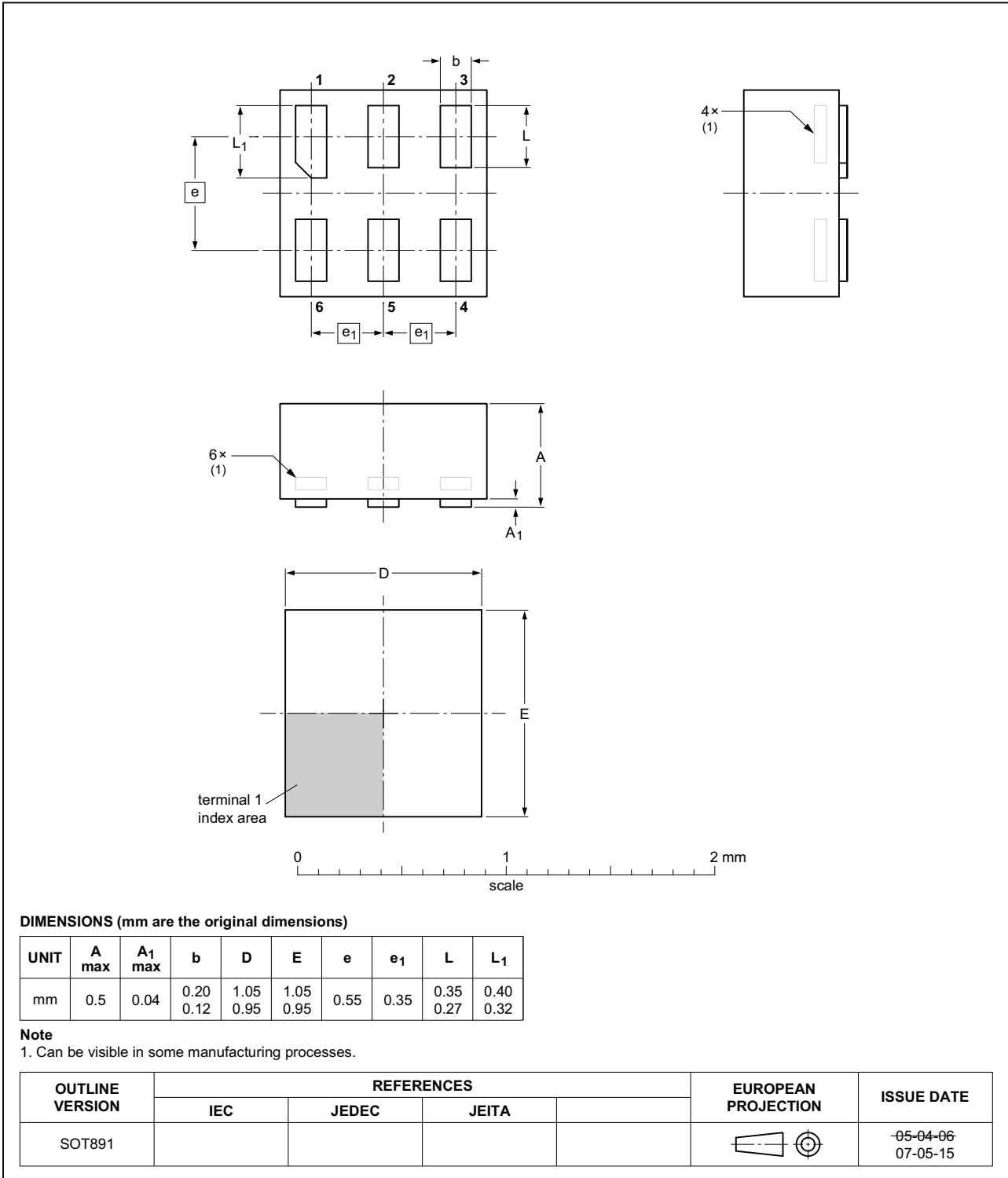


Fig 12. Package outline SOT891 (XSON6)

**XSON6: extremely thin small outline package; no leads;  
6 terminals; body 1.0 x 1.0 x 0.35 mm**

SOT1202

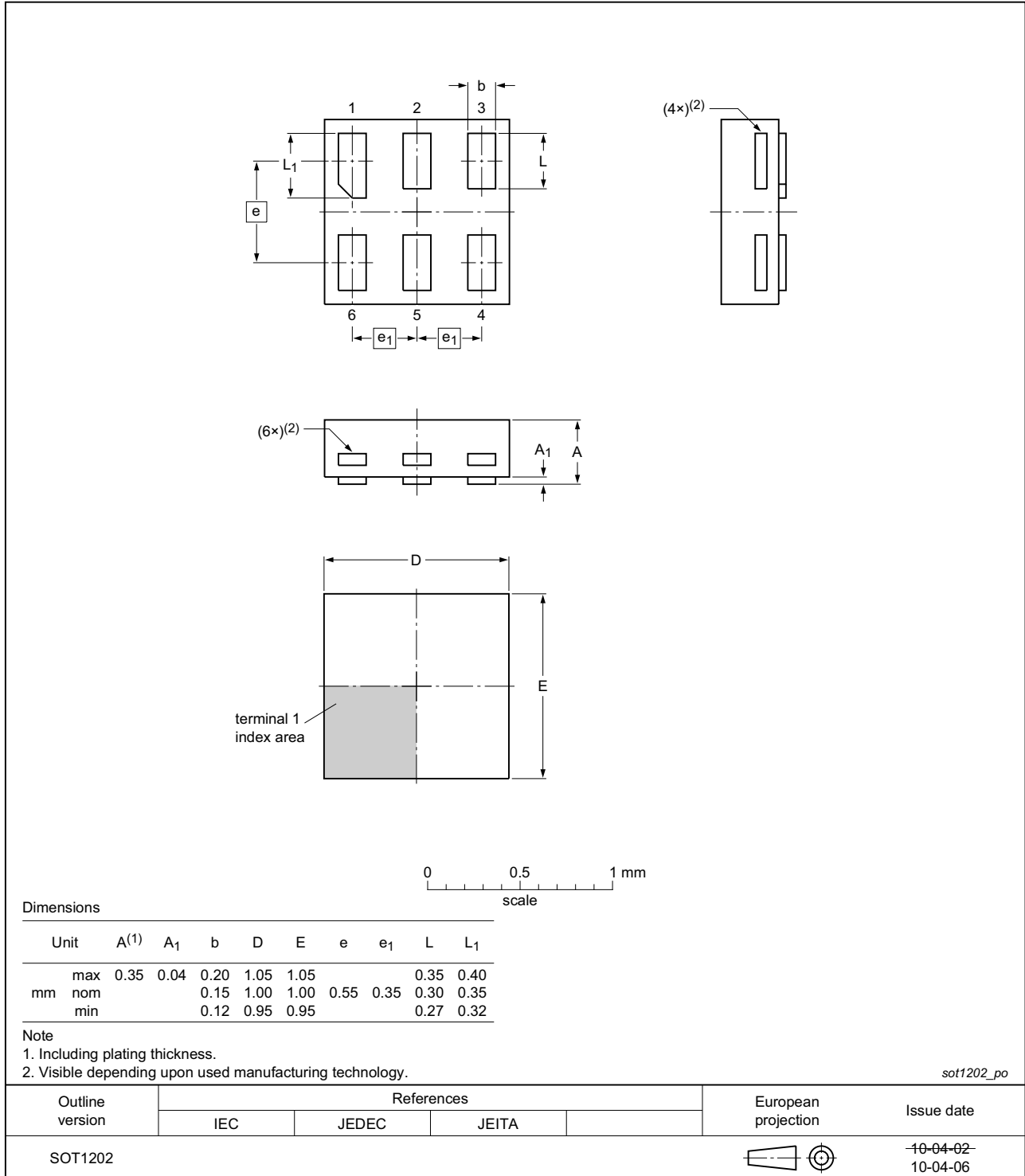


Fig 13. Package outline SOT1202 (XSON6)

## 16. Abbreviations

Table 14. Abbreviations

Acronym	Description
CDM	Charged Device Model
DUT	Device Under Test
ESD	ElectroStatic Discharge
GPIO	General Purpose Input Output
HBM	Human Body Model
I <sup>2</sup> C	Inter-Integrated Circuit
MM	Machine Model
PCB	Printed-Circuit Board
PMOS	Positive Metal Oxide Semiconductor
SMBus	System Management Bus
UART	Universal Asynchronous Receiver Transmitter

## 17. Revision history

Table 15. Revision history

Document ID	Release date	Data sheet status	Change notice	Supersedes
NTS0101 v.5	20140811	Product data sheet	-	NTS0101 v.4
Modifications:	<ul style="list-style-type: none"> <li>Type number NTS0101GV has been removed</li> </ul>			
NTS0101 v.4	20120514	Product data sheet	-	NTS0101 v.3
Modifications:	<ul style="list-style-type: none"> <li>Package outline drawing of SOT886 (Figure 11) modified.</li> </ul>			
NTS0101 v.3	20111110	Product data sheet	-	NTS0101 v.2
Modifications:	<ul style="list-style-type: none"> <li>Legal pages updated.</li> </ul>			
NTS0101 v.2	20110427	Product data sheet	-	NTS0101 v.1
NTS0101 v.1	20101230	Product data sheet	-	-

## 18. Legal information

### 18.1 Data sheet status

Document status <sup>[1][2]</sup>	Product status <sup>[3]</sup>	Definition
Objective [short] data sheet	Development	This document contains data from the objective specification for product development.
Preliminary [short] data sheet	Qualification	This document contains data from the preliminary specification.
Product [short] data sheet	Production	This document contains the product specification.

[1] Please consult the most recently issued document before initiating or completing a design.

[2] The term 'short data sheet' is explained in section "Definitions".

[3] The product status of device(s) described in this document may have changed since this document was published and may differ in case of multiple devices. The latest product status information is available on the Internet at URL <http://www.nxp.com>.

### 18.2 Definitions

**Draft** — The document is a draft version only. The content is still under internal review and subject to formal approval, which may result in modifications or additions. NXP Semiconductors does not give any representations or warranties as to the accuracy or completeness of information included herein and shall have no liability for the consequences of use of such information.

**Short data sheet** — A short data sheet is an extract from a full data sheet with the same product type number(s) and title. A short data sheet is intended for quick reference only and should not be relied upon to contain detailed and full information. For detailed and full information see the relevant full data sheet, which is available on request via the local NXP Semiconductors sales office. In case of any inconsistency or conflict with the short data sheet, the full data sheet shall prevail.

**Product specification** — The information and data provided in a Product data sheet shall define the specification of the product as agreed between NXP Semiconductors and its customer, unless NXP Semiconductors and customer have explicitly agreed otherwise in writing. In no event however, shall an agreement be valid in which the NXP Semiconductors product is deemed to offer functions and qualities beyond those described in the Product data sheet.

### 18.3 Disclaimers

**Limited warranty and liability** — Information in this document is believed to be accurate and reliable. However, NXP Semiconductors does not give any representations or warranties, expressed or implied, as to the accuracy or completeness of such information and shall have no liability for the consequences of use of such information. NXP Semiconductors takes no responsibility for the content in this document if provided by an information source outside of NXP Semiconductors.

In no event shall NXP Semiconductors be liable for any indirect, incidental, punitive, special or consequential damages (including - without limitation - lost profits, lost savings, business interruption, costs related to the removal or replacement of any products or rework charges) whether or not such damages are based on tort (including negligence), warranty, breach of contract or any other legal theory.

Notwithstanding any damages that customer might incur for any reason whatsoever, NXP Semiconductors' aggregate and cumulative liability towards customer for the products described herein shall be limited in accordance with the *Terms and conditions of commercial sale* of NXP Semiconductors.

**Right to make changes** — NXP Semiconductors reserves the right to make changes to information published in this document, including without limitation specifications and product descriptions, at any time and without notice. This document supersedes and replaces all information supplied prior to the publication hereof.

**Suitability for use** — NXP Semiconductors products are not designed, authorized or warranted to be suitable for use in life support, life-critical or safety-critical systems or equipment, nor in applications where failure or malfunction of an NXP Semiconductors product can reasonably be expected to result in personal injury, death or severe property or environmental damage. NXP Semiconductors and its suppliers accept no liability for inclusion and/or use of NXP Semiconductors products in such equipment or applications and therefore such inclusion and/or use is at the customer's own risk.

**Applications** — Applications that are described herein for any of these products are for illustrative purposes only. NXP Semiconductors makes no representation or warranty that such applications will be suitable for the specified use without further testing or modification.

Customers are responsible for the design and operation of their applications and products using NXP Semiconductors products, and NXP Semiconductors accepts no liability for any assistance with applications or customer product design. It is customer's sole responsibility to determine whether the NXP Semiconductors product is suitable and fit for the customer's applications and products planned, as well as for the planned application and use of customer's third party customer(s). Customers should provide appropriate design and operating safeguards to minimize the risks associated with their applications and products.

NXP Semiconductors does not accept any liability related to any default, damage, costs or problem which is based on any weakness or default in the customer's applications or products, or the application or use by customer's third party customer(s). Customer is responsible for doing all necessary testing for the customer's applications and products using NXP Semiconductors products in order to avoid a default of the applications and the products or of the application or use by customer's third party customer(s). NXP does not accept any liability in this respect.

**Limiting values** — Stress above one or more limiting values (as defined in the Absolute Maximum Ratings System of IEC 60134) will cause permanent damage to the device. Limiting values are stress ratings only and (proper) operation of the device at these or any other conditions above those given in the Recommended operating conditions section (if present) or the Characteristics sections of this document is not warranted. Constant or repeated exposure to limiting values will permanently and irreversibly affect the quality and reliability of the device.

**Terms and conditions of commercial sale** — NXP Semiconductors products are sold subject to the general terms and conditions of commercial sale, as published at <http://www.nxp.com/profile/terms>, unless otherwise agreed in a valid written individual agreement. In case an individual agreement is concluded only the terms and conditions of the respective agreement shall apply. NXP Semiconductors hereby expressly objects to applying the customer's general terms and conditions with regard to the purchase of NXP Semiconductors products by customer.

**No offer to sell or license** — Nothing in this document may be interpreted or construed as an offer to sell products that is open for acceptance or the grant, conveyance or implication of any license under any copyrights, patents or other industrial or intellectual property rights.

---

**Dual supply translating transceiver; open drain; auto direction sensing**

**Export control** — This document as well as the item(s) described herein may be subject to export control regulations. Export might require a prior authorization from competent authorities.

**Non-automotive qualified products** — Unless this data sheet expressly states that this specific NXP Semiconductors product is automotive qualified, the product is not suitable for automotive use. It is neither qualified nor tested in accordance with automotive testing or application requirements. NXP Semiconductors accepts no liability for inclusion and/or use of non-automotive qualified products in automotive equipment or applications.

In the event that customer uses the product for design-in and use in automotive applications to automotive specifications and standards, customer (a) shall use the product without NXP Semiconductors' warranty of the product for such automotive applications, use and specifications, and (b) whenever customer uses the product for automotive applications beyond

NXP Semiconductors' specifications such use shall be solely at customer's own risk, and (c) customer fully indemnifies NXP Semiconductors for any liability, damages or failed product claims resulting from customer design and use of the product for automotive applications beyond NXP Semiconductors' standard warranty and NXP Semiconductors' product specifications.

**Translations** — A non-English (translated) version of a document is for reference only. The English version shall prevail in case of any discrepancy between the translated and English versions.

## 18.4 Trademarks

Notice: All referenced brands, product names, service names and trademarks are the property of their respective owners.

---

## 19. Contact information

For more information, please visit: <http://www.nxp.com>

For sales office addresses, please send an email to: [salesaddresses@nxp.com](mailto:salesaddresses@nxp.com)

20. Contents

1 General description . . . . . 1

2 Features and benefits . . . . . 1

3 Applications . . . . . 1

4 Ordering information . . . . . 2

5 Marking . . . . . 2

6 Functional diagram . . . . . 2

7 Pinning information . . . . . 3

7.1 Pinning . . . . . 3

7.2 Pin description . . . . . 3

8 Functional description . . . . . 3

9 Limiting values . . . . . 4

10 Recommended operating conditions . . . . . 4

11 Static characteristics . . . . . 5

12 Dynamic characteristics . . . . . 7

13 Waveforms . . . . . 11

14 Application information . . . . . 13

14.1 Applications . . . . . 13

14.2 Architecture . . . . . 13

14.3 Input driver requirements . . . . . 14

14.4 Output load considerations . . . . . 14

14.5 Power-up . . . . . 14

14.6 Enable and disable . . . . . 14

14.7 Pull-up or pull-down resistors on I/Os lines . . 15

15 Package outline . . . . . 16

16 Abbreviations . . . . . 20

17 Revision history . . . . . 20

18 Legal information . . . . . 21

18.1 Data sheet status . . . . . 21

18.2 Definitions . . . . . 21

18.3 Disclaimers . . . . . 21

18.4 Trademarks . . . . . 22

19 Contact information . . . . . 22

20 Contents . . . . . 23

Please be aware that important notices concerning this document and the product(s) described herein, have been included in section 'Legal information'.



© NXP Semiconductors N.V. 2014. All rights reserved.

For more information, please visit: <http://www.nxp.com>  
 For sales office addresses, please send an email to: [salesaddresses@nxp.com](mailto:salesaddresses@nxp.com)

Date of release: 11 August 2014  
 Document identifier: NTS0101

## Looking for pricing, stock, or lifecycle information?

Click below to explore more details on WIN SOURCE:

-  [View NTS0101GM,115 on WIN SOURCE](#)
-  [NXP / Nexperia Information](#)

## Optimize Your Supply Chain with WIN SOURCE Solutions

-  Global Sourcing Solution
-  Obsolete Management
-  Cost Control Management
-  Shortage Management
-  Alternative Solution
-  Excess Inventory Management