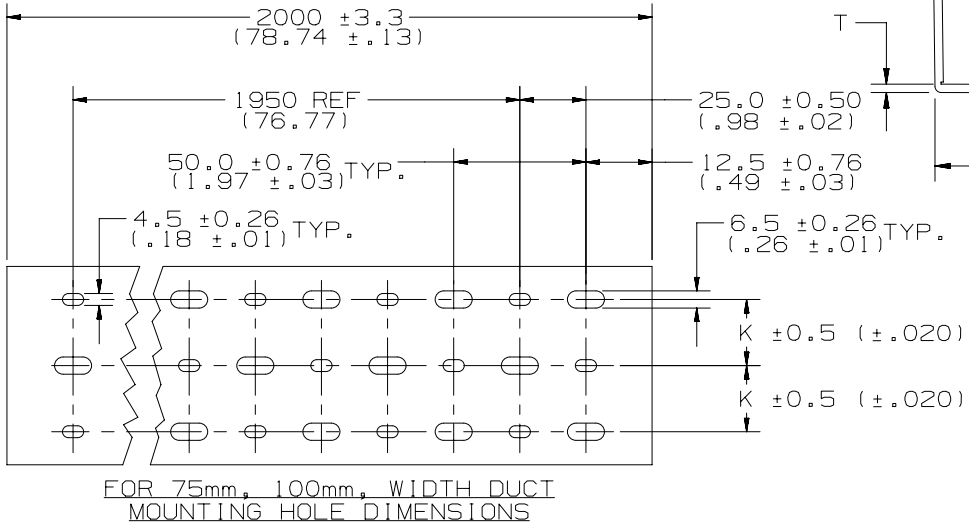
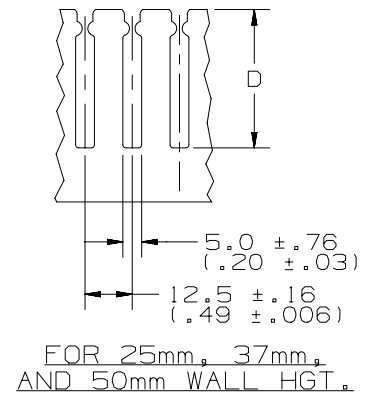
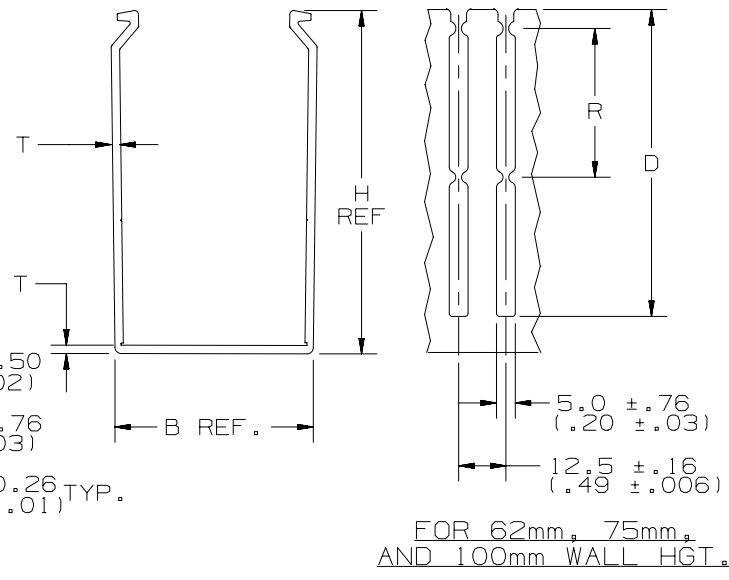
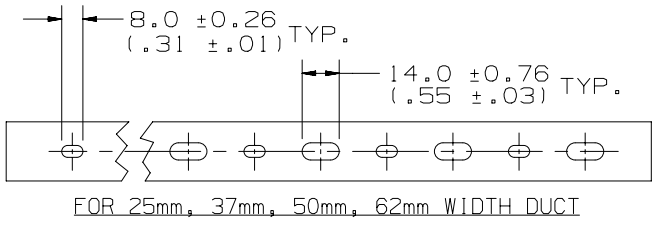




THE DATASHEET OF MC75X75IG2



THIS COPY IS PROVIDED ON A RESTRICTED BASIS AND IS NOT TO BE USED IN ANY WAY DETRIMENTAL TO THE INTERESTS OF PANDUIT CORP.



PART NO. SYSTEM CHANNEL EXAMPLE:
 MC 25 X 37 IG 2 (-A)
 TYPE — 25mm WIDE — 37mm HIGH — COLOR (INT'L GRAY) — LENGTH (m) — ADHESIVE BACKED —

- NOTES:
 1. "B" MEASURED AT BASE.
 2. STANDARD LENGTH: 2 METER.
 3. SEE CURRENT CATALOG FOR PART NUMBER DESIGNATIONS FOR TYPE, COLOR, AND LENGTH.
 4. DUCT TYPE "MC" PACKAGED WITH TYPE "C" COVER. (REFERENCE CUSTOMER DRAWING #34287-07 FOR TYPE "C" COVER)
 5. DIMENSIONS ARE METRIC (INCHES).

D10100DA/20

						TITLE		WIRING DUCT TYPE "MC" METRIC					
						ITEM REVISION NAME		CUSTOMER DRAWING					
						DATASET FILE NAME		D35540BJ/02					
								PANDUIT					
						UNLESS OTHERWISE SPECIFIED, DIMENSIONAL TOLERANCES ARE: mm [IN]		MATERIAL:					
						.x ± .xx ± 3.1 [.12]		POLYVINYL CHLORIDE					
						.xxx ± ANGLES ±		35540-09					
						THIRD ANGLE PROJECTION							
4	01.12.17	BDK	MRJS	JADE	L. UPDATED TITLE BLOCK, BORDER AND LOGO K. ADDED SHEET 3 - DUCT COVER	35540-09	DRAWN BY		DATE	CHK	SCALE	SHT 1 OF 3	
REV	DATE	BY	CHK	APR	DESCRIPTION	ECN	PM	6-5-98	HIW	NTS	K		A

THIS COPY IS PROVIDED ON A RESTRICTED BASIS AND IS NOT TO BE USED IN ANY WAY DETRIMENTAL TO THE INTERESTS OF PANDUIT CORP.

MOUNTING HOLE	
NOMINAL DUCT WIDTH	K ±.5 (.02)
25	----
37	----
50	----
62	----
75	.25 (.98)
100	.25 (.98)

PROFILE DIMENSION				
NOMINAL DUCT SIZE (W X H)	B REF	H REF	T	T TOL.
25 X 25	24.6 (.97)	20.5 (.81)	1.4 (.055)	±.2 (.008)
25 X 37	24.6 (.97)	33 (1.30)	1.4 (.055)	±.2 (.008)
25 X 50	24.6 (.97)	45.5 (1.79)	1.5 (.059)	±.2 (.008)
25 X 62	24.6 (.97)	58 (2.28)	1.5 (.059)	±.2 (.008)
25 X 75	24.6 (.97)	70.5 (2.78)	1.7 (.065)	±.25 (.010)
37 X 37	37.1 (1.46)	33 (1.30)	1.5 (.059)	±.2 (.008)
37 X 50	37.1 (1.46)	45.5 (1.79)	1.7 (.065)	±.25 (.010)
37 X 62	37.1 (1.46)	58 (2.28)	1.7 (.065)	±.25 (.010)
37 X 75	37.1 (1.46)	70.5 (2.78)	1.8 (.071)	±.3 (.012)
50 X 50	49.6 (1.95)	45.5 (1.79)	1.7 (.065)	±.25 (.010)
50 X 75	49.6 (1.95)	70.5 (2.78)	1.9 (.075)	±.3 (.012)
50 X 100	49.6 (1.95)	95.5 (3.76)	2.15 (.085)	±.25 (.010)

PROFILE DIMENSION				
NOMINAL DUCT SIZE (W X H)	B REF	H REF	T	T TOL.
62 X 37	62.4 (2.44)	33 (1.30)	1.7 (.065)	±.25 (.010)
62 X 62	62.1 (2.44)	58 (2.28)	1.8 (.071)	±.3 (.012)
75 X 50	74.6 (2.94)	45.5 (1.79)	2.0 (.079)	±.3 (.012)
75 X 62	74.6 (2.94)	58 (2.28)	1.9 (.075)	±.3 (.012)
75 X 75	74.6 (2.94)	70.5 (2.78)	2.15 (.085)	±.25 (.010)
75 X 100	74.6 (2.94)	95.5 (3.76)	2.3 (.091)	±.3 (.012)
100 X 50	99.6 (3.92)	45.5 (1.79)	2.0 (.079)	±.3 (.012)
100 X 62	99.6 (3.92)	58 (2.28)	2.0 (.079)	±.3 (.012)
100 X 75	99.6 (3.92)	70.5 (2.78)	2.5 (.098)	±.3 (.012)
100 X 100	99.6 (3.92)	95.5 (3.76)	2.5 (.098)	±.3 (.012)

SLOT DIMENSION		
NOMINAL DUCT HEIGHT	D ±.8 (.03)	R ±.75 (.02)
25	13.65 (.54)	-----
37	24.7 (.97)	-----
50	34.85 (1.37)	-----
62	45.8 (1.80)	20.35 (.80)
75	57.6 (2.27)	26.25 (1.03)
100	81.05 (3.19)	37.95 (1.49)

ALL DIMENSIONS ARE METRIC (INCHES).

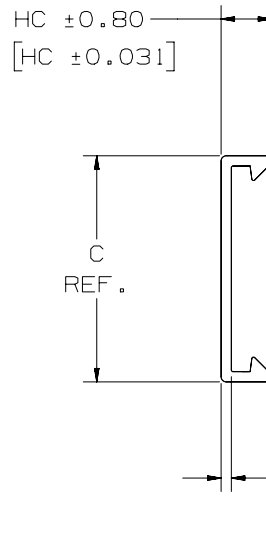
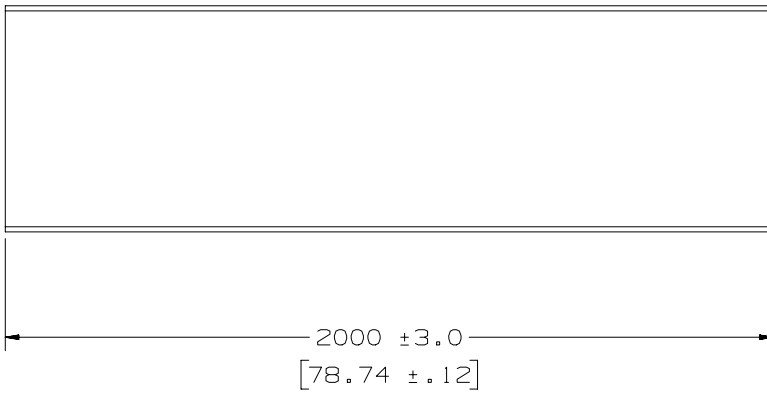


REV	DATE	BY	CHK	APR	DESCRIPTION	ECN
4	01.12.17	BDK	MRJS	JADE	SEE SHEET 1 OF 3 FOR REVISIONS	35540-09

TITLE		WIRING DUCT TYPE "MC" METRIC		
ITEM REVISION NAME		CUSTOMER DRAWING		
DATASET FILE NAME		D35540BJ/02		
		D35540BJ_DC_MCDUCTMET/02A		
UNLESS OTHERWISE SPECIFIED, DIMENSIONAL TOLERANCES ARE: mm [IN]		PANDUIT MATERIAL: POLYVINYL CHLORIDE		
.X ± .XX ± 3.1 [.12]				
.XXX ± ANGLS ±		THIRD ANGLE PROJECTION		
		35540-09		
DRAWN BY	DATE	CHK	SCALE	SIZE
PM	6-5-98	HIW	NTS	SHT 2 OF 3 A

D10100DA/20

THIS COPY IS PROVIDED ON A RESTRICTED BASIS AND IS NOT TO BE USED IN ANY WAY DETRIMENTAL TO THE INTERESTS OF PANDUIT CORP.



NOMINAL DUCT SIZE (W)	C REF	HC	TC
25	24.6 (.97)	8.9 (.35)	1.55 (.061)
37	37.1 (1.46)	8.9 (.35)	1.55 (.061)
50	49.5 (1.95)	8.9 (.35)	1.55 (.061)
62	62.0 (2.44)	8.9 (.35)	1.55 (.061)
75	74.7 (2.94)	9.4 (.37)	1.65 (.065)
100	99.6 (3.92)	9.4 (.37)	1.65 (.065)

ALL DIMENSIONS ARE METRIC (INCHES).

REV	DATE	BY	CHK	APR	DESCRIPTION	ECN
4	01.12.17	BDK	MRJS	JADE	SEE SHEET 1 OF 3 FOR REVISIONS	35540-09

TITLE WIRING DUCT TYPE "MC" METRIC			
CUSTOMER DRAWING			
ITEM REVISION NAME D35540BJ/02		PANDUIT	
DATASET FILE NAME D35540BJ_DC_MCDUCTMET/02A			
UNLESS OTHERWISE SPECIFIED, DIMENSIONAL TOLERANCES ARE: mm [IN]		MATERIAL: POLYVINYL CHLORIDE	
.x ±	.xxx ±	THIRD ANGLE PROJECTION	
.xx ± 3.1 [.12]	ANGLES ±		
DRAWN BY PM		DATE 6-5-98	CHK HIW
SCALE NTS		SIZE A	

35540-09

SHT 3 OF 3

D10100DA/20

Looking for pricing, stock, or lifecycle information?

Click below to explore more details on WIN SOURCE:

 [View MC75X75IG2 on WIN SOURCE](#)

 [Panduit Corp Information](#)

Optimize Your Supply Chain with WIN SOURCE Solutions

-  Global Sourcing Solution
-  Obsolete Management
-  Cost Control Management
-  Shortage Management
-  Alternative Solution
-  Excess Inventory Management