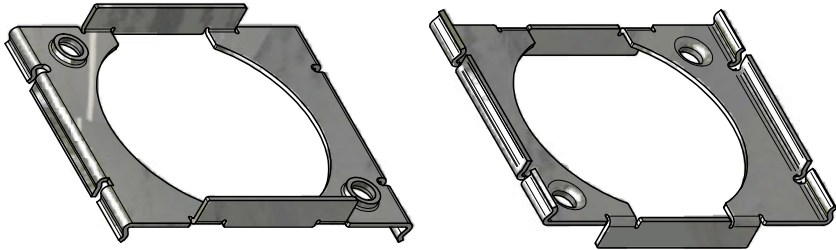




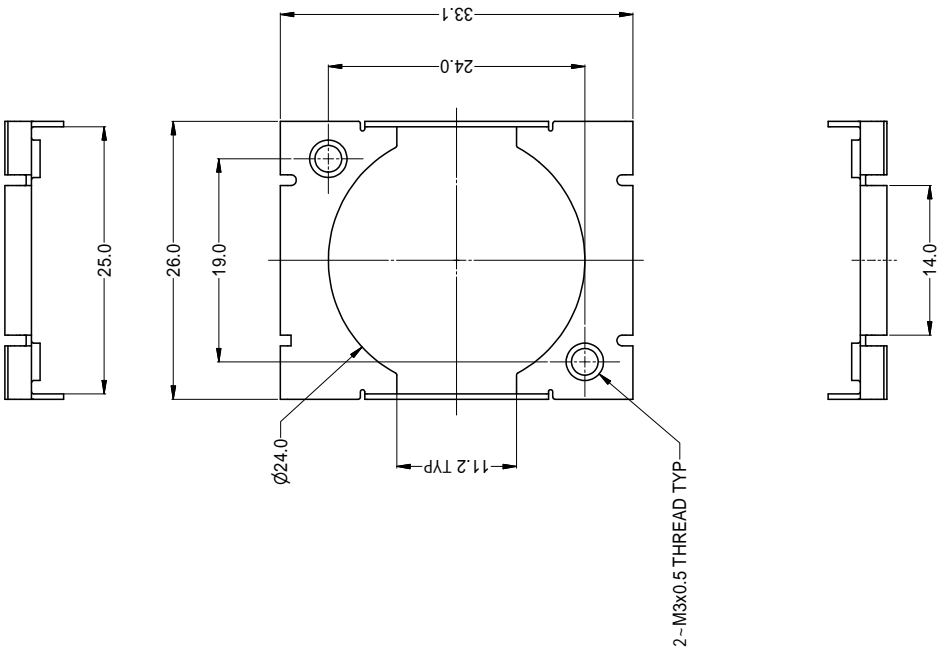
THE DATASHEET OF
52590060-300



LEGEND \diamond = KEY PRODUCT CHARACTERISTICS



3D VIEW



- NOTES:
1. MATERIAL: 0.5MM THICK SPRING STEEL.
 2. FINISH: MIN 2um NICKEL PLATED.
 3. ALL MATERIAL SHALL BE RoHS COMPLIANT.

UNLESS OTHERWISE SPECIFIED TOLERANCE TO BE		THIS DOCUMENT IS THE PROPERTY OF AMI NO PART THEREOF MAY BE REPRODUCED WITHOUT THE PRIOR WRITTEN CONSENT	
LINEAR	± 0.5	ANGULAR	DRN
X	± 0.5	X	± 30
Y	± 0.5	X.Y	± 15
XXX	± 0.1	X.Y.Z	± 15
BREAK ALL SHARP EDGES AND REMOVE ALL BURRS		MATERIAL	0.5mm THICK SPRING STEEL
DO NOT SCALE		FINISH	NICKEL PLATED
DIMENSIONS IN MILLIMETRES		APPL	CAD.
		THIRDS ANGLE PROJECTION	SCALE

3



4

5

6

Looking for pricing, stock, or lifecycle information?

Click below to explore more details on WIN SOURCE:

-  [View 52590060-300 on WIN SOURCE](#)
-  [Amphenol Information](#)

Optimize Your Supply Chain with WIN SOURCE Solutions

-  Global Sourcing Solution
-  Obsolete Management
-  Cost Control Management
-  Shortage Management
-  Alternative Solution
-  Excess Inventory Management