



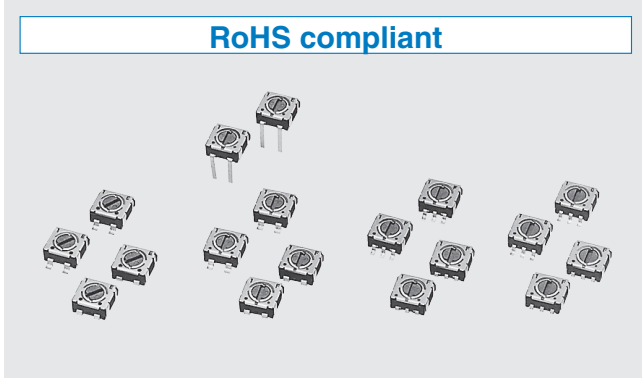
THE DATASHEET OF CS-4-12YTA



ROTARY SELECTOR SWITCHES (SMD)

CS-4

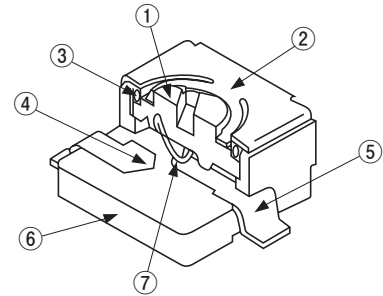
RoHS compliant



FEATURES

- RoHS compliant
- Optimum for high density board mounting applications
- Compatible with most automatic pick & place machinery (J-hook and Gull wing types only)
- Compatible with reflow and wave soldering
- Protection against dust and washable after soldering
- Excellent reliability due to precious metal contact

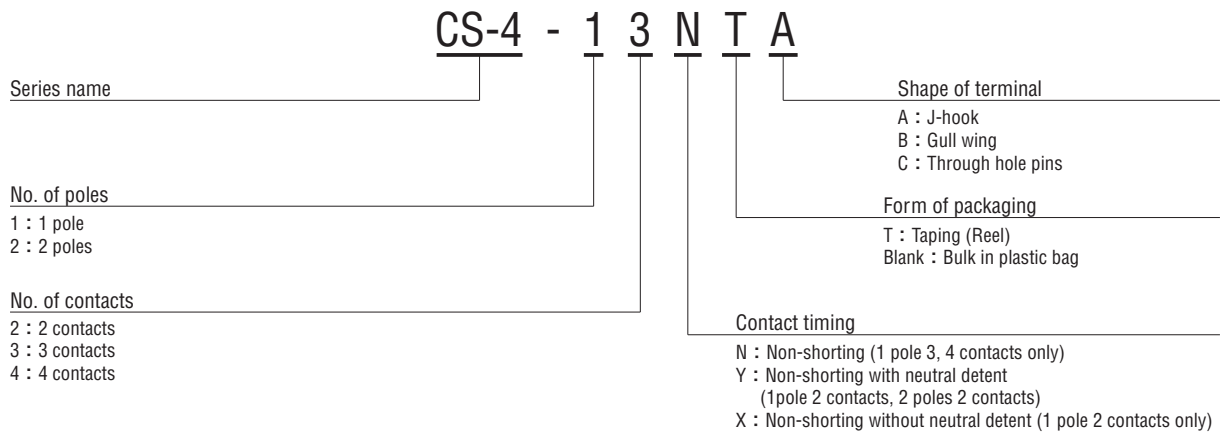
INTERNAL STRUCTURE



| Part name | Material | Flammability |
|------------------|---------------------------|--------------|
| ① Rotor | Polyphenylenesulphide | UL94V-0 |
| ② Cover | Stainless steel (SUS 304) | — |
| ③ "O" ring | Silicone rubber | UL94HB |
| ④ Fixed contact | Copper alloy, Gold-plated | — |
| ⑤ Terminal pin | | |
| ⑥ Housing | Epoxy | UL94V-0 |
| | ※ LCP (LC polymer) | |
| ⑦ Slider contact | Multi metal alloy | — |

※ : 1 pole 4 contacts only

PART NUMBER DESIGNATION



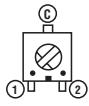
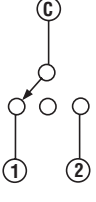

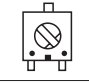
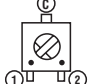
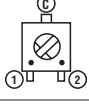
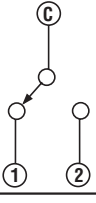
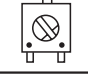

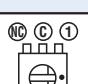
※ Please refer to the LIST OF PART NUMBERS when placing orders.

CS-4

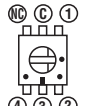
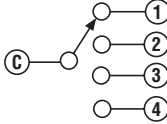
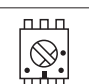
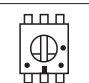
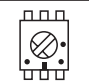
ROTARY SELECTOR SWITCHES (SMD)

SCHEMATICS DIAGRAMS

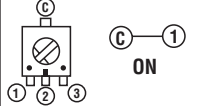
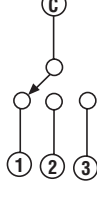

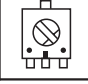
● 1 pole 2 contacts

| Series | Switching specifications | Schematic |
|---|--|--|
| CS-4-12YA ∕ YTA ∕ YB ∕ YTB ∕ YC |  ON |  |
| |  OFF | |
| |  ON | |
| |  ON | |
| CS-4-12XA ∕ XTA ∕ XB ∕ XTB ∕ XC |  ON |  |
| |  OFF | |
| |  ON | |
| |  ON | |

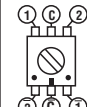
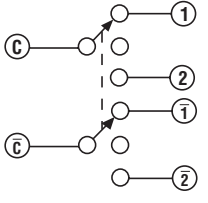
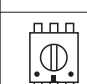
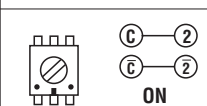
● 1 pole 4 contacts

| Series | Switching specifications | Schematic |
|-------------------------------------|--|---|
| CS-4-14NA ∕ NTA ∕ NB ∕ NTB |  ON |  |
| |  ON | |
| |  ON | |
| |  ON | |

● 1 pole 3 contacts

| Series | Switching specifications | Schematic |
|-------------------------------------|--|---|
| CS-4-13NA ∕ NTA ∕ NB ∕ NTB |  ON |  |
| |  ON | |
| |  ON | |

● 2 poles 2 contacts

| Series | Switching specifications | Schematic |
|-------------------------------------|---|---|
| CS-4-22YA ∕ YTA ∕ YB ∕ YTB |  ON |  |
| |  OFF | |
| |  ON | |

LIST OF PART NUMBERS

| Circuit type | | Form of packaging | A J-hook | B Gull wing | C Through hole pin | Pieces in package |
|----------------------|------------------------|-------------------|-------------|----------------|-----------------------|-------------------|
| 1 pole 2 contacts | With neutral detent | Taping | CS-4-12YTA | CS-4-12YTB | CS-4-12YC | 500 pcs./reel |
| | | Plastic bag | CS-4-12YA | CS-4-12YB | | 50 pcs./pack |
| | Without neutral detent | Taping | CS-4-12XTA | CS-4-12XTB | CS-4-12XC | 500 pcs./reel |
| | | Plastic bag | CS-4-12XA | CS-4-12XB | | 50 pcs./pack |
| 1 pole 3 contacts | | Taping | CS-4-13NTA | CS-4-13NTB | | 500 pcs./reel |
| | | Plastic bag | CS-4-13NA | CS-4-13NB | | 50 pcs./pack |
| 1 pole 4 contacts | | Taping | CS-4-14NTA | CS-4-14NTB | | 500 pcs./reel |
| | | Plastic bag | CS-4-14NA | CS-4-14NB | | 50 pcs./pack |
| 2 poles 2 contacts | | Taping | CS-4-22YTA | CS-4-22YTB | | 500 pcs./reel |
| | | Plastic bag | CS-4-22YA | CS-4-22YB | | 50 pcs./pack |

☐ : Not manufactured

※ Verify the above part numbers when placing orders.
Taping version can be supplied only in reel unit.

STANDARD SPECIFICATIONS

| | |
|-----------------------------|---|
| Circuit type | 1 pole 2 contacts 2 poles 2 contacts 1 pole 3 contacts 1 pole 4 contacts |
| Operating temperature range | -25 ~ 70 °C |
| Storage temperature range | -40 ~ 70 °C |
| Sealing | Washable by "O" ring ※ Please refer to page 150, 151 |
| Net weight | Approx. 0.08 g (CS-4-12, CS-4-13) Approx. 0.1 g (CS-4-14, CS-4-22) |

MECHANICAL CHARACTERISTICS

| | |
|-------------------|--|
| No. of positions | 2, 3, 4 |
| Adjustment torque | 10 mN·m (102 gf·cm) maximum |
| Stopper strength | 25 mN·m (255 gf·cm) minimum |
| Stepping angle | 45° 90° (CS-4-12X only) |
| Solderability | 245 ± 3 °C, 2 ~ 3 s |
| Soldering heat | Flow : 260 ± 3 °C as the temperature in a pot of molten solder, immersion from head of terminal to backside of board, 5 ~ 6 s, two times maximum Reflow : Peak temperature 255 °C (Please refer to the profile below.) Manual soldering : 350 ± 10 °C, 3 ~ 4 s |
| Shear (Adhesion) | 5 N (0.51 kgf), 10 s |
| Substrate bending | Width 90 mm, bend 3 mm, 5 s, 1 time |
| Pull-off strength | 5 N (0.51 kgf), 10 s |

{ } : Reference only

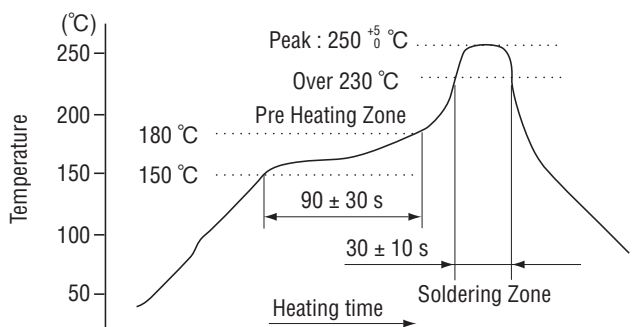
ELECTRICAL CHARACTERISTICS

| | |
|-----------------------|--------------------------|
| Contact rating | 0.5 VA |
| Maximum current | 100 mA |
| Minimum current | 1 μA |
| Maximum voltage | 16 V |
| Minimum voltage | 20 mV |
| Contact timing | Non-shorting |
| Contact resistance | 100 mΩ maximum |
| Insulation resistance | 100 MΩ (DC500 V) minimum |
| Dielectric strength | AC500 V, 60 s |

ENVIRONMENTAL CHARACTERISTICS

| | |
|---------------------------|--|
| Vibration | (Amplitude) 1.5 mmor (Acceleration) 98 m/s ² , 10-500-10 Hz, 3 directions for 2 h each |
| Shock | 490 m/s ² , 11 ms 6 directions for 3 times each |
| Load life | 200 cycles minimum DC16 V, 30 mA |
| Humidity (Steady state) | 40 °C, Relative humidity 90 ~ 95 %, 48 h |
| High temperature exposure | 70 °C, 16 h |
| Low temperature exposure | -40 °C, 16 h |
| Thermal shock | -40 (0.5 h) ~ 70 °C (0.5 h), 5 cycles |

<Reflow profile for soldering heat evaluation>



Reflow : two times maximum

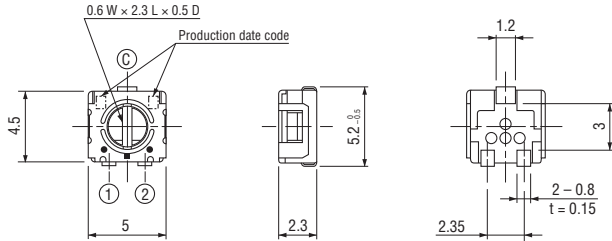
CS-4

ROTARY SELECTOR SWITCHES (SMD)

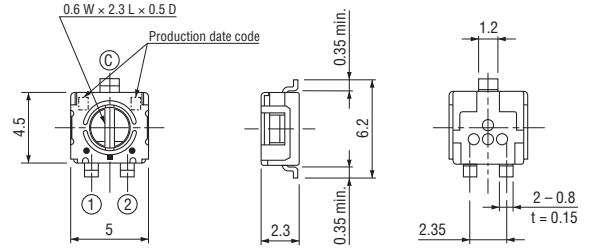
OUTLINE DIMENSIONS

Unless otherwise specified, tolerance: ± 0.3 (Unit: mm)

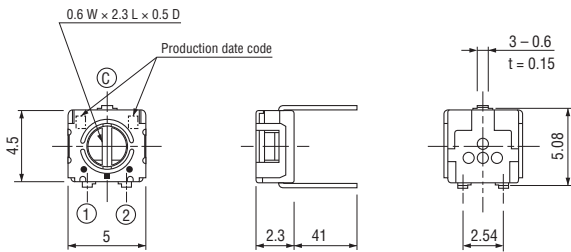
CS-4-12YA



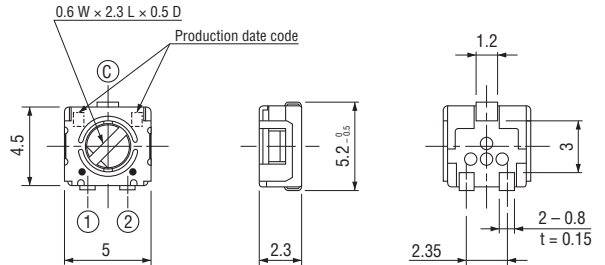
CS-4-12YB



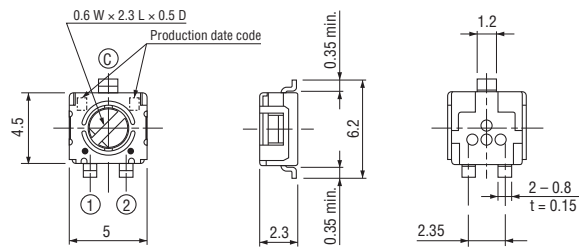
CS-4-12YC



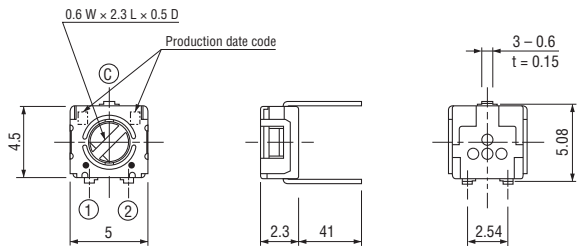
CS-4-12XA



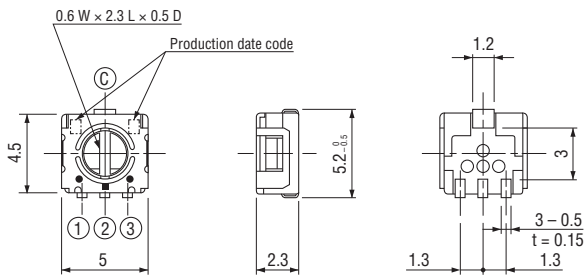
CS-4-12XB



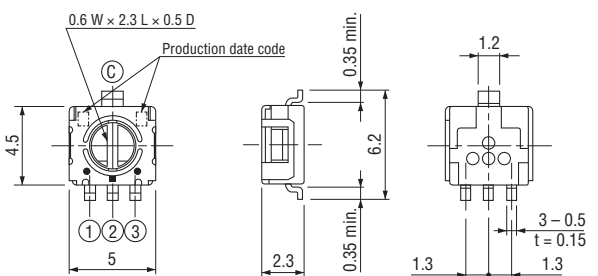
CS-4-12XC



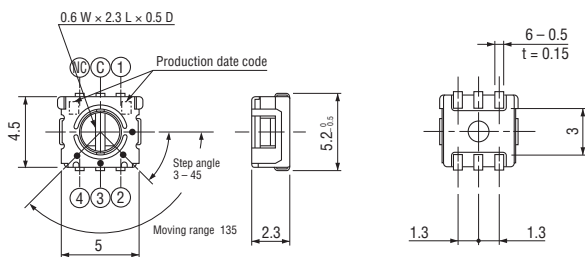
CS-4-13NA



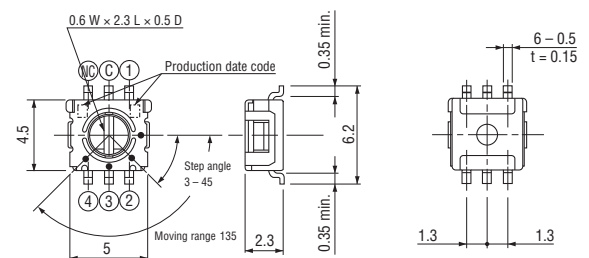
CS-4-13NB



CS-4-14NA

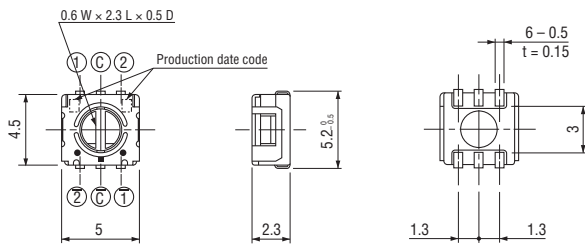


CS-4-14NB



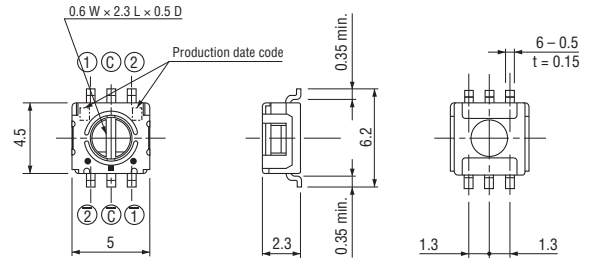
OUTLINE DIMENSIONS

CS-4-22YA



Unless otherwise specified, tolerance: ± 0.3 (Unit: mm)

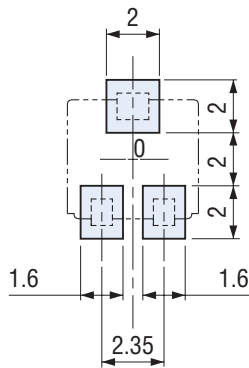
CS-4-22YB



RECOMMENDED P.C.B. PAD OUTLINE DIMENSIONS

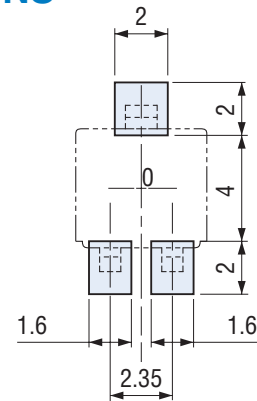
CS-4-12YA

CS-4-12XA



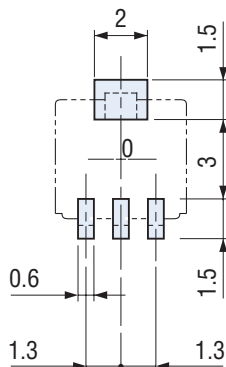
CS-4-12YB

CS-4-12XB

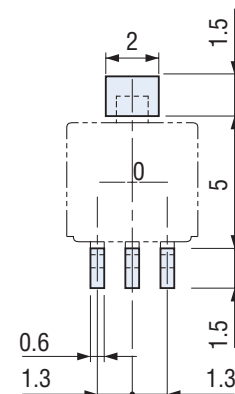


(Unit: mm)

CS-4-13NA

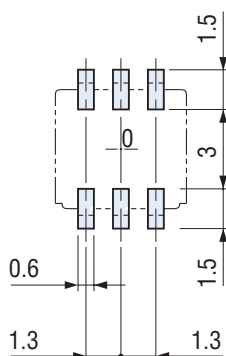


CS-4-13NB



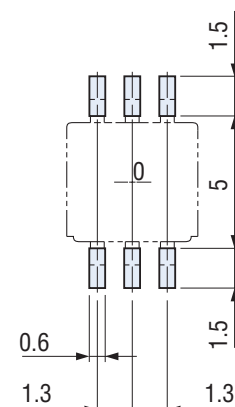
CS-4-14NA

CS-4-22YA



CS-4-14NB

CS-4-22YB



Note) The zero point is the center of mounting.

CS-4

ROTARY SELECTOR SWITCHES (SMD)

SOLDERING CONDITIONS

When dip-soldering CS-4-13NA, NB or CS-4-22YA, YB, solder bridges may occur between terminals depending upon soldering conditions.

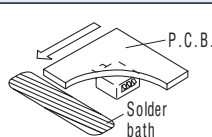
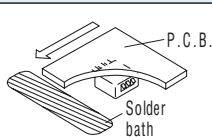
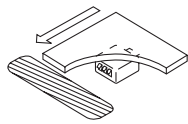
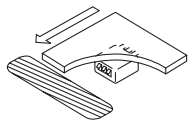
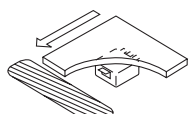
In order to prevent such bridges, vertical flow direction is recommended as shown in the below figure.

For dip-soldering, preheating should be done after applying flux.

Handle carefully in case of parallel flow direction in which solder bridges occur more often because solder flow moves toward the vertical direction against the terminals.

In addition, other soldering conditions such as soldering temperature, preheating temperature, specific gravity of flux, and belt speed affect the occurrence of bridges.

Depending on flux to be applied, markings may, though at rare case, disappear or fade out at soldering. Please make sure before its use.

| Flow direction | CS-4-13NA, NB | CS-4-22YA, YB |
|----------------|---|--|
| Vertical |  |  |
| Parallel |  |  |
| |  | |

CS-4 ROTARY SELECTOR SWITCHES (SMD)

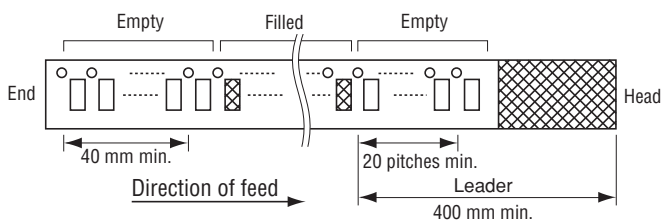
PACKAGING SPECIFICATIONS

<Taping packaging specifications>

- Taping version is packaged in 500 pcs. per reel.
Orders will be accepted for units of 500 pcs., i.e., 500, 1000, 1500 pcs., etc.
- Taping version is boxed with 4 reels (2000 pcs.).

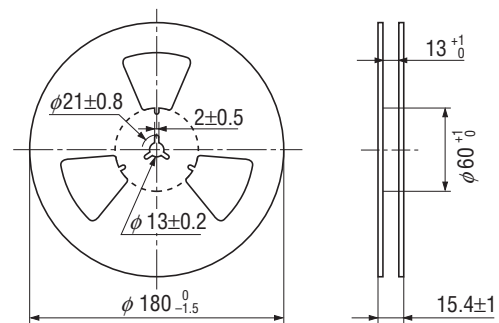
Maximum number of consecutive missing pieces=2
Leader length and reel dimension are shown in the diagrams below:

● Embossed tape dimensions



● Reel dimensions

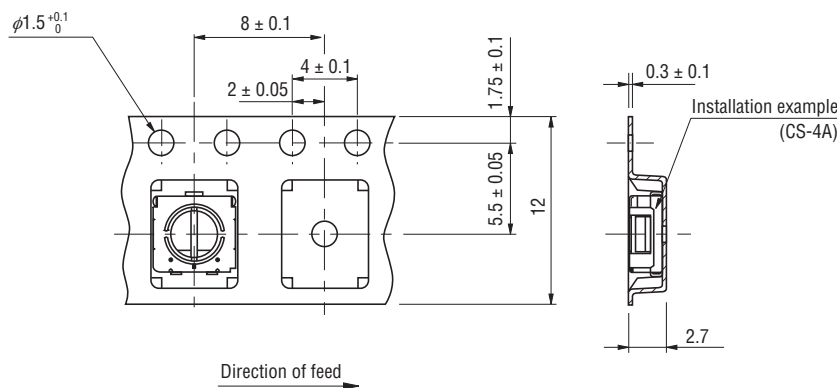
(Unit: mm)
(Conforms to JIS C 0806-3)
(In accordance with EIAJ ET-7200A)



● CS-4-□□□ TA/CS-4-□□□ TB

(Conforms to JIS C 0806)

(Unit: mm)





<Bulk pack specifications>

- The smallest unit of bulk pack in a plastic bag is 10 pcs. per pack. Orders will be accepted for unit of minimum 10 pcs., i.e., 10, 20, 30 pcs., etc.
- Boxing of bulk in a plastic bag is performed with 50 pcs. (standard 500 pcs.) per box.

Looking for pricing, stock, or lifecycle information?

Click below to explore more details on WIN SOURCE:

-  [View CS-4-12YTA on WIN SOURCE](#)
-  [Copal Electronics Inc. Information](#)

Optimize Your Supply Chain with WIN SOURCE Solutions

-  Global Sourcing Solution
-  Obsolete Management
-  Cost Control Management
-  Shortage Management
-  Alternative Solution
-  Excess Inventory Management