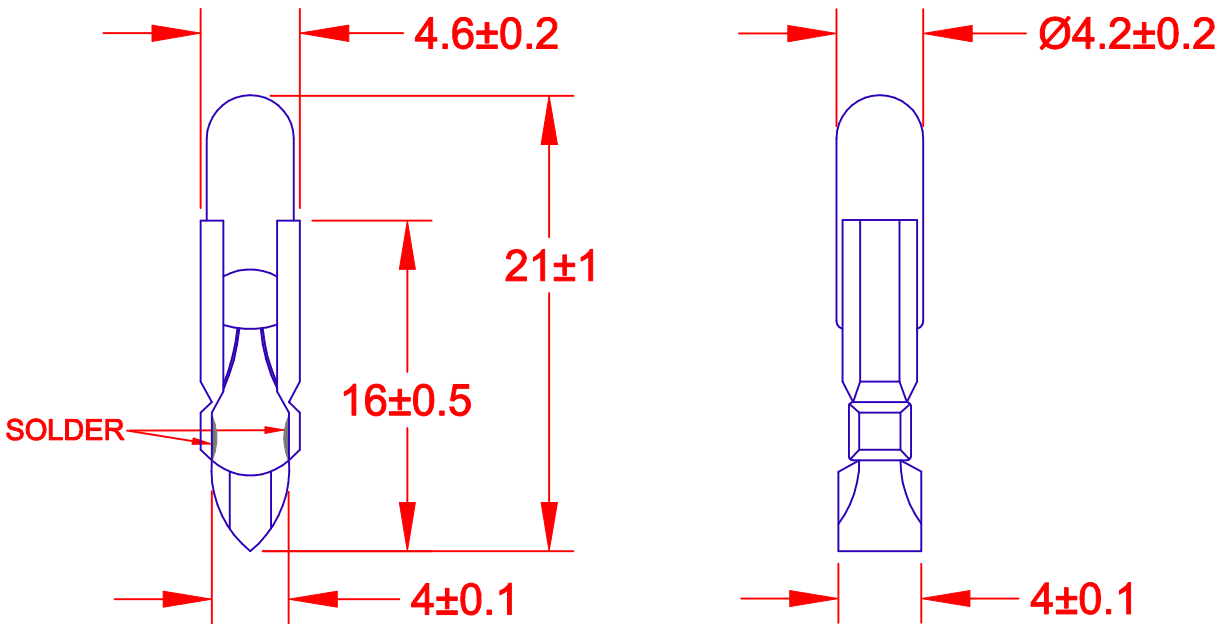


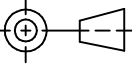


THE DATASHEET OF SM1250M





JKL LAMP NUMBER	VOLTS RATED	AMPS ±10%	MSCP ±25%	LUMENS ±25%	AVERAGE LIFE HRS.	FILAMENT TYPE
SM0620M	6.0	.020	.024	0.30	5,000	C-6
SM0650M	6.0	.050	.080	1.01	5,000	C-2R
SM1220M	12.0	.020	.032	0.40	5,000	C-2V
SM1240M	12.0	.040	.088	1.11	5,000	C-2V
SM1250M	12.0	.050	.159	2.00	5,000	C-2V
SM2420M	24.0	.020	.064	0.80	5,000	C-2F
SM2430M	24.0	.030	.159	2.00	5,000	C-2F
SM2450M	24.0	.050	.279	3.51	5,000	C-2F
SM3020M	30.0	.040	.287	3.61	5,000	C-2F
SM3040M	30.0	.040	.287	3.61	5,000	C-2F

		METRIC  THIRD ANGLE PROJECTION		DIMENSIONS ARE IN MILLIMETERS TOLERANCE UNLESS OTHERWISE SPECIFIED 1 PL +/- 0.2 2 PL +/- 0 ANGLE +/- 0		JKL COMPONENTS CORPORATION					
		DRAWN BY L. WENGSTROM		APPV'D BY DATE QC 8/16/00		SIZE A	FSCM NO. 55335	DRAWING NO. SLIDE BASE LILIPUT T4.6			
REV. NO.		DESCRIPTION/ECO NUMBER		APPV'D DATE		SCALE NONE		RELEASED DATE 8/16/00	REVISION DATE	REV. NO.	SHEET 1 of 1
RELEASED		8/16/00		- CAD DRAWING - MANUAL REVISIONS NOT PERMITTED							

Looking for pricing, stock, or lifecycle information?

Click below to explore more details on WIN SOURCE:

- ⊖ [View SM1250M on WIN SOURCE](#)
- ⊖ [JKL Components Corp. Information](#)

Optimize Your Supply Chain with WIN SOURCE Solutions

- ✓ Global Sourcing Solution
- ✓ Obsolete Management
- ✓ Cost Control Management
- ✓ Shortage Management
- ✓ Alternative Solution
- ✓ Excess Inventory Management