



THE DATASHEET OF
08B1-1X4T-06-F



THE INFORMATION CONTAINED HEREIN IS CONSIDERED "PROPRIETARY" TO BEL FUSE INC. AND SHALL NOT BE COPIED, REPRODUCED OR DISCLOSED WITHOUT THE WRITTEN APPROVAL OF BEL FUSE INC.

ELECTRICAL CHARACTERISTICS @ 25°C

URNS RATIO

TX 1CT : 1
RX 1CT : 1

CL @ 100kHz/100mVRMS
8mA DC BIAS

350µH MIN.

INS. LOSS

1MHZ TO 100MHZ
-1.0 dB MAX

RET. LOSS (MIN)

1MHZ-30MHZ -18 dB
30MHZ-60MHZ -18+20LOG(F/30MHZ) dB
60MHZ-80MHZ -12 dB

CROSS TALK (TX - RX)

500kHz-1MHZ -70 dB MIN
10 MHZ -50 dB MIN
30 MHZ -45 dB MIN
50 MHZ -40 dB MIN
100 MHZ -35 dB MIN

CM TO CM REJ

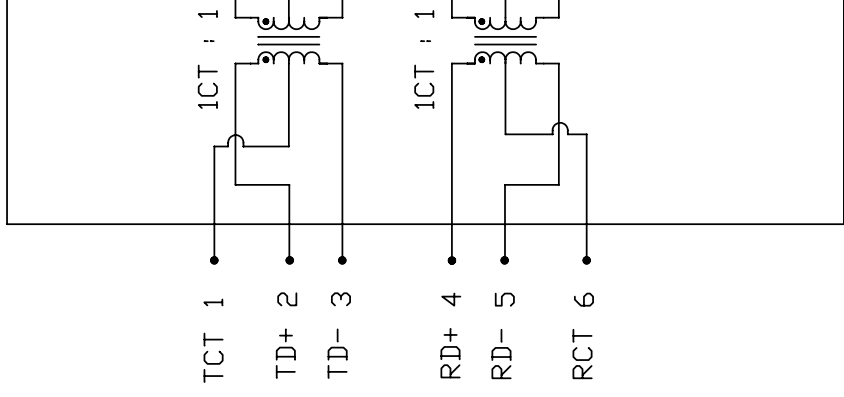
100kHz-1MHZ -70 dB MIN
10 MHZ -47 dB MIN
30 MHZ -42 dB MIN
60 MHZ -37 dB MIN
100 MHZ -30 dB MIN

CM TO DM REJ

100kHz-1MHZ -70 dB MIN
10 MHZ -60 dB MIN
30 MHZ -50 dB MIN
60 MHZ -45 dB MIN
100 MHZ -40 dB MIN

HIPOT (Isolation Voltage):

1500 Vrms
100% OF PRODUCTION TESTED TO COMPLY WITH
IEEE 802.3 ISOLATION REQUIREMENTS.

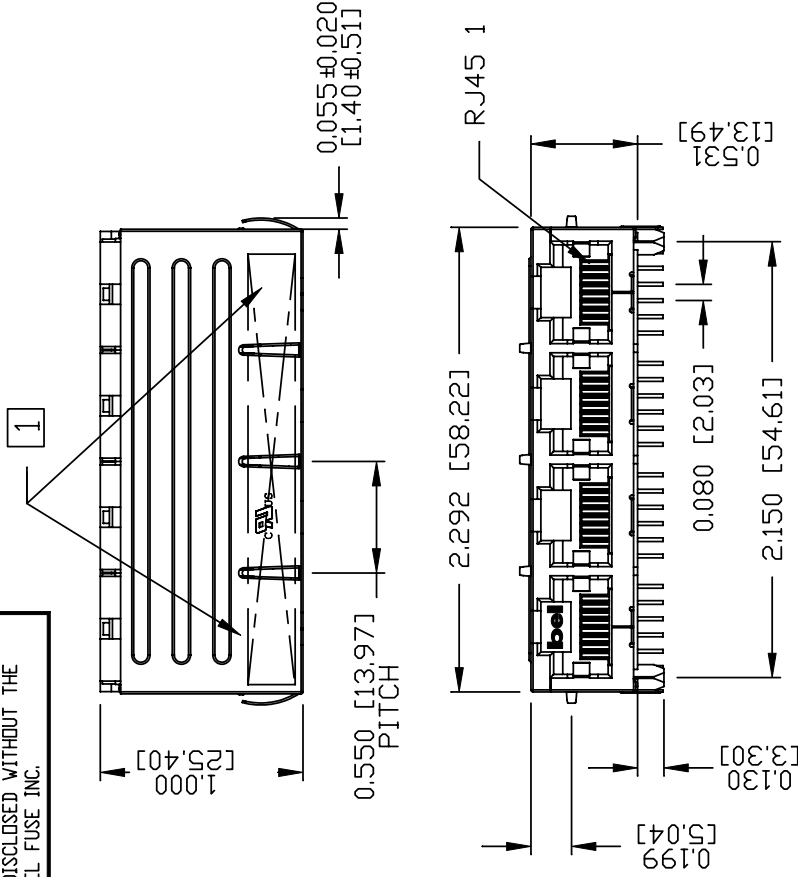


ORIGINATED BY	DATE	TITLE	PART NO. / DRAWING NO.	STANDARD DIM TOL. IN INCH
CHOW WANCHUNG	2012-08-29	1X4 MoJack® FOR MDIX	08B11X4T06-F	.X
DRAWN BY	DATE	08B1-1X4T-06-F PATENTED	FILE NAME	.XX
TAN QIGUANG	2012-08-29		08B11X4T06-F_B.DWG	.XXX

DC002(2)081111

This document is electronically generated. This is a controlled copy if used.

THE INFORMATION CONTAINED HEREIN IS CONSIDERED "PROPRIETARY" TO BEL FUSE INC. AND SHALL NOT BE COPIED, REPRODUCED OR DISCLOSED WITHOUT THE WRITTEN APPROVAL OF BEL FUSE INC.



NOTES:

PLASTIC HOUSING: THERMOPLASTIC PBT

CONTACTS PLATING: FLAMMABILITY RATING UL 94V-0
15 MICRO-INCH HARD GOLD PLATING
OR EQUIVALENT.

PINS: TIN-COATED COPPER WIRE, DIA 0.018 INCH,
METAL SHIELD: NICKEL PLATED ON COPPER ALLOY.

[1] MARK PART WITH MFG LOGO, MFG NAME, PART NUMBER,
DATE CODE AND PATENTED.
<ALL GROUND LEADS ARE SOLDER DIPPED>

UL RECOGNIZED -
2. THE PRODUCT IS RoHS
3. THE PRODUCT IS PATENTED
IS U.S. PAT. 5,736,911

ORIGINATED BY	DATE
ANTON LIAO	2012-08-29
DRAWN BY	DATE
HE ZHEN	2012-08-29

TITLE	
1X4 MagJack® FOR MDIX	
08B1-1X4T-06-F	
PATENTED	

PART NO. / DRAWING NO.	08B11X4T06-F
FILE NAME	08B11X4T06-F_B.DWG

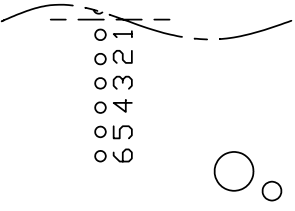
STANDARD DIM TOL. IN INCH	
.X	
.XX	
.XXX	±0.01

DC002(2)081111

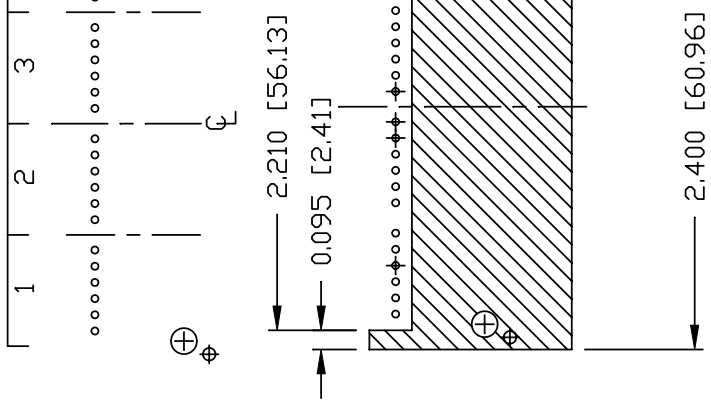
This document is electronically generated. This is a controlled copy if used.

THE INFORMATION CONTAINED HEREIN IS CONSIDERED
 "PROPRIETARY" TO BEL FUSE INC. AND SHALL NOT BE
 COPIED, REPRODUCED OR DISCLOSED WITHOUT THE
 WRITTEN APPROVAL OF BEL FUSE INC.

PIN ASSIGNMENT - EACH PORT
 COMPONENT SIDE VIEW



RECOMMENDED PCB FOOT
 COMPONENT SIDE VIEW



6	RCT
5	RD -
4	RD +
3	TD -
2	TD +
1	TCT

THE SHADED AREA ON THE ()
 RECOMMENDED TO BE CLEAR
 COMPONENT PAD.

ORIGINATED BY	DATE	TITLE	PART NO. / DRAWING NO.	STANDARD DIM TOL. IN INCHES
ANTON LIAO	2012-08-29	1X4 Mo9Jack® FOR MDIX	08B11X4T06-F	.X
DRAWN BY	DATE	08B1-1X4T-06-F	FILE NAME	.XX
HE ZHEN	2012-08-29	PATENTED	08B11X4T06-F_B.DWG	.XXX
				#0.00

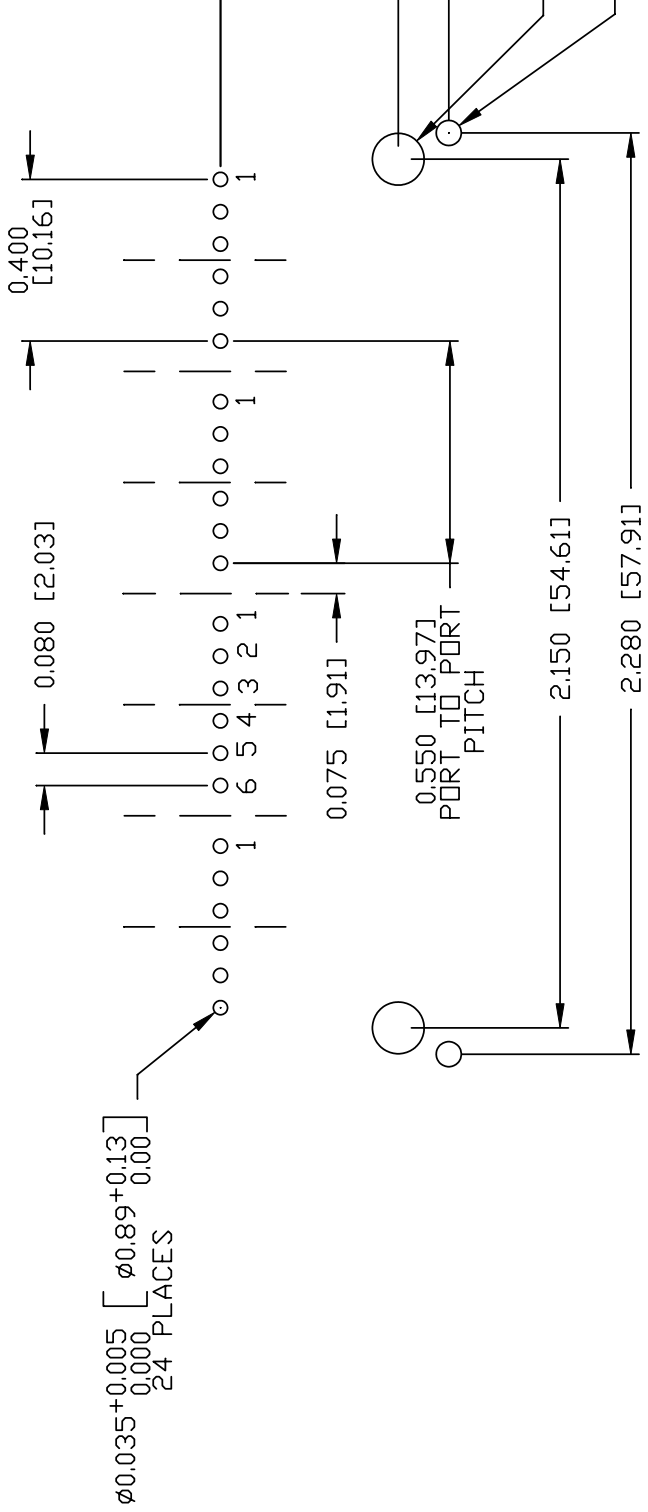
DC002(2)081111

This document is electronically generated. This is a controlled copy if used.

THE INFORMATION CONTAINED HEREIN IS CONSIDERED
 "PROPRIETARY" TO BEL FUSE INC. AND SHALL NOT BE
 COPIED, REPRODUCED OR DISCLOSED WITHOUT THE
 WRITTEN APPROVAL OF BEL FUSE INC.

RECOMMENDED PCB FOOTPRINT

COMPONENT SIDE VIEW



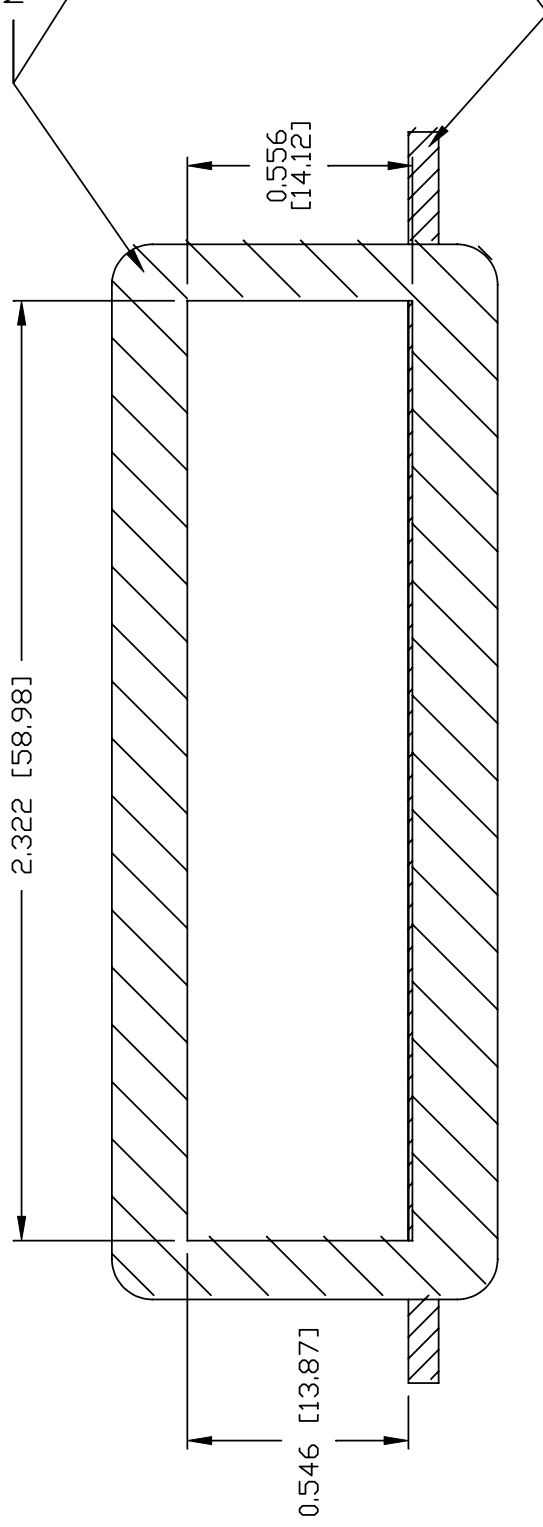
ORIGINATED BY	DATE	TITLE	PART NO. / DRAWING NO.	STANDARD DIM
ANTON LIAO	2012-08-29	1X4 MagJack® FOR MDIX	08B11X4T06-F	TOL. IN INCH
DRAWN BY	DATE	08B1-1X4T-06-F	FILE NAME	.X
HE ZHEN	2012-08-29	PATENTED	08B11X4T06-F_B.DWG	.XX
				.XXX

DC002(2)081111

This document is electronically generated. This is a controlled copy if used.

THE INFORMATION CONTAINED HEREIN IS CONSIDERED "PROPRIETARY" TO BEL FUSE INC. AND SHALL NOT BE COPIED, REPRODUCED OR DISCLOSED WITHOUT THE WRITTEN APPROVAL OF BEL FUSE INC.

SUGGESTED PANEL OPENING



NOTES:

THE DISTANCE OF PANEL INSIDE SURFACE RELATIVE TO FRONT SURFACE OF PART IS ONLY A
IN CASE THIS DISTANCE IS DIFFERENT, THE REQUIRED PANEL OPENING DIMENSIONS CHANGE AC

PACKING INFORMATION

PACKING TRAY : 0200-0148-17

PACKING QUANTITY : 30 PCS FINISHED GOODS PER TRAY.

10 TRAYS (300 PCS FINISHED GOODS) PER CARTON BOX.

NOTE : CARDBOARDS ARE PLACED BETWEEN LAYERS OF PACKING TRAY INSIDE CARTON BOX.
(INCLUDE THE UPPERMOST AND LOWERMOST TRAY)

ORIGINATED BY	DATE	TITLE	PART NO. / DRAWING NO.	STANDARD DIM TOL. IN INCH
ANTON LIAO	2012-08-29	1X4 MagJack® FOR MDIX	08B11X4T06-F	.X
DRAWN BY	DATE		FILE NAME	.XX
HE ZHEN	2012-08-29	08B1-1X4T-06-F PATENTED	08B11X4T06-F_B.DWG	.XXX
				+0.00

DC002(2)081111

This document is electronically generated. This is a controlled copy if used.

Looking for pricing, stock, or lifecycle information?

Click below to explore more details on WIN SOURCE:

- [View 08B1-1X4T-06-F on WIN SOURCE](#)
- [Bel Fuse Inc. Information](#)

Optimize Your Supply Chain with WIN SOURCE Solutions

- ✓ Global Sourcing Solution
- ✓ Obsolete Management
- ✓ Cost Control Management
- ✓ Shortage Management
- ✓ Alternative Solution
- ✓ Excess Inventory Management