



THE DATASHEET OF E2467NL

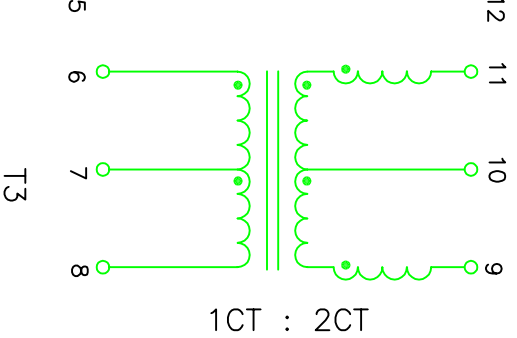
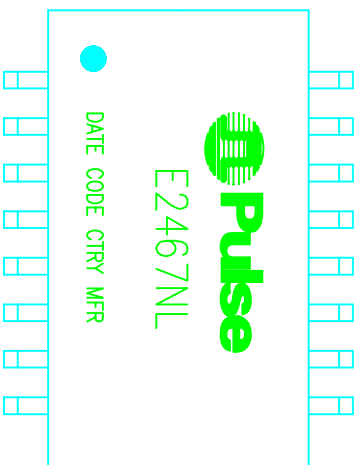


3

2

1

FINAL OUTLINE NOTES:
CHECK DIMENSIONS PER PACKAGE SPECIFICATION ITEM 10.



Electrical @ 25°C

| PARAMETER | SPECIFICATIONS |
|--------------------------------|---|
| TURNS RATIO | (1-3) : (14-16) = 1CT:1CT ±2% (6-8) : (9-11) = 1CT:2CT ±2% |
| CAPACITANCE WINDING TO WINDING | (1-3) 8 pF MAX (AT 100 KHz 20 mV(RMS)) (6-8) 12 pF MAX |
| DC RESISTANCE | 0.3 OHMS MAX |
| LEAKAGE INDUCTANCE | 0.3 uH MAX |
| INPUT - OUTPUT ISOLATION | 1500 VRMS MIN @ 60 SECONDS |

UNLESS OTHERWISE SPECIFIED, ALL DIMENSIONS ARE IN INCHES TOLERANCES ARE:

DECIMALS ANGLES
XX ±.01 ± 1°
XXX ±.005

DO NOT SCALE DRAWING

SIZE CASE CODE
B01961

DWG. NO.
E2467NL

SCALE NONE CADD FILE
E2467NL-1

SHEET 1 OF 2
REV. P1

3

2

1

A

B

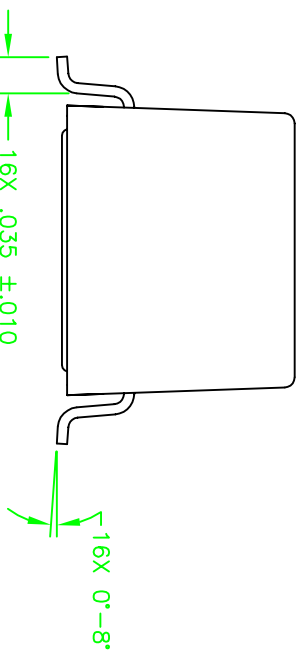
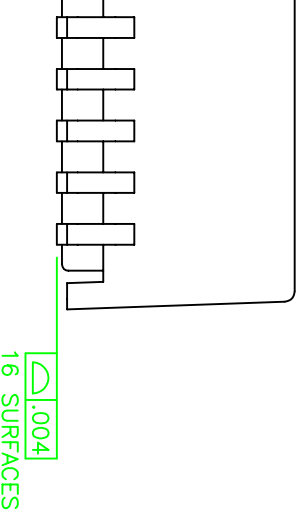
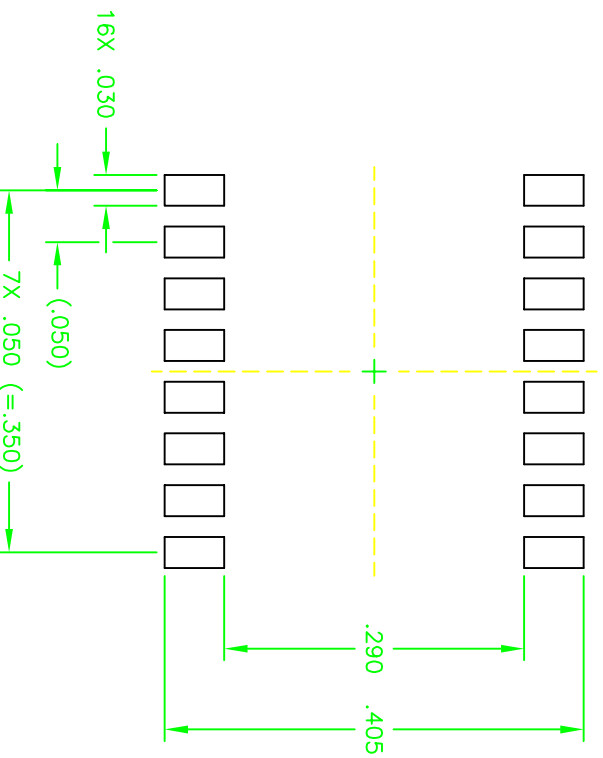
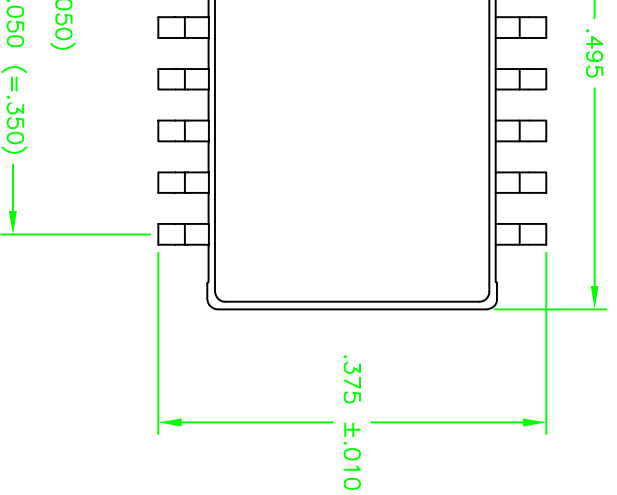
C

D

3

2

1



16 SURFACES

3

2

1

UNLESS OTHERWISE SPECIFIED, ALL DIMENSIONS ARE IN INCHES
 TOLERANCES ARE:
 DECIMALS ANGLES
 XX ±.01 ± 1°
 XXX ±.005
 DO NOT SCALE DRAWING

| | | |
|-------|-----------|----------|
| SIZE | CAGE CODE | DWG. NO. |
| B | 01961 | E2467NL |
| SCALE | CADD FILE | |
| NONE | | |

E2467NL

SHEET 2 OF 2

REV. P1

A

B


C

D

Looking for pricing, stock, or lifecycle information?

Click below to explore more details on WIN SOURCE:

 [View E2467NL on WIN SOURCE](#)

 [Pulse Information](#)

Optimize Your Supply Chain with WIN SOURCE Solutions

-  Global Sourcing Solution
-  Obsolete Management
-  Cost Control Management
-  Shortage Management
-  Alternative Solution
-  Excess Inventory Management