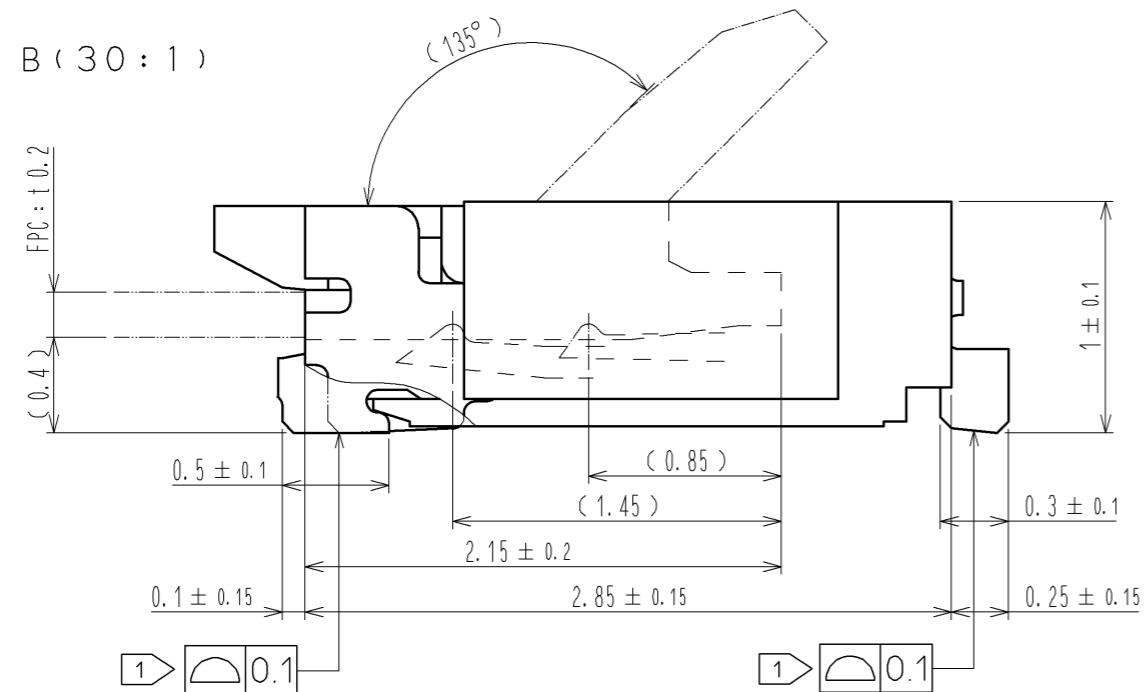
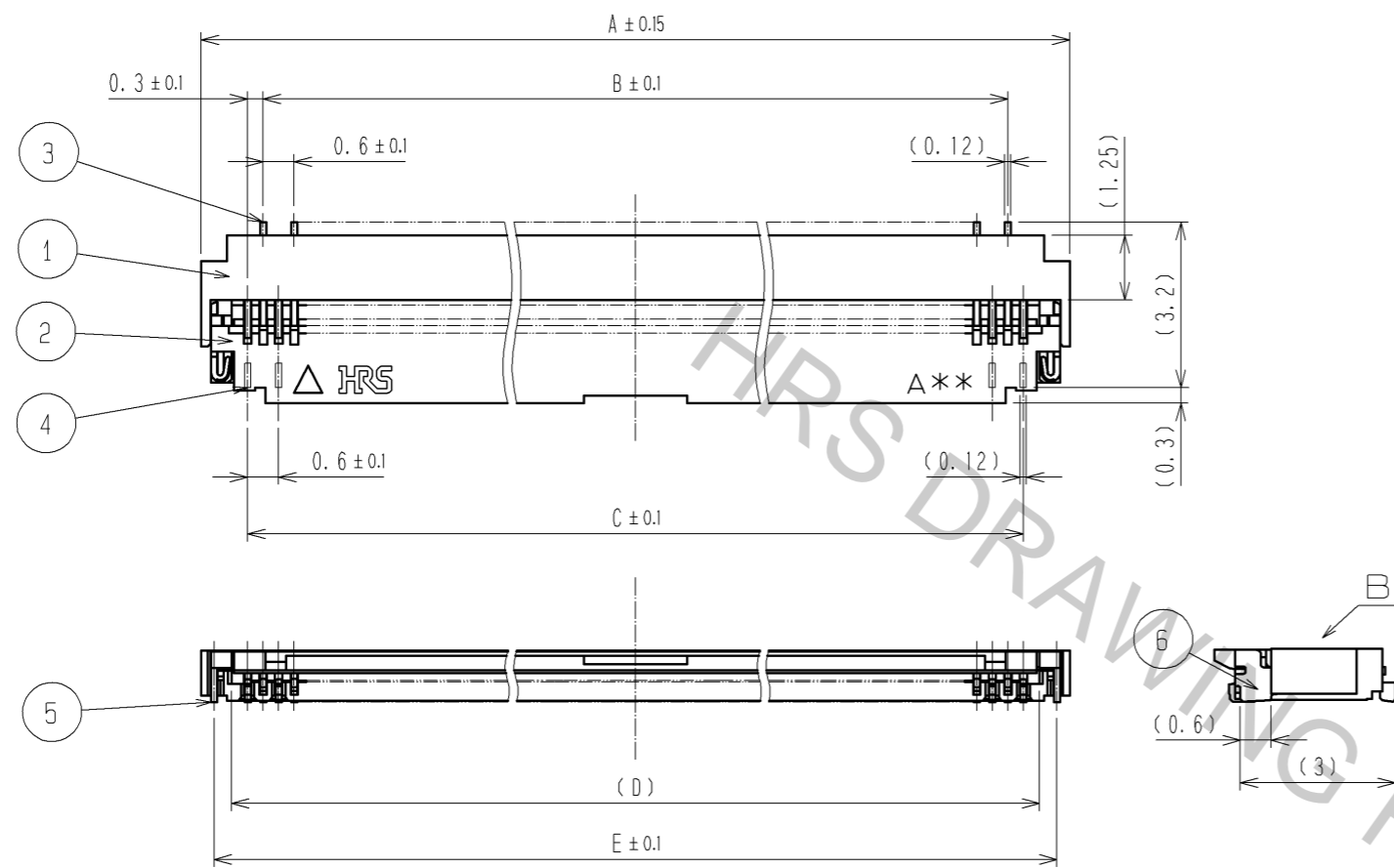




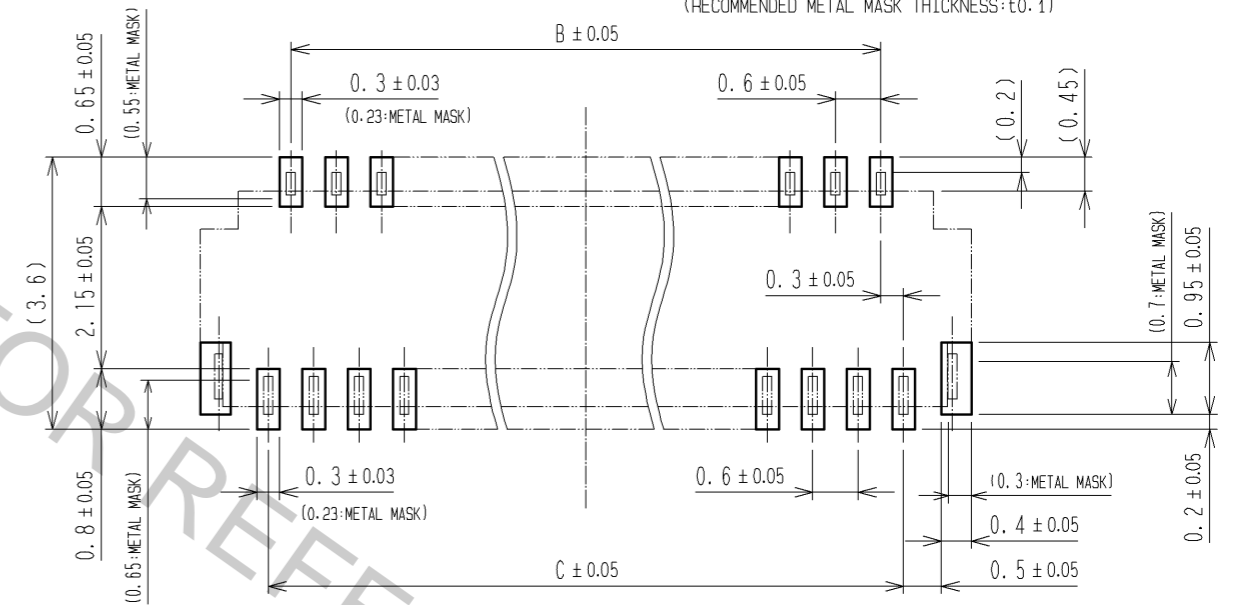
**THE DATASHEET OF
FH26-33S-0.3SHW(05)**



Sep.1.2018 Copyright 2018 HIROSE ELECTRIC CO., LTD. All Rights Reserved.
 In case that the application demands a high level of reliability, such as automotive,
 please contact a company representative for further information.



RECOMMENDED LAND PATTERN (SCALE:FREE)
(RECOMMENDED METAL MASK THICKNESS: $t 0.1$)



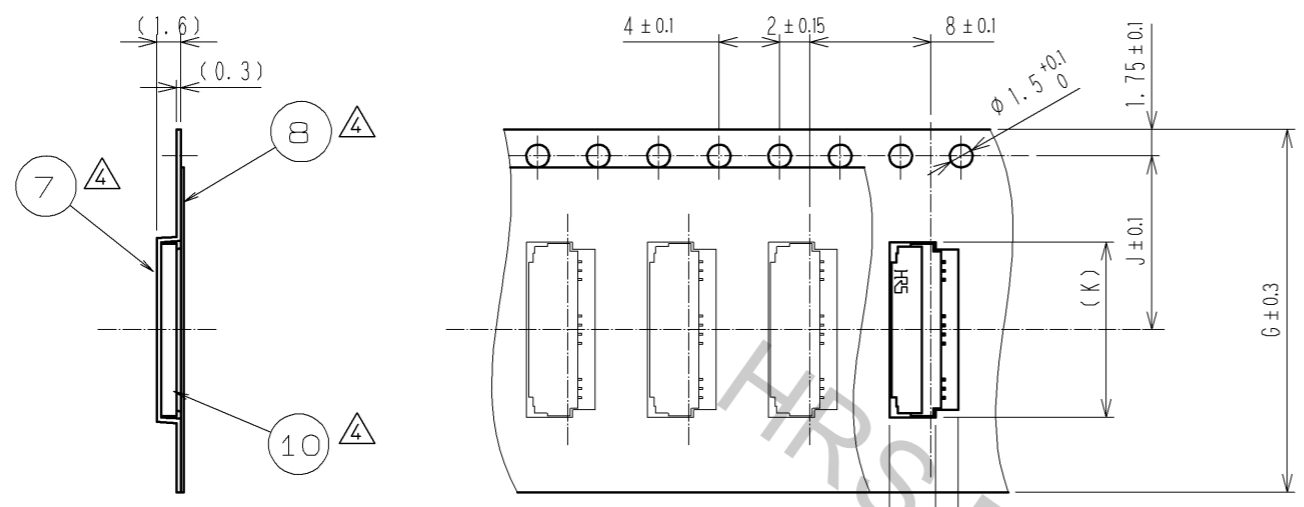
- NOTE
- LEAD CO-PLANARITY INCLUDING REINFORCED METAL FITTINGS SHALL BE 0.1 MAX.
 - TO BE DELIVERED WITH TAPE AND REEL PACKAGES.
SEE ATTACHED PACKAGING SPECIFICATIONS FOR DETAILS.
 - NOTE THAT PREVENTIVE HOLE FOR SINK MARK COULD BE ADDED FOR IMPROVEMENT.
THE QUALITY REMAINS GOOD, EVEN WITH THE DARK SPOTS, WHICH COULD OCCASIONALLY OCCUR ON MOLDED PLASTIC.

| | | | | | | | |
|-------------------------|-----------------------------------|--|-------------|--|--|---------------------------|--------------------|
| 5 | PHOSPHOR BRONZE (PLATED MATERIAL) | TIN PLATING (REFLOW FINISHED) 1μm MIN OVER COPPER 0.5μm MIN | 10 | (CONNECTOR) | | | |
| | | | 9 | POLYSTYRENE | | | |
| 4 | PHOSPHOR BRONZE | GOLD PLATING 0.05μm MIN OVER NICKEL 1μm MIN | 8 | POLYESTER | | | |
| 3 | PHOSPHOR BRONZE | GOLD PLATING 0.05μm MIN OVER NICKEL 1μm MIN | 7 | POLYSTYRENE | | | |
| 2 | PA | DEEP BROWN UL94V-0 | 6 | PHOSPHOR BRONZE (PLATED MATERIAL) | TIN PLATING (REFLOW FINISHED) 1μm MIN OVER COPPER 0.5μm MIN | | |
| 1 | LCP | BLACK UL94V-0 | | | | | |
| NO. | MATERIAL | FINISH . REMARKS | NO. | MATERIAL | FINISH . REMARKS | | |
| UNITS mm | | SCALE 7 : 1 | COUNT 27 | DESCRIPTION OF REVISIONS DIS-F-006028 | DESIGNED TY. MOGI | CHECKED NM. NISHIMATSU | DATE 12. 02. 16 |
| APPROVED : MO. ISHIDA | | | 05. 01. 05 | DRAWING NO. EDC3-154381-03 | | | |
| CHECKED : YN. TAKASHITA | | | 05. 01. 05 | PART NO. FH26-***S-0.3SHW(05) | | | |
| DESIGNED : SJ. OKAMURA | | | 05. 01. 05 | CODE NO. CL580 | | | |
| DRAWN : SJ. OKAMURA | | | 05. 01. 05 | | | | |

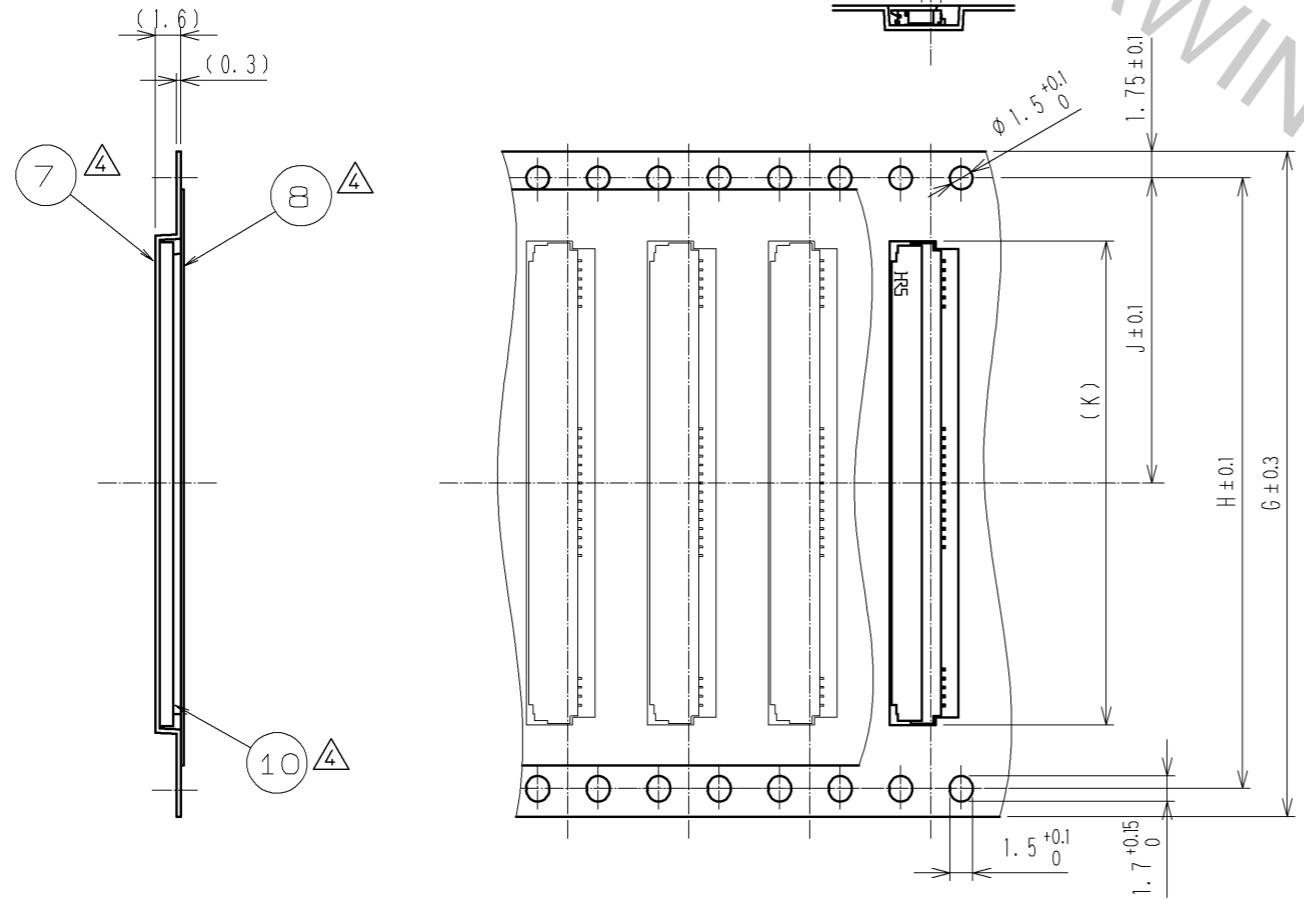
Sep.1.2018 Copyright 2018 HIROSE ELECTRIC CO., LTD. All Rights Reserved.
 In case that the application demands a high level of reliability, such as automotive,
 please contact a company representative for further information.

EMBOSSED CARRIER TAPE DIMENSION (2:1)

● 24mmMAX.

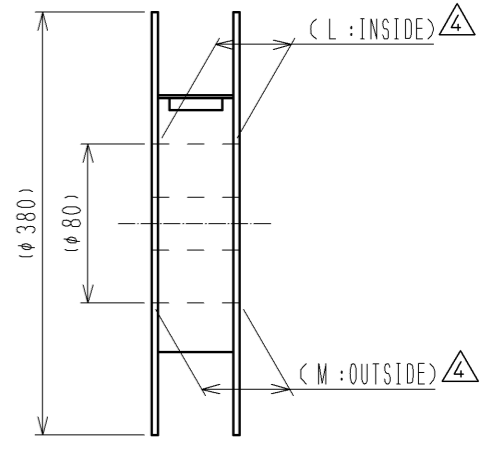
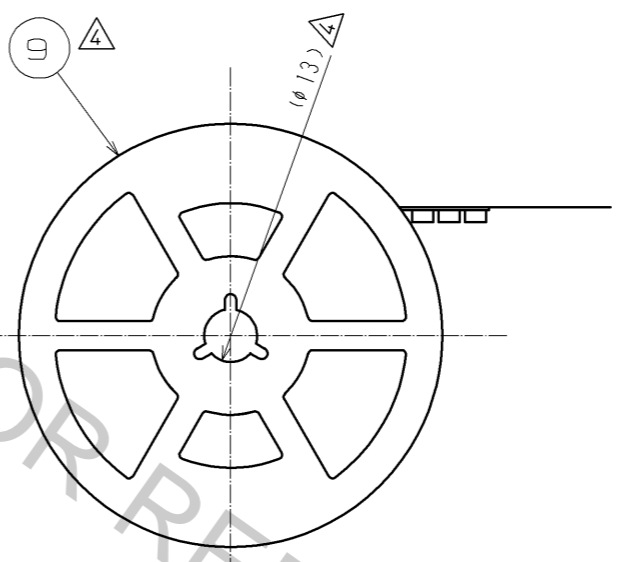


● 32mmMIN.

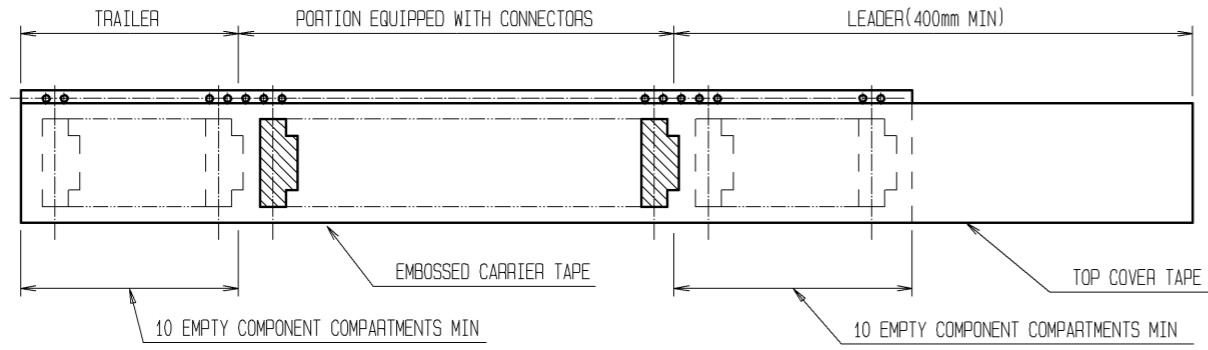


DIRECTION OF UNREELING

REEL DIMENSION (FREE)



NOTE 4 THE DIMENSIONS IN PARENTHESES ARE FOR REFERENCE.
 5 PER REEL : 5000 CONNECTORS.
 6 REFER TO JIS C 0806 (PACKAGING OF COMPONENTS FOR AUTOMATIC HANDLING.)



| | | | |
|------------|-------------|----------------------|-------|
| HRS | DRAWING NO. | EDC3-154381-03 | 4/3/6 |
| | PART NO. | FH26-**S-0.3SHW(C05) | |
| | CODE NO. | CL0580 | |
| | | | |

4

| PART NUMBER | CL | NUMBER OF CONTACT | DIMENSION OF CONNECTOR, FPC PATTERN AND METAL MASK | | | | | | DIMENSION OF DRAWING FOR PACKING | | | | | |
|---------------------|-----------------|-------------------|--|------|------|-------|------|------|----------------------------------|------|------|------|------|------|
| | | | A | B | C | D | E | F | G | H | J | K | L | M |
| FH26-13S-0.3SHW(05) | CL580-0209-3-05 | 13 | 5.4 | 3.0 | 3.6 | 4.23 | 4.9 | 4.2 | 16 | - | 7.5 | 5.6 | 17.4 | 21.4 |
| FH26-15S-0.3SHW(05) | CL580-0218-4-05 | 15 | 6.0 | 3.6 | 4.2 | 4.83 | 5.5 | 4.8 | 16 | - | 7.5 | 6.2 | 17.4 | 21.4 |
| FH26-17S-0.3SHW(05) | CL580-0217-1-05 | 17 | 6.6 | 4.2 | 4.8 | 5.43 | 6.1 | 5.4 | 16 | - | 7.5 | 6.8 | 17.4 | 21.4 |
| FH26-21S-0.3SHW(05) | CL580-0207-8-05 | 21 | 7.8 | 5.4 | 6.0 | 6.63 | 7.3 | 6.6 | 16 | - | 7.5 | 8.0 | 17.4 | 21.4 |
| FH26-23S-0.3SHW(05) | CL580-0203-7-05 | 23 | 8.4 | 6.0 | 6.6 | 7.23 | 7.9 | 7.2 | 16 | - | 7.5 | 8.6 | 17.4 | 21.4 |
| FH26-25S-0.3SHW(05) | CL580-0208-0-05 | 25 | 9.0 | 6.6 | 7.2 | 7.83 | 8.5 | 7.8 | 16 | - | 7.5 | 9.2 | 17.4 | 21.4 |
| FH26-27S-0.3SHW(05) | CL580-0204-0-05 | 27 | 9.6 | 7.2 | 7.8 | 8.43 | 9.1 | 8.4 | 16 | - | 7.5 | 9.8 | 17.4 | 21.4 |
| FH26-29S-0.3SHW(05) | CL580-0216-9-05 | 29 | 10.2 | 7.8 | 8.4 | 9.03 | 9.7 | 9.0 | 24 | - | 11.5 | 10.4 | 25.4 | 29.4 |
| FH26-31S-0.3SHW(05) | CL580-0214-3-05 | 31 | 10.8 | 8.4 | 9.0 | 9.63 | 10.3 | 9.6 | 24 | - | 11.5 | 11.0 | 25.4 | 29.4 |
| FH26-33S-0.3SHW(05) | CL580-0210-2-05 | 33 | 11.4 | 9.0 | 9.6 | 10.23 | 10.9 | 10.2 | 24 | - | 11.5 | 11.6 | 25.4 | 29.4 |
| FH26-35S-0.3SHW(05) | CL580-0205-2-05 | 35 | 12.0 | 9.6 | 10.2 | 10.83 | 11.5 | 10.8 | 24 | - | 11.5 | 12.2 | 25.4 | 29.4 |
| FH26-37S-0.3SHW(05) | CL580-0224-7-05 | 37 | 12.6 | 10.2 | 10.8 | 11.43 | 12.1 | 11.4 | 24 | - | 11.5 | 12.8 | 25.4 | 29.4 |
| FH26-39S-0.3SHW(05) | CL580-0201-1-05 | 39 | 13.2 | 10.8 | 11.4 | 12.03 | 12.7 | 12.0 | 24 | - | 11.5 | 13.4 | 25.4 | 29.4 |
| FH26-41S-0.3SHW(05) | CL580-0206-5-05 | 41 | 13.8 | 11.4 | 12.0 | 12.63 | 13.3 | 12.6 | 24 | - | 11.5 | 14.0 | 25.4 | 29.4 |
| FH26-45S-0.3SHW(05) | CL580-0211-5-05 | 45 | 15.0 | 12.6 | 13.2 | 13.83 | 14.5 | 13.8 | 24 | - | 11.5 | 15.2 | 25.4 | 29.4 |
| FH26-51S-0.3SHW(05) | CL580-0200-9-05 | 51 | 16.8 | 14.4 | 15.0 | 15.63 | 16.3 | 15.6 | 24 | - | 11.5 | 17.0 | 25.4 | 29.4 |
| FH26-55S-0.3SHW(05) | CL580-0221-9-05 | 55 | 18.0 | 15.6 | 16.2 | 16.83 | 17.5 | 16.8 | 32 | 28.4 | 14.2 | 18.2 | 33.4 | 37.4 |
| FH26-57S-0.3SHW(05) | CL580-0212-8-05 | 57 | 18.6 | 16.2 | 16.8 | 17.43 | 18.1 | 17.4 | 32 | 28.4 | 14.2 | 18.8 | 33.4 | 37.4 |
| FH26-61S-0.3SHW(05) | CL580-0213-0-05 | 61 | 19.8 | 17.4 | 18.0 | 18.63 | 19.3 | 18.6 | 32 | 28.4 | 14.2 | 20.0 | 33.4 | 37.4 |
| FH26-71S-0.3SHW(05) | CL580-0202-4-05 | 71 | 22.8 | 20.4 | 21.0 | 21.63 | 22.3 | 21.6 | 44 | 40.4 | 20.2 | 23.0 | 45.4 | 49.4 |

| | | | |
|------------|-------------|---------------------|-----|
| HRS | DRAWING NO. | EDC3-154381-03 | 4/6 |
| | PART NO. | FH26-**S-0.3SHW(05) | |
| | CODE NO. | CL0580 | |

Sep.1.2018 Copyright 2018 HIROSE ELECTRIC CO., LTD. All Rights Reserved.
 In case that the application demands a high level of reliability, such as automotive,
 please contact a company representative for further information.

This connector is small and thin and requires delicate and careful handling. Read through the instructions shown below and handle the connector properly. Each values indicating here are for reference and may differ from standard value.

[INSTRUCTIONS FOR MOUNTING ON THE BOARD]

◆Warp of Board
Minimize warp of the board as much as possible.
Lead co-planarity including reinforced metal fittings is 0.1 mm or less.
Too much warp of the board may result in a soldering failure.

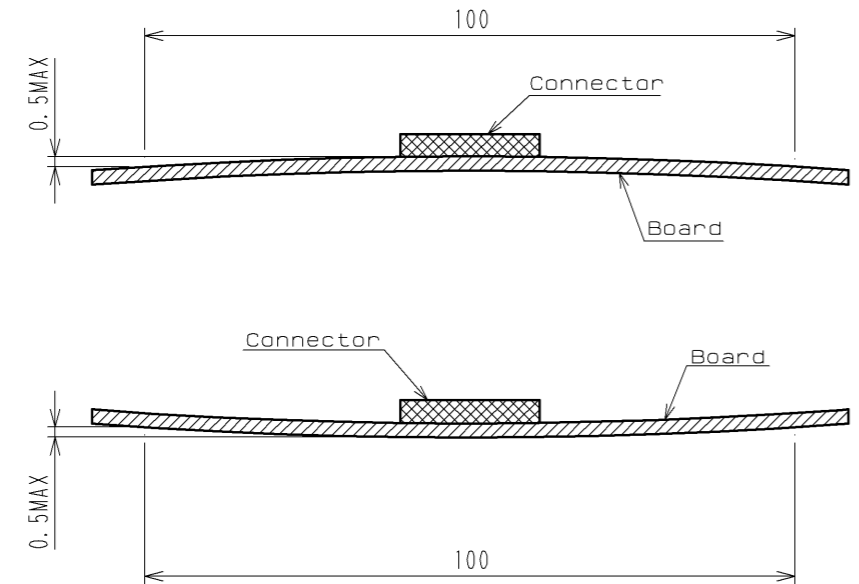
⚠Flexible board design
Please make sure to put a stiffener on the backside of the flexible board.
We recommend a glass epoxy material with the thickness of 0.3mm MIN.

⚠Load to Connector
Do not add 0.5N or greater external force when unreel or pick and place the connector etc. or it may get broken.
In addition, do not insert the FPC or operate the connector before mounting it.

⚠ [INSTRUCTIONS FOR PCB HANDLING AFTER MOUNTING THE CONNECTOR]

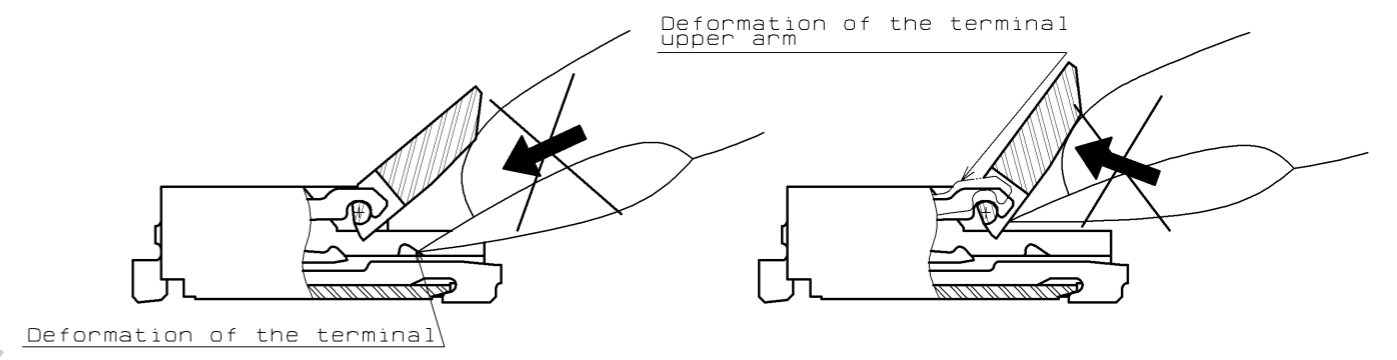
◆Load to Board
·Splitting a large board into several pieces
·Screwing the board
Avoid the handling described above so that no force is exerted on the board during the assembly process. Otherwise, the connector may become defective.

◆Amount of Warp
The warp of a 100-mm wide board should be 0.5 mm or less.
The warp of board suffers stress on connector and the connector may become defective.



[INSTRUCTIONS ON INSERTING FPC AND CONNECTION]

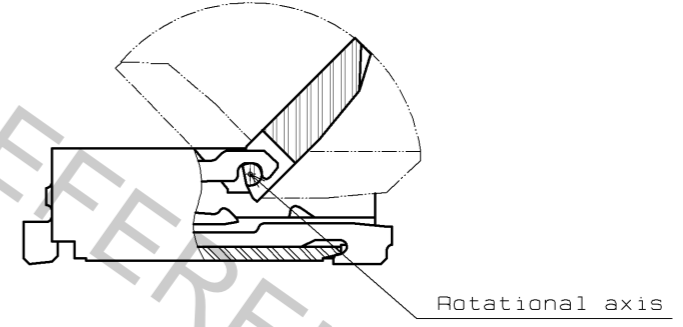
◆ Use of the Lock Lever
1. Be very careful not to apply excessive force when releasing the lock lever in the initial position (with no FPC inserted).
If you use your nail or finger as shown below, the terminals may be deformed.



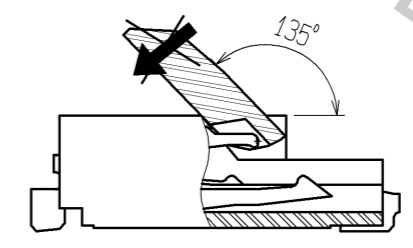
Example 1

Example 2

2. The lock lever rotates around the rotational axis as shown below. Rotate the lock lever.



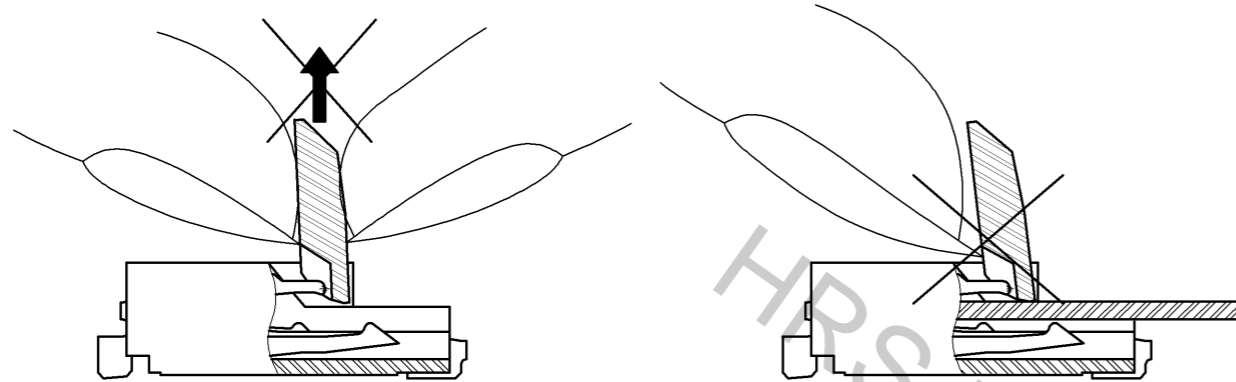
3. The lock lever will not open more than 135°. Do not apply any force backward beyond this point. Otherwise, the lock lever may come off or break.



| | | | |
|------------|-------------|----------------------|-------|
| HRS | DRAWING NO. | EDC3-154381-03 | ⚠ 5/6 |
| | PART NO. | FH26-**S-0.3SHW(C05) | |
| | CODE NO. | CL0580 | |
| | | | |

Sep.1.2018 Copyright 2018 HIROSE ELECTRIC CO., LTD. All Rights Reserved. In case that the application demands a high level of reliability, such as automotive, please contact a company representative for further information.

4. Move the lock lever at approximately the center.
5. Do not pinch or pick the lock lever to lift it as shown below. Otherwise, it may break.
(Do not carry out any operation other than rotating the lever as shown in 2 above.)



◆Direction of Contacts

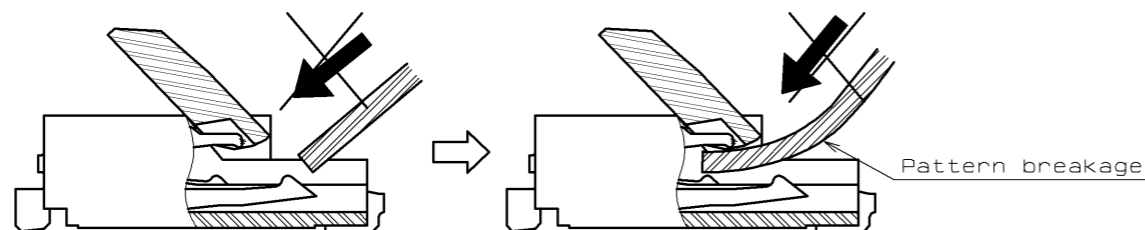
This connector has contacts on the bottom. Thus, insert the FPC with the exposed conductors face down.

◆Inserting the FPC

1. Insert the FPC horizontally along the surface and at a right angle to the connector.
Insert it properly to the very end.
If the FPC is inserted at a slant (incorrectly), the conductors may short-circuit due to pitch shift or the edge of the FPC may catch in the terminals, resulting in deformation of the terminals.
This connector has a ZIF structure, and its effective engagement length is 0.35 mm (when the recommended FPC nominal is used).
Use the lock lever carefully to prevent the FPC from dislocating after inserting it.
2. Do not insert the FPC diagonally from above.
If the FPC is inserted at a slant (incorrectly) as shown below in the FPC insertion process, the FPC may bend and patterns may break or the FPC may not insert completely, resulting in improper conduction.

※Keep a sufficient FPC insertion space in the stage of the layout in order to avoid incorrect FPC insertion.
Besides, it is not difficult to insert FPC correctly all the way to the end.
Design the proper layout of parts.

※Make adjustments with the FPC manufacturer for FPC bending performance and wire breakage.



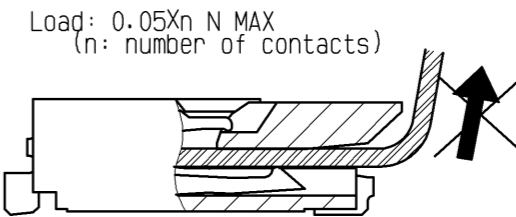
◆Checking the Locking Condition

In the locked condition, make sure that the lock lever is horizontal on the board surface.
Do not apply excessive force to it near the 0° position of the lever.
Otherwise, the terminals may be deformed. (Allowable force: 1 N or less)

[INSTRUCTIONS ON FPC LAYOUT AFTER CONNECTION]

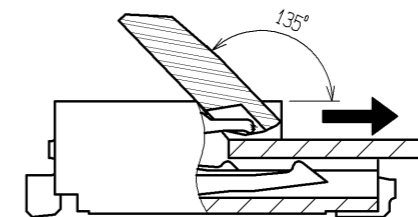
◆Load to FPC

Be very careful not to apply any force to the FPC after inserting it.
Otherwise, the connector may become unlocked or the FPC may break.
Fix the FPC, in particular, when loads are applied to it continuously.
Design the FPC layout with care not to bend it sharply near the insertion opening.



[INSTRUCTIONS ON REMOVING FPC]

◆Release the lock lever to remove the FPC.



[OTHER INSTRUCTIONS]

◆Instructions on Manual Soldering

- Follow the instructions shown below when soldering the connector manually during repair work, etc.
1. Do not perform reflow soldering or manual soldering with the FPC inserted into the connector.
 2. Do not heat the connector excessively. Be very careful not to let the soldering iron contact any parts other than connector leads. Otherwise, the connector may be deformed or melt.
 3. Do not use excessive solder (or flux).
If excessive solder (or flux) is used on the terminals, solder or flux may adhere to the contacts or rotating parts of the lock lever, resulting in poor contact or a rotation failure of the lock lever.
Supplying excessive solder to the reinforcing bracket may hinder lock lever rotation, resulting in breakage of the connector.

| | | | |
|------------|-------------|----------------------|-----|
| HRS | DRAWING NO. | EDC3-154381-03 | 4/6 |
| | PART NO. | FH26-**S-0.3SHW(C05) | |
| | CODE NO. | CL0580 | |
| | | | |

Sep.1.2018 Copyright 2018 HIROSE ELECTRIC CO., LTD. All Rights Reserved.
In case that the application demands a high level of reliability, such as automotive, please contact a company representative for further information.

Looking for pricing, stock, or lifecycle information?

Click below to explore more details on WIN SOURCE:

- ⊖ [View FH26-33S-0.3SHW\(05\) on WIN SOURCE](#)
- ⊖ [Hirose Electric Co Ltd Information](#)

Optimize Your Supply Chain with WIN SOURCE Solutions

- ✓ Global Sourcing Solution
- ✓ Obsolete Management
- ✓ Cost Control Management
- ✓ Shortage Management
- ✓ Alternative Solution
- ✓ Excess Inventory Management