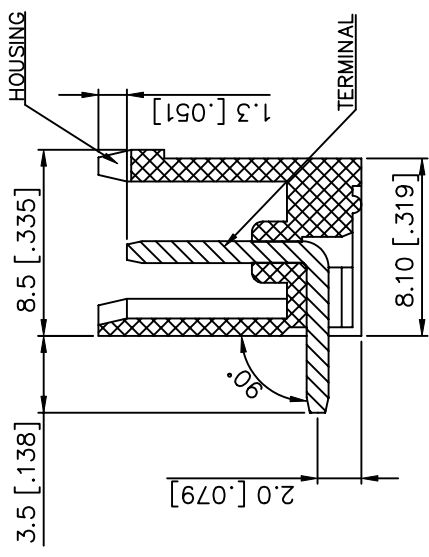
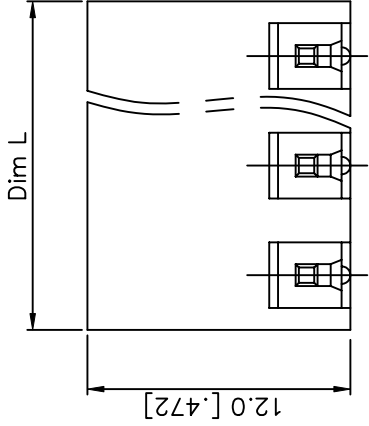
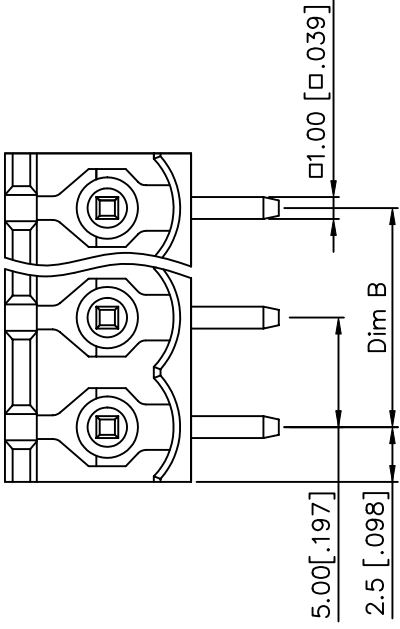




**THE DATASHEET OF
OQ1070510000G**



PRODUCT NUMBER	SERIES NAME	PITCH
20020109-GXXXXXLF	06-500	5.00 mm



(2.5 [.098])

12.0 [.472] (REF.)
(2.0 [.079])

POLE	2	3	4	5	6	7	8	
DIM.L	10.0 [.394]	15.0 [.590]	20.0 [.787]	25.0 [.984]	30.0 [1.181]	35.0 [1.377]	40.0 [1.574]	
DIM.B	5.0 [.196]	10.0 [.394]	15.0 [.590]	20.0 [.787]	25.0 [.984]	30.0 [1.181]	35.0 [1.377]	
Tol.	±0.15 [.006]							±0.25 [.010]
POLE	9	10	11	12	13	14	15	
DIM.L	45.0 [1.771]	50.0 [1.968]	55.0 [2.165]	60.0 [2.362]	65.0 [2.559]	70.0 [2.755]	75.0 [2.952]	
DIM.B	40.0 [1.574]	45.0 [1.771]	50.0 [1.968]	55.0 [2.165]	60.0 [2.362]	65.0 [2.559]	70.0 [2.755]	
Tol.	±0.25 [.010]							±0.30 [.012]
POLE	17	18	19	20	21	22	23	
DIM.L	85.0 [3.346]	90.0 [3.543]	95.0 [3.74]	100.0 [3.937]	105.0 [4.133]	110.0 [4.330]	115.0 [4.527]	
DIM.B	80.0 [3.149]	85.0 [3.346]	90.0 [3.543]	95.0 [3.740]	100.0 [3.937]	105.0 [4.133]	110.0 [4.330]	
Tol.	±0.30 [.012]							±0.40 [.016]

form: A4mmXLc

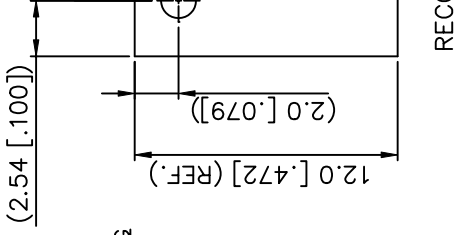
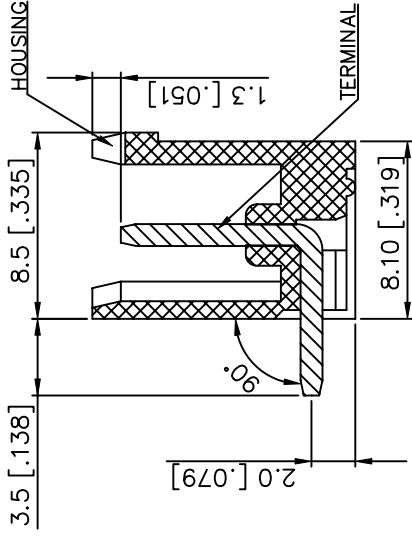
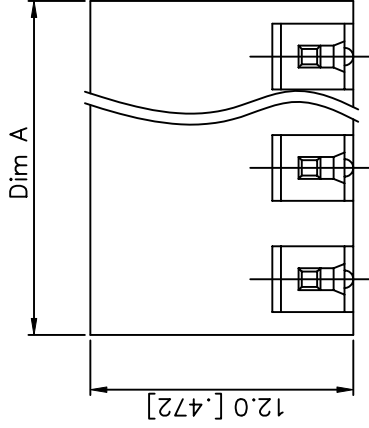
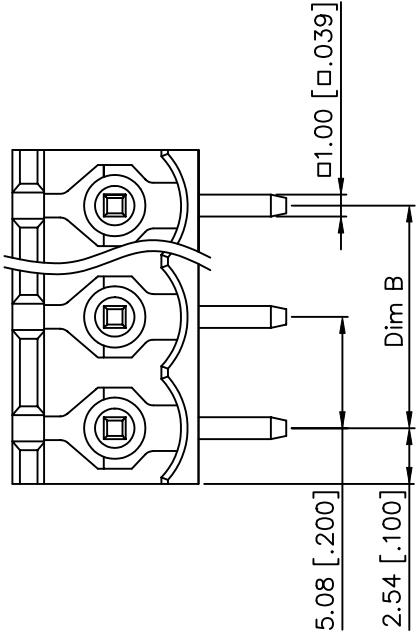
1 |

2

mat'l. code	tr	ecn no	dr	date	surface
					ASME Y14.5
					tolerances unless
					angles
					X.X
					X±1°
					dr WENDY CHEN
					enfr JASON HSIEH
					chr GARY HSIEH
					appd JOSEPH HSIEH
sheet	revision				
index	sheet				

PDM: Rev:1

PRODUCT NUMBER	SERIES NAME	PITCH
20020109-HXXXXXXLF	06-508	5.08 mm



POLE	2	3	4	5	6	7	8	
A	10.16[.400]	15.24[.600]	20.32[.800]	25.4[1.000]	30.48[1.200]	35.56[1.400]	40.64[1.600]	
B	5.08[.200]	10.16[.400]	15.24[.600]	20.32[.800]	25.4[1.000]	30.48[1.200]	35.56[1.400]	
Tol.	±0.15[.006]							±0.25[.010]
POLE	9	10	11	12	13	14	15	
A	45.72[1.800]	50.8[2.000]	55.88[2.200]	60.96[2.400]	66.04[2.600]	71.12[2.800]	76.2[3.000]	
B	40.64[1.600]	45.72[1.800]	50.8[2.000]	55.88[2.200]	60.96[2.400]	66.04[2.600]	71.12[2.800]	
Tol.	±0.25[.010]							±0.30[.012]
POLE	17	18	19	20	21	22	23	
A	86.36[3.400]	91.44[3.600]	96.52[3.800]	101.6[4.000]	106.68[4.200]	111.76[4.400]	116.84[4.600]	
B	81.28[3.200]	86.36[3.400]	91.44[3.600]	96.52[3.800]	101.6[4.000]	106.68[4.200]	111.76[4.400]	
Tol.	±0.30[.012]							±0.40[.016]

form: A4mmXLC

1

2

PDM: Rev:1

mat'l. code	tr	ecn no	dr	date	surface
					ASME Y14.5
					tolerances unless
					angles
					X±1°
					X.X
					dr WENDY CHEN
					engr JASON HSIEH
					chr GARY HSIEH
					appd JOSEPH HSIEH
sheet					revision
index					sheet

Looking for pricing, stock, or lifecycle information?

Click below to explore more details on WIN SOURCE:

- ⊖ [View OQ1070510000G on WIN SOURCE](#)
- ⊖ [Amphenol Anytek Information](#)

Optimize Your Supply Chain with WIN SOURCE Solutions

- ✓ Global Sourcing Solution
- ✓ Obsolete Management
- ✓ Cost Control Management
- ✓ Shortage Management
- ✓ Alternative Solution
- ✓ Excess Inventory Management