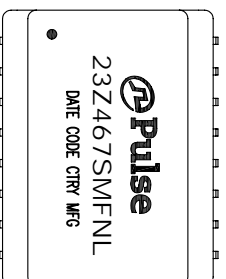




**THE DATASHEET OF
23Z467SMFNL**





ILITY

) +125°C

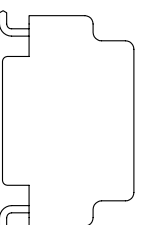
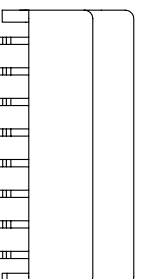
ITY AT 245°C REFLOW PROFILE

MOISTURE SENSITIVE

MAXIMUM THROUGH REFLOW SOLDER

NG ADD A "T" SUFFIX

SMFNL BECOMES 23Z467SMFNL(T).



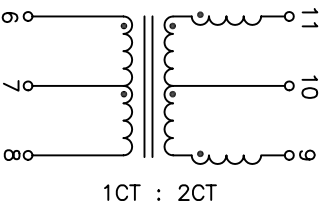
FINAL OUTLINE

All rights reserved. Pulse confidential & proprietary. (06/11/14)

TLA DRAWING	PS DRAWING	SHEET	PART NO.	DATASHEET REV.
33Z467SMFNL-11	PS-2755.001-A	1 OF 3	23Z467SMFNL	A

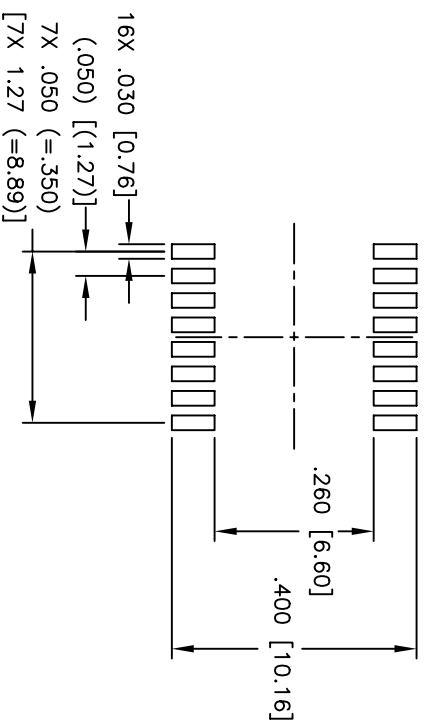
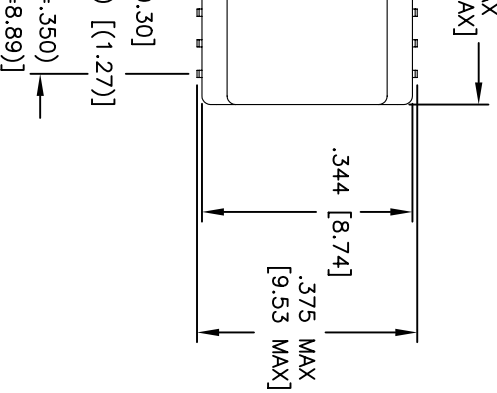
ELECTRICAL CHARACTERISTICS AT +25°C UNLESS OTHER SPECIFIED

PARAMETER	SPECIFICATIONS
OPERATING TEMPERATURE	0°C – 70 °C
POLARITY	PER SCHEMATIC
TURNS RATIO (F=10 KHZ)	(1-3) : (16-14) = 1CT : 1CT ±2% (6-8) : (11-9) = 1CT : 2CT ±2% (16-15) : (15-14) = 1:1±2% WITH PINS (1-3) SHORTED (11-10) : (10-9) = 1:1± 2% WITH PINS (6-8) SHORTED
COUPLING CAPACITANCE	(1-3)-(16-14) = 8.0 pF MAX. (6-8)-(11- 9) = 12.0 pF MAX. (V=20mV, F=100 KHz)
LEAKAGE INDUCTANCE	(1-3)-(16-14) = 0.3 uH MAX. (6-8)-(11- 9) = 0.20 uH MAX. (V=20mV, F=100 KHz)
LP (V=20mV, F=10 KHz)	(1-3) = 98 uH MIN. (11- 9) = 70 uH MIN. 15 - (16- 14) = 42 uH MIN.
DCR	(1-3), (16-14) = 0.6 OHM MAX. (6-8), (11-9) = 0.6 OHM MAX. (15-16), (15-14) = 0.3 OHM MAX. (10-11), (10-9) = 0.3 OHM MAX.
BETWEEN CHANNEL ISOLATION	1500 VAC FOR 60 SECONDS

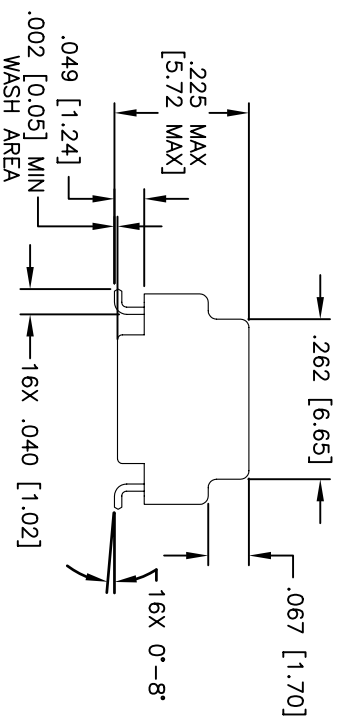
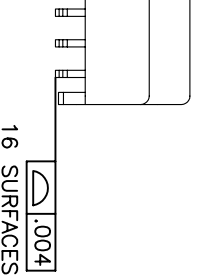


All rights reserved. Pulse confidential & proprietary. (06/11/14)

TILA DRAWING	PS DRAWING	SHEET	PART NO.	DATASHEET REV.
3Z467SMFNL-11	PS-2755.001-A	2 OF 3	23Z467SMFNL	A



SUGGESTED LAND PATTERN



WITH THE FOLLOWING REFERENCE ONLY.

All rights reserved. Pulse confidential & proprietary. (06/11/14)


ITLA DRAWING	PS DRAWING	SHEET	PART NO.	DATASHEET REV.
33Z467SMFNL-11	PS-2755.001-A	3 OF 3	23Z467SMFNL	A

SFFI ELECTRONICS.COM(Asia) PHONE:USA:858 674 8100, GERMANY:49 7032 78060, SINGAPORE:65 6287 8998, SHANGHAI:86 21 62787060, TAIWAN:886 3 4356768

Looking for pricing, stock, or lifecycle information?

Click below to explore more details on WIN SOURCE:

 [View 23Z467SMFNL on WIN SOURCE](#)

 [Pulse Information](#)

Optimize Your Supply Chain with WIN SOURCE Solutions

-  Global Sourcing Solution
-  Obsolete Management
-  Cost Control Management
-  Shortage Management
-  Alternative Solution
-  Excess Inventory Management